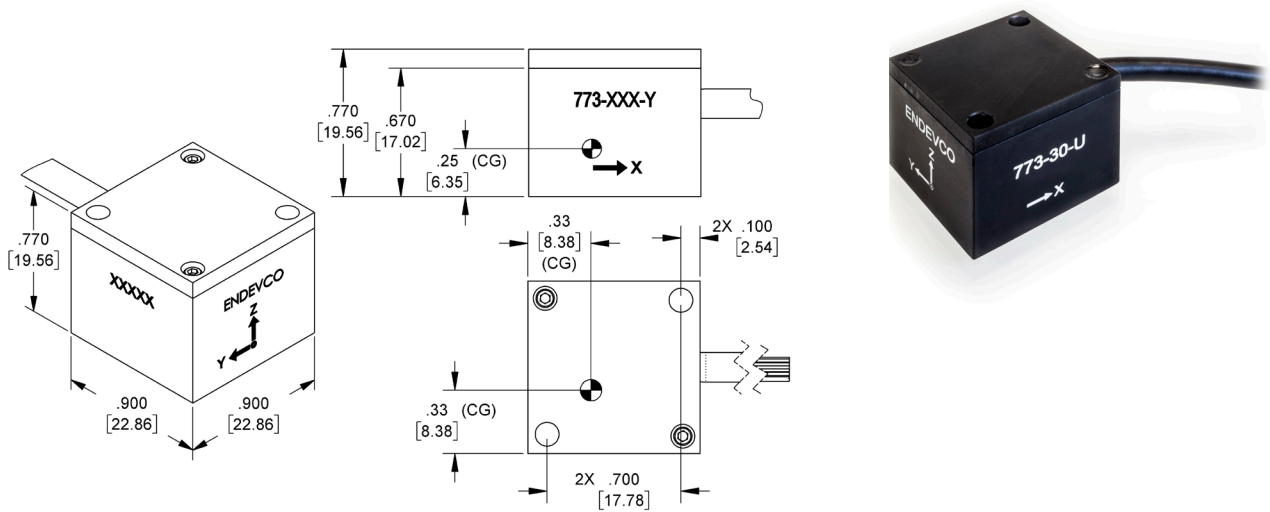


Triaxial low g DC accelerometer

Model 773



STANDARD TOLERANCE
INCHES [MILLIMETERS]
.XX = ± .02 [X = ± .5]
.XXX = ± .010 [XX = ± .25]

SOL

Key features

- 5, 10, 30, 50, 100 and 200 g ranges
- Each axis has separate power and ground
- Frequency response from DC up to 2,000 Hz
- Rugged housing and cable
- Operating temperature from 40° C to 100°C

Description

The ENDEVCO® Model 773 is a triaxial low g DC accelerometer that utilizes unique variable capacitance microsensors. This accelerometer is designed for measurement of relatively low level accelerations in automotive ride quality, motorsports and high speed rail applications where measurement of whole body motion immediately after the accelerometer is subjected to a shock motion and in the presence of severe vibrational inputs is required.

The 773 accelerometer is available with a choice of two power options. One option (U) allows for operation from 7V to 36V. The second option (R) allows for operation at a regulated excitation voltage of 5V. The accelerometer provides single-ended output with a 2.5V output bias voltage.

Triaxial low g DC accelerometer | Model 773

The following performance specifications are typical values, referenced at +75°F (+24°C) and 100 Hz, unless otherwise noted. Calibration data, traceable to National Institute of Standards and Technology (NIST), is supplied.

Specifications							
Dynamic characteristics	Units	-5	-10	-30	-50	-100	-200
Range	g	±5	±10	±30	±50	±100	±200
Sensitivity	mV/g	400	200	66	40	20	10
		±20	±10	±4	±2	±1.0	±1.0
Frequency response (±5%, ref 100 Hz) typical	Hz	0-200	0-750	0-750	0-750	0-1000	0-1000
Frequency response (±1dB, ref 100 Hz) max	Hz	0-300	0-1500	0-2000	0-2000	0-2000	0-2000
Frequency response (±3dB, ref 100 Hz) typical	Hz	0-550	0-2500	0-2800	0-2800	0-5000	0-5000
Zero measurand output		2500	2500	2500	2500	2500	2500
		±75	±75	±75	±75	±75	±75
Transverse sensitivity	%	3.0	3.0	3.0	3.0	3.0	3.0
Thermal zero shift (max)	%FSO [1]	±2.0	±2.0	±2.0	±2.0	±2.0	±2.0
-40°C to +100°C (-40°F to 212°F)							
Thermal sens shift (max)	%	±2.0	±2.0	±2.0	±2.0	±2.0	±2.0
-40°C to +100°C (-40°F to 212°F)							
Combined non-linearity (BFSL) and hysteresis	%FSO	±0.5	±0.5	±0.5	±0.5	±0.5	±0.5
Natural frequency, typ	Hz	1700	2700	5500	5500	9800	9800
Threshold (resolution) [2]	equiv. g's.	.0005	.001	.003	.005	.01	.02
Electrical characteristics							
Excitation voltage		5 Vdc (Regulated 5V supply required; Maximum 7V without damage)					
For option "R" supply voltage		7 to 36 Vdc (Maximum 45V without damage)					
For option "U" supply voltage		8mA max each axis, 24 mA max total					
Current drain		100 ohms max					
Output impedance		10K ohms resistance minimum					
Load		50 pF capacitance maximum					
Residual noise		50 µVrms typ, 100 uVrms max; 0.5 to 100 Hz					
		500 µVrms typ, 1.0 mVrms max; 0.5Hz to 10 kHz					
Input voltage protection		Reverse polarity protected (for "U" option only)					
Insulation resistance		100 Meg Ohms minimum at 50 Vdc					
Case to leads shorted together							
Shield to leads shorted together							
Physical characteristics							
Weight (typical)		24 grams (without cable) plus cable at 20 grams/meter					
Case material		Anodized aluminum alloy.					
Cable type		Integral 10 conductor, # 28 AWG PVC insulated leads, Shielded with black PVC jacket.					
Mounting/torque		Mounting 2x #4 or M3 Screws / 6 lb-in (0.7 N-m)					
Environmental characteristics							
Shock Limit		10000g (0.15 mS haversine pulse)					
Temperature							
Operating Range		-40°F to +212°F (-40°C to +100°C)					
Storage Range		-40°F to +212°F (-40°C to +100°C)					
Humidity		IP67					
Calibration data							
Sensitivity		Measured at 1g and 100Hz for the -5; Measured at 10g and 100Hz for all other ranges					
Frequency response		Measured at 1g, 20 to 1000Hz for the -5; Measured at 10g, 20 to 10,000Hz for all other ranges					
Zero measurand output		Measured at room temperature					

Triaxial low g DC accelerometer | Model 773

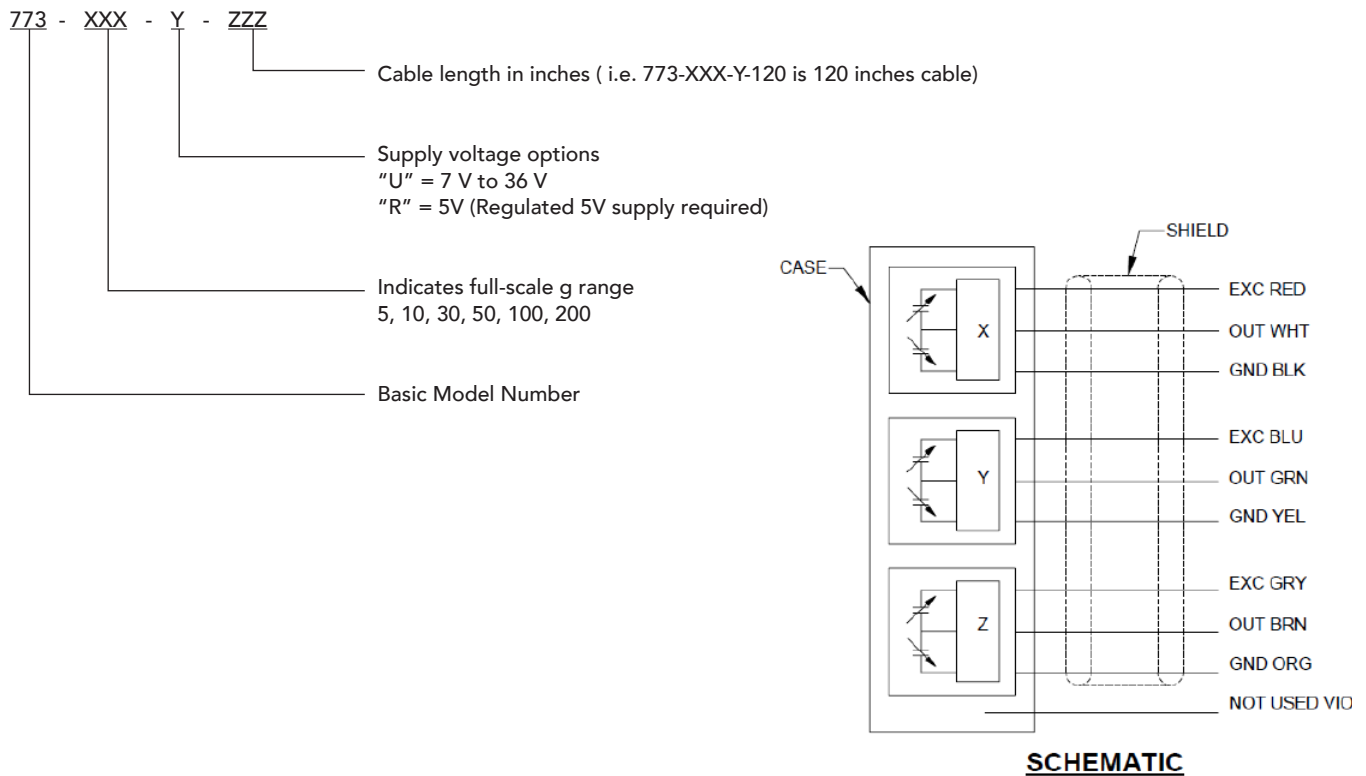
Accessories		
Product	Description	773
EH864	4-40 Socket Head Cap Screw, 1" length, 2x	Included
EHW289	Washer, 2x	Included

Ordering information

- Maintain high levels of precision and accuracy using Endevco's factory calibration services. Call Endevco's inside sales force at 866-ENDEVCO for recommended intervals, pricing and turn-around time for these services as well as for quotations on our standard products.

Notes

- Full scale output (FSO) is nominally 4 volts
- Threshold = [2x Max residual noise, .5 to 100Hz] / sensitivity
- Model number definition:



10869 NC Highway 903, Halifax, NC 27839 USA

endevco.com | sales@endevco.com | 866 363 3826

© 2024 PCB Piezotronics - all rights reserved. PCB Piezotronics is a wholly-owned subsidiary of Amphenol Corporation. Endevco is an assumed name of PCB Piezotronics of North Carolina, Inc., which is a wholly-owned subsidiary of PCB Piezotronics, Inc. Accumetrics, Inc. and The Modal Shop, Inc. are wholly-owned subsidiaries of PCB Piezotronics, Inc. IMI Sensors and Larson Davis are Divisions of PCB Piezotronics, Inc. Except for any third party marks for which attribution is provided herein, the company names and product names used in this document may be the registered trademarks or unregistered trademarks of PCB Piezotronics, Inc., PCB Piezotronics of North Carolina, Inc. (d/b/a Endevco), The Modal Shop, Inc. or Accumetrics, Inc. Detailed trademark ownership information is available at www.pcb.com/trademarkownership.