



603 Series Low Cost ICP® Accelerometers

Versatile accelerometers designed for industrial applications

Highlights

Wide variety of options available to accommodate most industrial applications:

- Multiple sensitivity options available for both slow speed and impacting high speed applications.
- Integral polyurethane cable options available for submersible applications.
- Intrinsically safe and armored cable options available for hazardous environments.
- Dual output options available for simultaneous monitoring of both vibration and temperature.

Typical Applications

Industrial, permanent-mount applications:

- Vibration monitoring on plant and process machinery, including motors, pumps, gearboxes and bearings.



IMI Sensors has developed the 603 Series, a line of ICP® accelerometers for industrial vibration monitoring applications. All of the sensors in the product line include a shear-mode ceramic element housed in a rugged hermetically-welded stainless steel enclosure. All models include case-isolated electronics to eliminate noise issues.

Hazardous Area Approvals (EX / CS Versions):

CSA (Canada & US)

- AEx ia IIC T4 Class I, Division 1, Groups A, B, C, D
- AEx ia IIC T4 Class II, Division 1, Groups E, F, G
- AEx ia IIC T4 Class III, Division 1
- AEx nA IIC T4 Class I, Division 2, Groups A, B, C, D
- Ex ia IIC T4 Class I, Division 1, Groups A, B, C, D
- Ex ia IIC T4 Class II, Division 1, Groups E, F, G
- Ex ia IIC T4 Class III, Division 1
- Ex nL IIC T4 Class I, Division 2, Groups A, B, C, D

ATEX

- Ex ia IIC T4
- Ex ia IIC T4 Ga
- Ex nA IIC T4 Gc
- Ex nL IIC T4
- Eex ia IIC T4
- Eex nL IIC T4

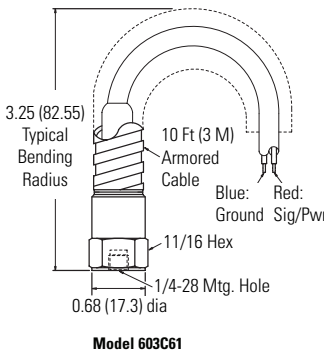
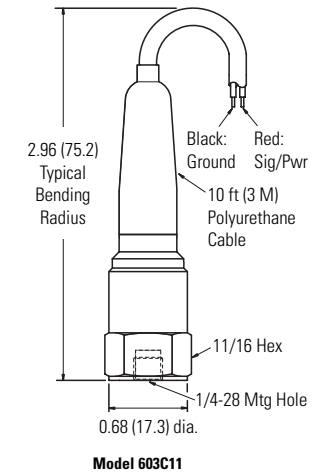
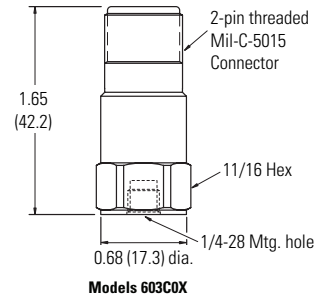


Low Cost
ICP® Accelerometers
Series 603

603 Series Low Cost ICP® Accelerometers



Technical Specifications						
	603C00	603C05	603C01	603C11	603C61	603C02
Performance						
Sensitivity	10 mV/g 1.02 mV/(m/s ²)	50 mV/g 5.1 mV/(m/s ²)		100 mV/g 10.2 mV/(m/s ²)		500 mV/g 51.0 mV/(m/s ²)
Measurement Range	±500 g ±4,905 m/s ²	±100 g ±981 m/s ²		±50 g ±490 m/s ²		±10 g ±98 m/s ²
Frequency Range (±3 dB)	0.5 to 10,000 Hz	1.2 to 10,000 Hz		0.5 to 10,000 Hz		0.5 to 3,000 Hz
Resonant Frequency	25,000 Hz					
Broadband Resolution	2,000 µg 19,620 µm/s ²	750 µg 7,358 µm/s ²		350 µg 3,434 µm/s ²		300 µg 2,943 µm/s ²
Non-Linearity						±1%
Transverse Sensitivity						≤7%
Environmental						
Overload Limit (Shock)	5,000 g pk 49,050 m/s ² pk					
Temperature Range	-65 to +250 °F -54 to +121 °C			-65 to +200 °F -54 to +93 °C		
Enclosure Rating	IP68					
Electrical						
Settling Time	≤ 3.0 sec	≤ 2.0 sec	≤ 2.0 sec		≤ 5.0 sec	
Discharge Time Constant	≥ 0.4 sec		≥ 0.3 sec			
Excitation Voltage	18 to 28 VDC					
Constant Current Excitation	2 to 20 mA					
Output Impedance	< 150 ohm				< 500 ohm	
Output Bias Voltage	8 to 12 VDC					
Spectral Noise (10 Hz)	85.0 µg/√Hz	18.0 µg/√Hz	8.0 µg/√Hz			
Spectral Noise (100 Hz)	20.0 µg/√Hz	10.0 µg/√Hz	5.0 µg/√Hz		3.0 µg/√Hz	
Spectral Noise (1 kHz)	5.0 µg/√Hz	7.0 µg/√Hz	4.0 µg/√Hz		3.0 µg/√Hz	
Electrical Isolation (Case)	>10 ⁹ ohm					
Physical						
Sensing Element	Ceramic					
Sensing Geometry	Shear					
Housing Material	Stainless Steel					
Sealing	Welded Hermetic					
Mounting Thread	1/4-28 Female					
Mounting Torque	2 to 5 ft lb 2.7 to 6.8 N-m					
Electrical Connector	2-pin MIL-C-5015		Pigtails	Pigtails	2-pin MIL-C-5015	
Electrical Connector Position	Top		N/A		Top	
Cable Type	N/A		Polyurethane	Armored Polyurethane	N/A	
Cable Length	N/A		10 ft 3.0 m		N/A	
Size (Hex x Height)	0.69 x 1.65 in 18.0 x 42.2 mm		0.69 x 4.70 in 18.0 x 119.0 mm		0.69 x 1.65 in 18.0 x 42.2 mm	
Weight (without cable)	1.8 oz 51 gm					
Similar Models						
Hazardous Area Approved	EX603C00	EX603C05	CS603C01 EX603C01	EX603C11	EX603C61	EX603C02
Dual Output	N/A	N/A	TO603C01	TO603C11	N/A	TO603C02



3425 Walden Avenue, Depew, NY 14043-2495 USA

Toll-Free in the USA 800-959-4464

24-hour SensorLineSM 716-684-0003

Fax 716-684-3823 ■ Email imi@pcb.com

Website www.imi-sensors.com

ISO 9001 CERTIFIED ■ A2LA ACCREDITED to ISO 17025

© 2015 PCB Group, Inc. In the interest of constant product improvement, specifications are subject to change without notice. PCB, ECHO, ICP, Modally Tuned, Spindler, Swiveler and TORKDISC are registered trademarks of PCB Group. SoundTrack LXT, Spark and Blaze are registered trademarks of PCB Piezotronics. SensorLine is a service mark of PCB Group. All other trademarks are property of their respective owners.

IMI-603Series-1115

Printed in U.S.A.



IMI Sensors designs and manufactures a full line of industrial accelerometers, sensors, vibration switches, vibration transmitters, cables and accessories for predictive maintenance, continuous vibration monitoring, and machinery equipment protection. Products include rugged industrial ICP® accelerometers, 4-20 mA industrial vibration sensors and transmitters for 24/7 monitoring, electronic and mechanical vibration switches, the patented Bearing Fault Detector, high temperature accelerometers with UHT-12™ element to +1200 °F (+649 °C), 2-wire Smart Vibration Switch, and the patented Reciprocating Machinery Protector. CE approved and intrinsically safe versions are available for most products.

Visit www.imi-sensors.com to locate your nearest sales office.