

2

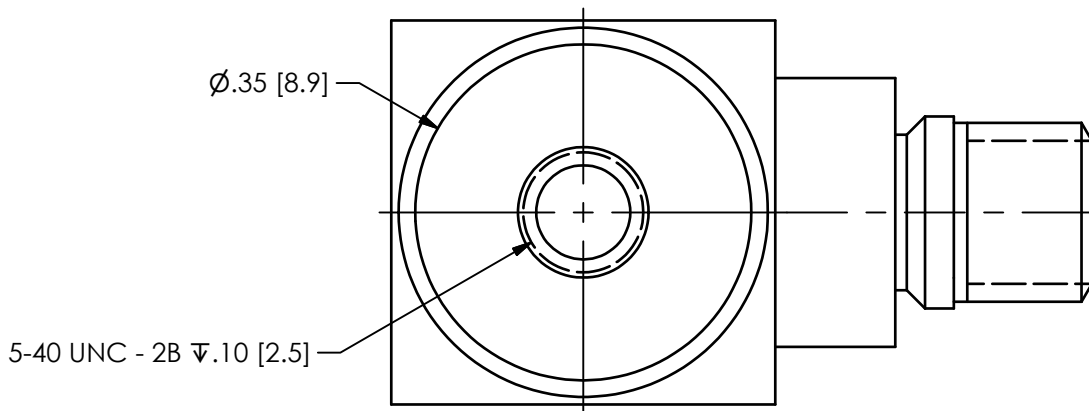
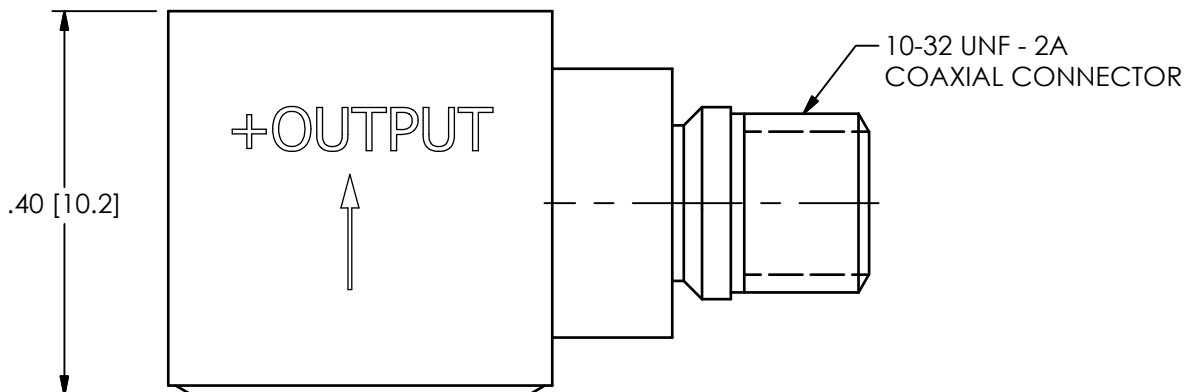
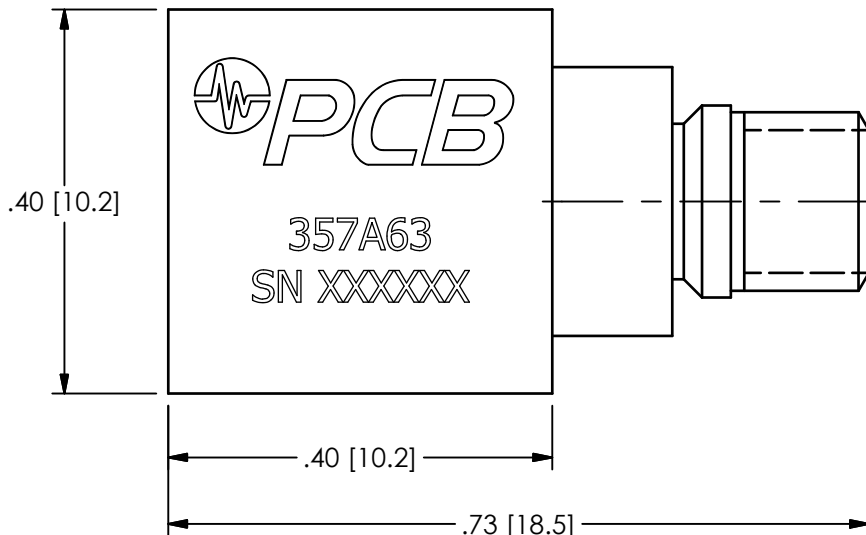
1

PCB Piezotronics Inc. claims proprietary rights in the information disclosed hereon. Neither it nor any reproduction thereof will be disclosed to others without the written consent of PCB Piezotronics Inc.

REVISIONS

REV	DESCRIPTION	DIN
A	REMOVED "MADE IN THE USA"	47541

62380



B

B

A

A

UNLESS OTHERWISE SPECIFIED TOLERANCES ARE:

DRAWN		CHECKED		ENGINEER	
KRM	12/11/17	KRM	12/11/17	JJD	12/11/17



3425 WALDEN AVE. DEPEW, NY 14043
(716) 684-0001 E-MAIL: sales@pcb.com

DIMENSIONS IN INCHES
DECIMALS XX $\pm .03$ XXX $\pm .010$
ANGLES ± 2 DEGREES

DIMENSIONS IN MILLIMETERS [IN BRACKETS]
DECIMALS X ± 0.8 XX ± 0.25
ANGLES ± 2 DEGREES

TITLE
OUTLINE DRAWING
MODEL 357A63

CODE IDENT. NO.	DWG. NO.
52681	62380

FILLETS AND RADII
.003 - .005

FILLETS AND RADII
0.07 - 0.13

SCALE: 5X SHEET 1 OF 1

2

1

1