

PCB Piezotronics Inc. claims proprietary rights in the information disclosed hereon. Neither it nor any reproduction thereof will be disclosed to others without written consent of PCB Piezotronics Inc.

REVISIONS

REV	DESCRIPTION	ECN	DATE	APP'D
NR	RELEASED TO DRAFTING		9/25/02	DM
A	UPDATED NOTES	25626	4/10/07	EB462

20712

SOFT IMPACT CAP
(BLACK)

HARD IMPACT CAP
(ST STL)

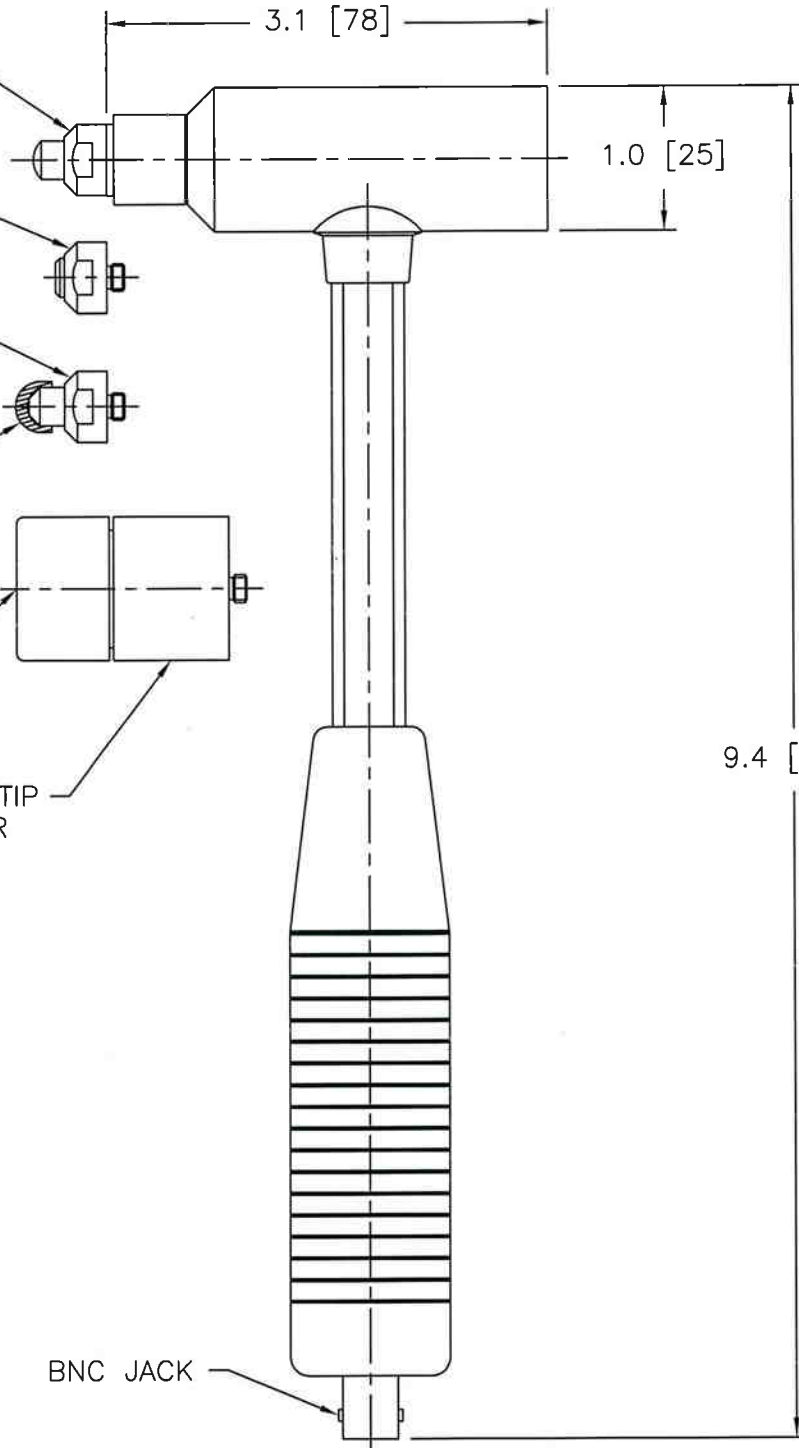
MEDIUM IMPACT CAP
(WHITE PLASTIC)

FORMED TIP COVER
(BLUE)

LARGE SUPER SOFT
IMPACT CAP
(GRAY)

IMPACT TIP
ADAPTOR

BNC JACK



UNLESS SPECIFIED TOLERANCES		DRAWN				MFG		PCB PIEZOTRONICS™	
DIMENSIONS IN INCHES	DIMENSIONS IN MILLIMETERS [IN BRACKETS]	822S	4/10/07	MY	4/23/07	3425 WALDEN AVE. DEPEW, NY 14043 (716) 684-0001 EMAIL: SALES@PCB.COM			
DECIMALS XX ±.03 XXX ±.010	DECIMALS X ±0.8 XX ±0.25	CHK'D	EB	ENGR	CC	CODE IDENT. NO.		20712	
ANGLES ±2 DEGREES	ANGLES ±2 DEGREES	APP'D	SS	SALES	4/23/07	DWG. NO.		52681	
FILLETS AND RADII .003 - .005	FILLETS AND RADII [0.07 - 0.13]	TITLE				SCALE: 1.334X		SHEET 1 OF 1	
		OUTLINE DRAWING MODALLY TUNED IMPULSE HAMMER							