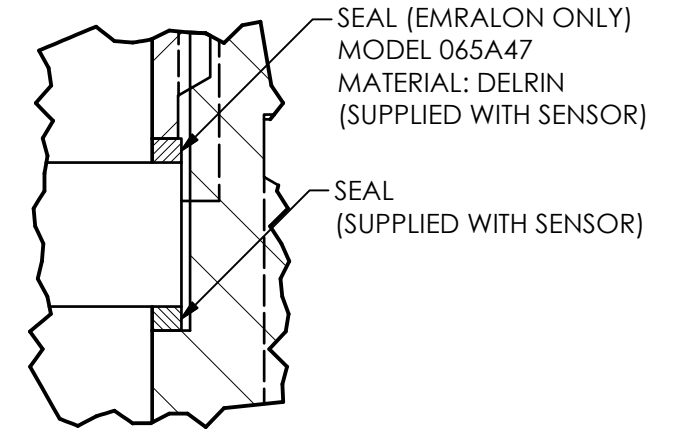
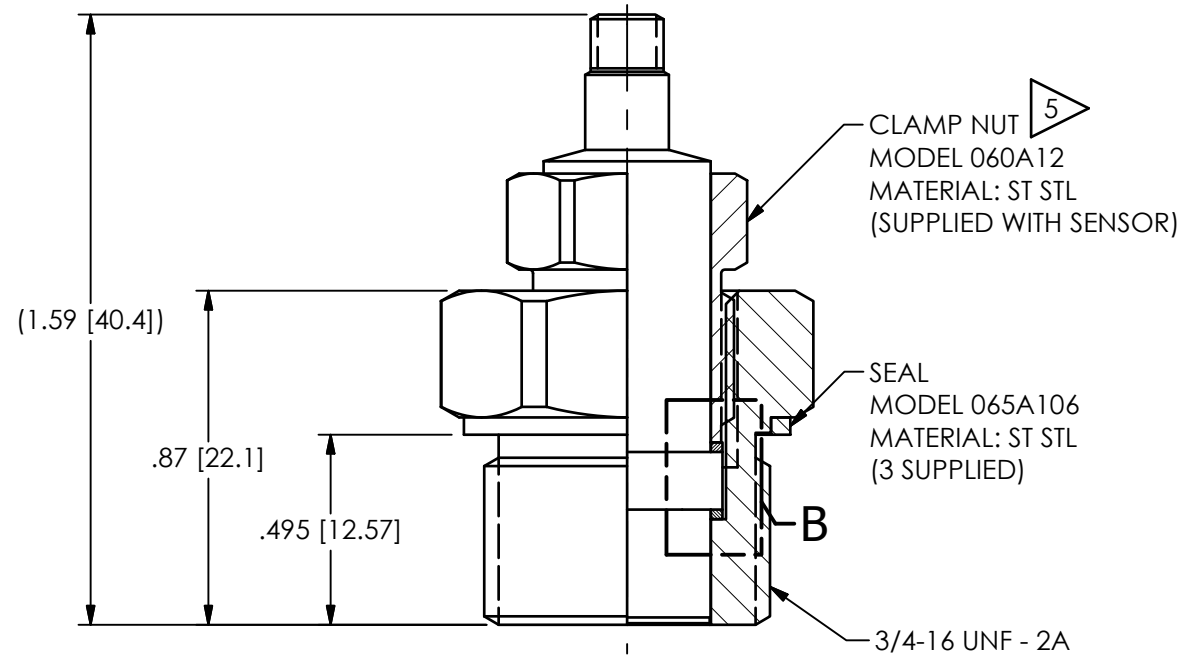
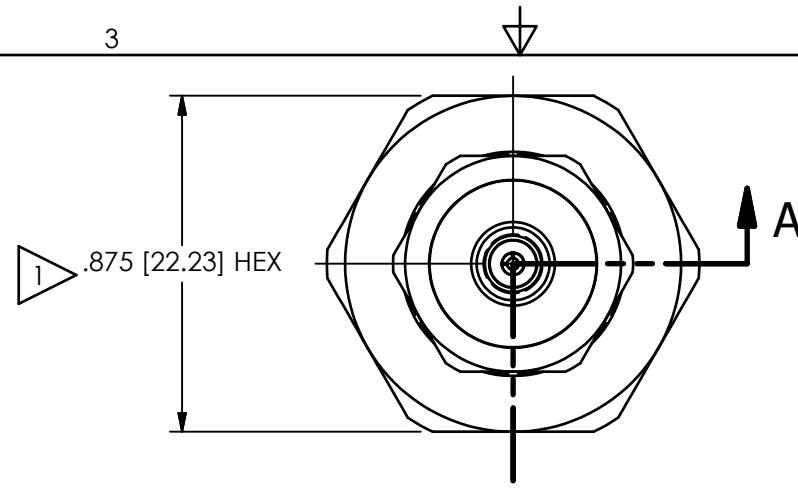


PCB Piezotronics Inc. claims proprietary rights in the information disclosed hereon. Neither it nor any reproduction thereof will be disclosed to others without the written consent of PCB Piezotronics Inc.

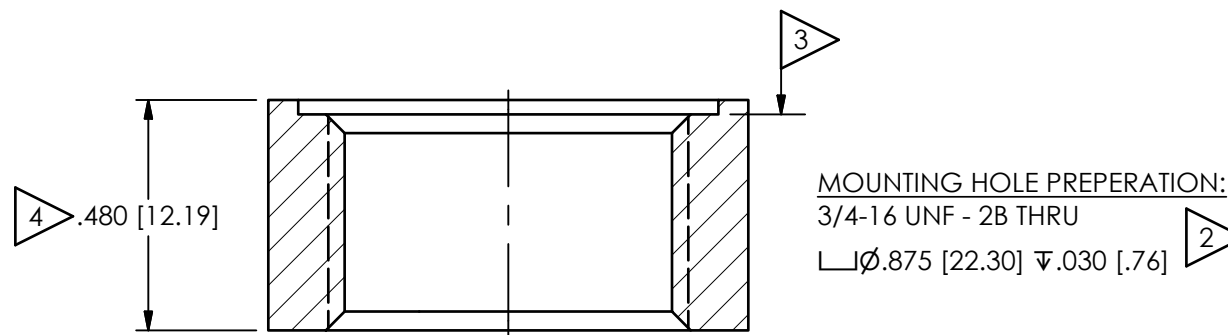
6063

REVISIONS

| REV | DESCRIPTION | DIN |
|-----|--------------|-------|
| C | ADDED NOTE 5 | 48296 |



DETAIL B
SCALE 5X



- 5 MOUNTING TORQUE ON 9/16 HEX, 5-6 ft-lbs [.691-.830 M kG]
- 4 DIMENSIONS SHOWN ARE FOR .480 [12.19] THICK WALL COUNTERBORE THICKER WALLS
- 3 SEAL SURFACE SHOULD BE FLAT AND FREE OF TOOLS MAKRS WITH A 63 FINSIH
- 2 DRILL PERPENDICULAR TO MOUNTING SURFACE TO WITHIIN ±1°
- 1 RECOMMENDED MOUNTING TORQUE ON .875 [22.22] HEX 7-8 ft-lbs [10-11 Nm]

| UNLESS OTHERWISE SPECIFIED TOLERANCES ARE: | | DRAWN | | CHECKED | | ENGINEER | |
|--|---|---|--------|------------------|--------|--|--------|
| DIMENSIONS IN INCHES | DIMENSIONS IN MILLIMETERS [IN BRACKETS] | KRM | 6/6/18 | KRM | 6/6/18 | MJK | 6/6/18 |
| DECIMALS XX ±.01 XXX ±.005 | DECIMALS X ±.03 XX ±.013 | TITLE INSTALLATION DRAWING MODEL 061A60 THREAD ADAPTOR | | | | | |
| ANGLES ± 2 DEGREES | ANGLES ± 2 DEGREES | | | | | | |
| FILLETS AND RADII .003 - .005 | FILLETS AND RADII 0.07 - 0.13 | CODE IDENT. NO. 52681 | | DWG. NO. 6063 | | 3425 WALDEN AVE. DEPEW, NY 14043 (716) 684-0001 E-MAIL: sales@pcb.com | |
| | | SCALE: 2.5X | | SHEET 1 OF 1 | | | |

PCB PIEZOTRONICS™

3425 WALDEN AVE. DEPEW, NY 14043
(716) 684-0001 E-MAIL: sales@pcb.com

CODE IDENT. NO. 52681
DWG. NO. 6063

SCALE: 2.5X SHEET 1 OF 1