

PCB Piezotronics Inc. claims proprietary rights in the information disclosed herein. Neither it nor any reproduction thereof will be disclosed to others without the written consent of PCB Piezotronics Inc.

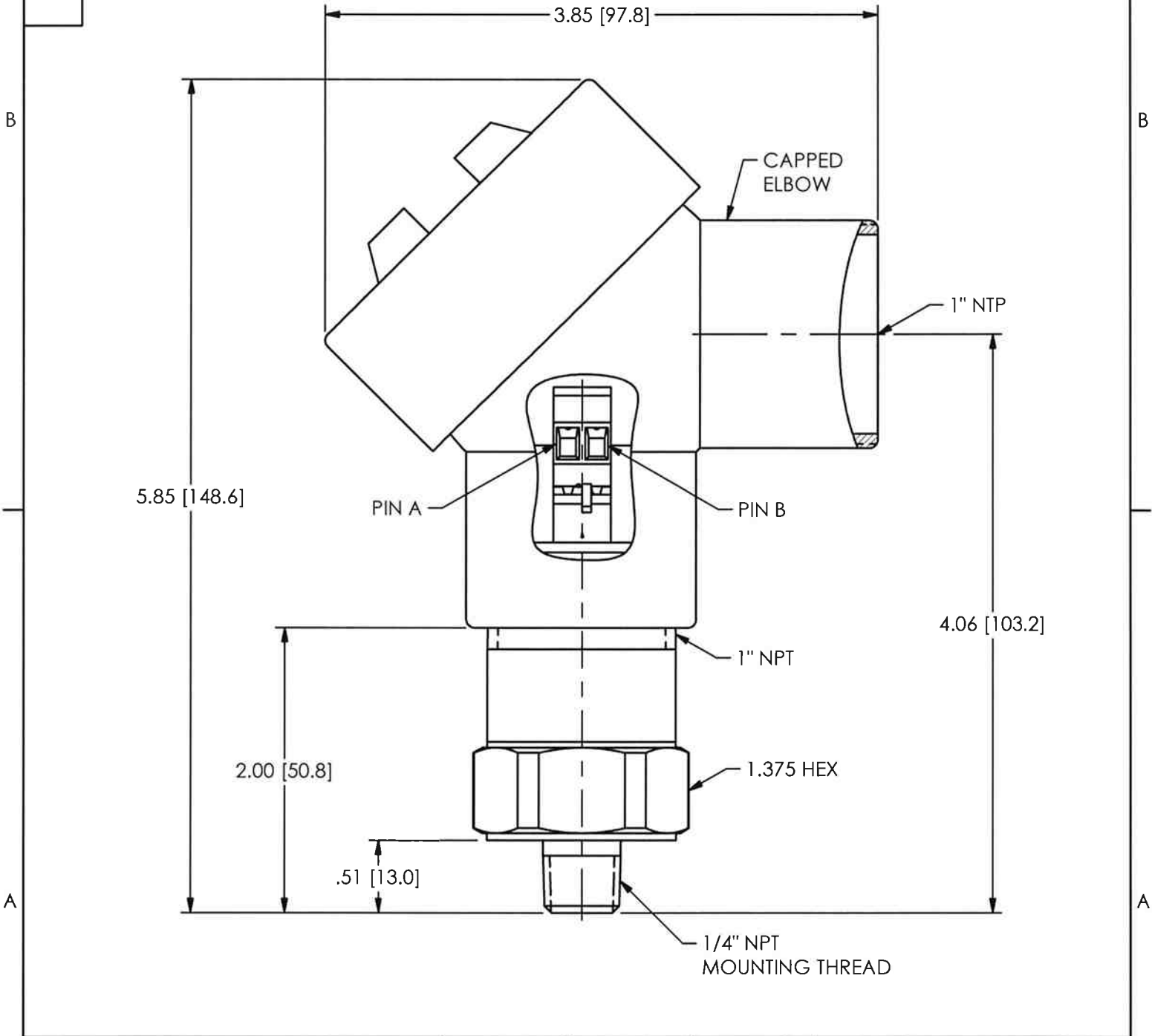
REVISIONS

REV	DESCRIPTION	ECO
A	ADDED RELATED STAMP	30762
B	UPDATE TITLE BLOCK	31223

42338

RELATED DRAWING

NO MODIFICATIONS PERMITTED WITHOUT THE APPROVAL OF THE AUTHORIZED PERSON



UNLESS OTHERWISE SPECIFIED TOLERANCES ARE:		DRAWN	CHECKED	ENGINEER		 <b>PCB PIEZOTRONICS</b> <sup>INC</sup> 3425 WALDEN AVE. DEPEW, NY 14043 (716) 684-0001 E-MAIL: sales@pcb.com		
DIMENSIONS IN INCHES	DIMENSIONS IN MILLIMETERS [IN BRACKETS]	MDF	8/27/09	ECS	8/28/09		JJD	8/27/09
DECIMALS XX ±.03 XXX ±.010	DECIMALS X ± 0.8 XX ± 0.25	TITLE		OUTLINE DRAWING MODEL EP686B7X & EX686B7X VIBRATION SWITCH			CODE IDENT. NO. 52681	DWG. NO. 42338
ANGLES ± 2 DEGREES	ANGLES ± 2 DEGREES	FILLETS AND RADII .003 - .005		FILLETS AND RADII 0.07 - 0.13		SCALE: FULL	SHEET 1 OF 1	