

PCB Piezotronics Inc. claims proprietary rights in the information disclosed hereon. Neither it nor any reproduction thereof will be disclosed to others without the written consent of PCB Piezotronics Inc.

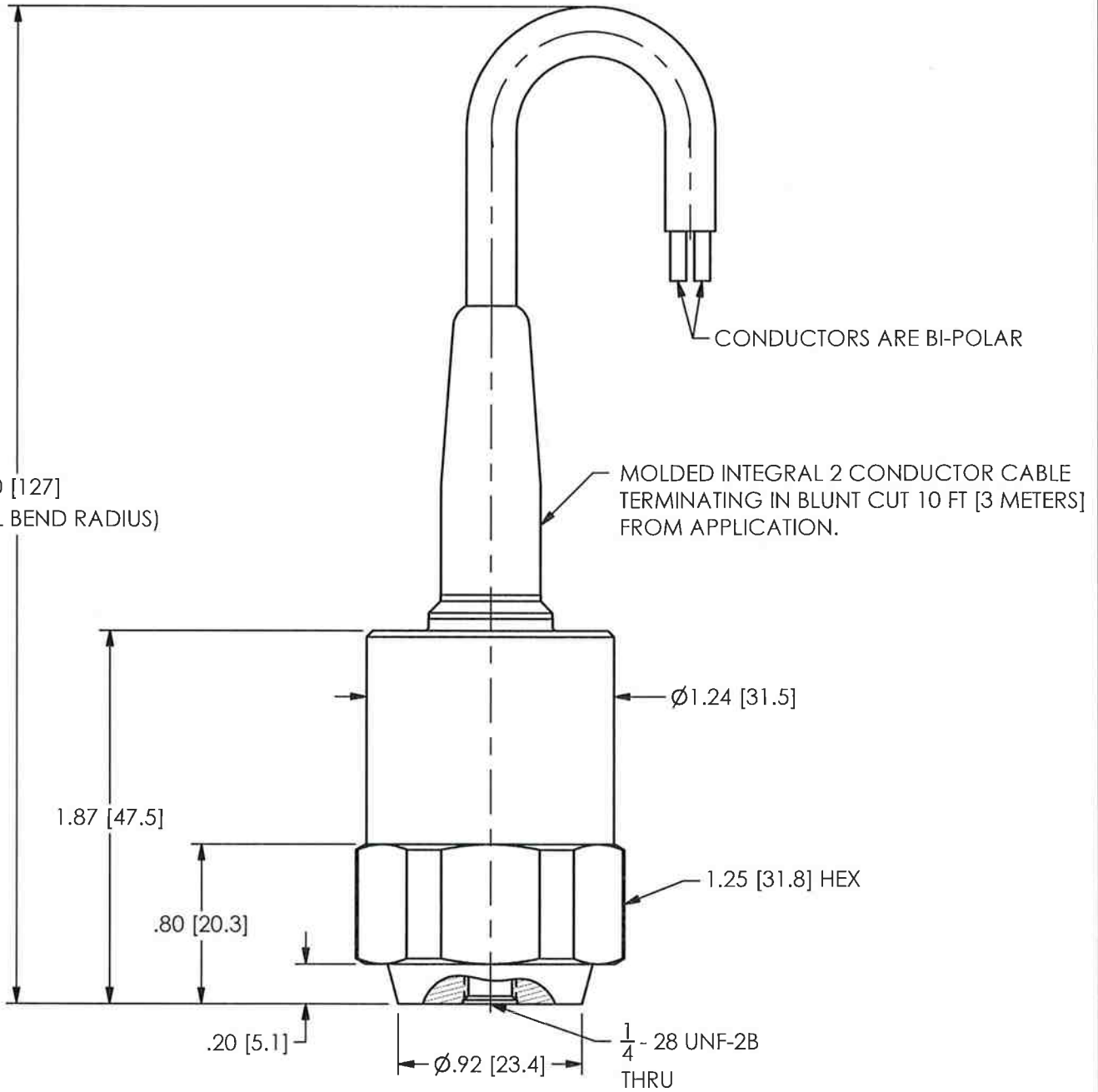
REVISIONS

REV	DESCRIPTION	ECO
NR	RELEASED TO DRAFTING	

41979

B

B



A

A

UNLESS OTHERWISE SPECIFIED TOLERANCES ARE:

DIMENSIONS IN INCHES

DIMENSIONS IN MILLIMETERS [IN BRACKETS]

DECIMALS XX ±.03
XXX ±.010

DECIMALS X ±0.8
XX ±0.25

ANGLES ± 2 DEGREES

ANGLES ± 2 DEGREES

FILLETS AND RADII
.003 - .005

FILLETS AND RADII
[0.07 - 0.13]

DRAWN	<i>ECB</i>	<i>2/10/09</i>	MFG	<i>JR</i>	<i>2/25/09</i>
CHK'D	<i>ECB</i>	<i>2/20/09</i>	ENGR	<i>DORI</i>	<i>2/10/09</i>
APP'D	<i>NR</i>	<i>2/25/09</i>	SALES	<i>EG</i>	<i>2/25/09</i>
TITLE					

OUTLINE DRAWING
MODEL 686B1X
VIBRATION SWITCH

PCB PIEZOTRONICS INC.

3425 WALDEN AVE. DEPEW, NY 14043
(716) 684-0001 E-MAIL: sales@pcb.com

CODE IDENT. NO. 52681	DWG. NO. 41979
SCALE: 1.25X	SHEET 1 OF 1