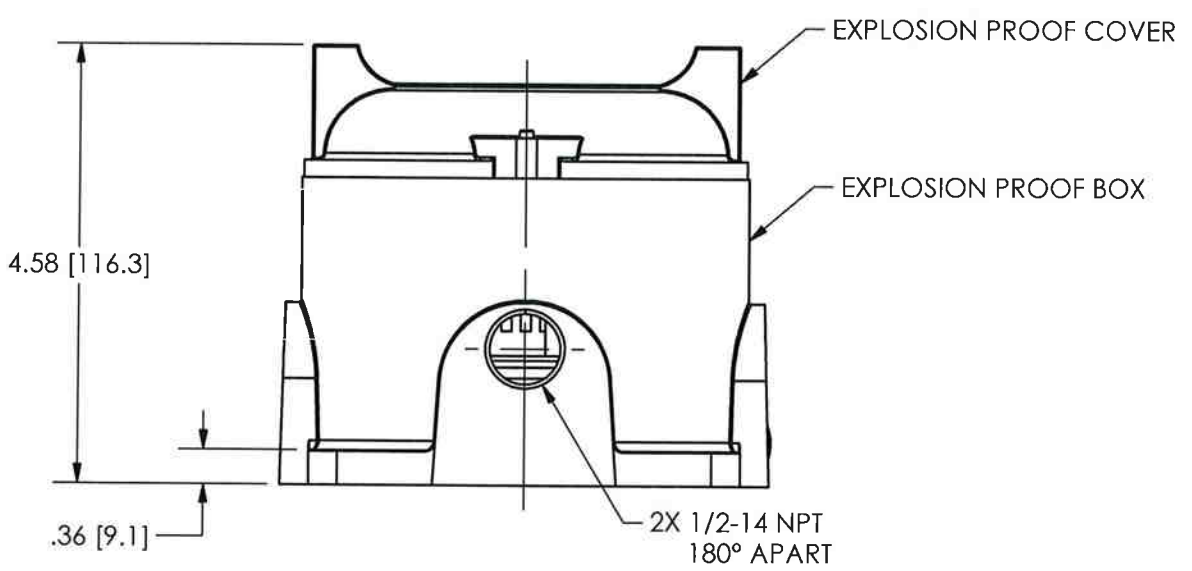
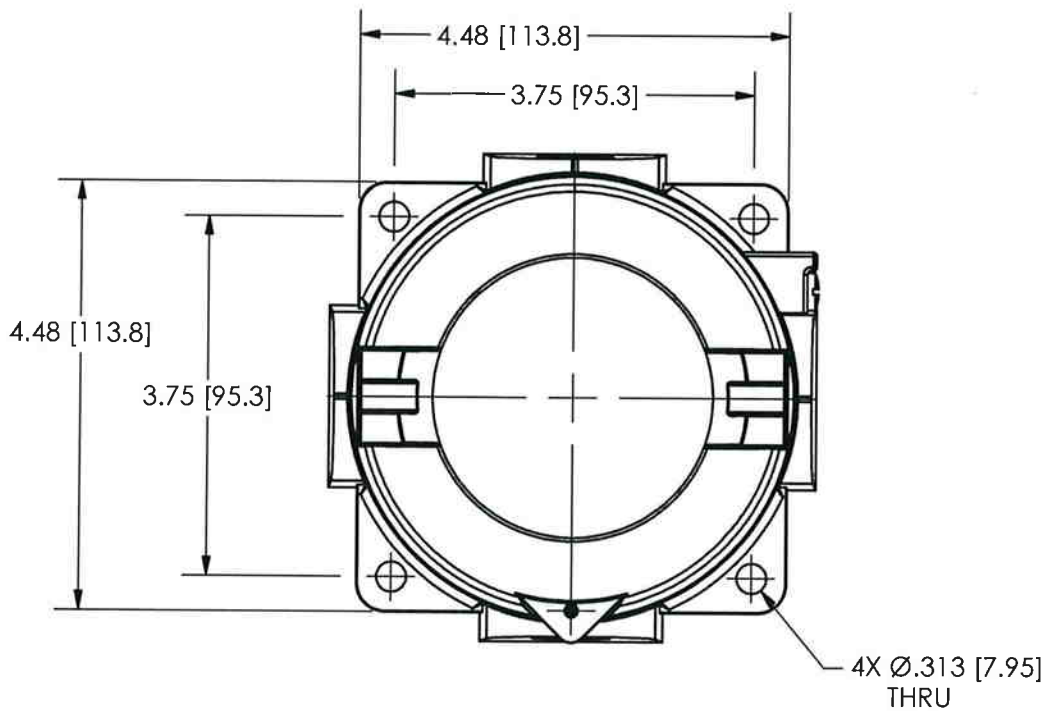


PCB Piezotronics Inc. claims proprietary rights in the information disclosed hereon. Neither it nor any reproduction thereof will be disclosed to others without the written consent of PCB Piezotronics Inc.

REVISIONS

REV	DESCRIPTION	ECN	APP'D
NR	RELEASED TO DRAFTING		ECB 5/17/07

37424



UNLESS OTHERWISE SPECIFIED TOLERANCES ARE:

DIMENSIONS IN INCHES	DIMENSIONS IN MILLIMETERS [IN BRACKETS]
DECIMALS XX ± .03	DECIMALS X ± 0.8
XXX ± .010	XX ± 0.25
ANGLES ± 2 DEGREES	ANGLES ± 2 DEGREES

DRAWN	<i>JMB</i> 5/16/07	MFG	<i>DAL</i> 5/16/07
CHK'D	ECB 5/17/07	ENGR	MRE 5/16/07
APP'D	ZAB 5/16/07	SALES	<i>JA</i> 5/16/07
TITLE			

PCB PIEZOTRONICS™
 3425 WALDEN AVE. DEPEW, NY 14043
 (716) 684-0001 E-MAIL: sales@pcb.com

OUTLINE DRAWING
 MODEL 685BXXXXC14
 ELECTRONIC VIBRATION SWITCH

CODE IDENT. NO. 52681	DWG NO. 37424
SCALE: .5X	SHEET 1 OF 1