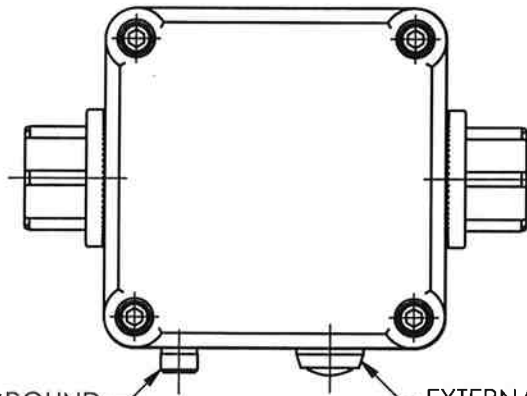


PCB Piezotronics Inc. claims proprietary rights in the information disclosed hereon. Neither it nor any reproduction thereof will be disclosed to others without the written consent of PCB Piezotronics Inc.

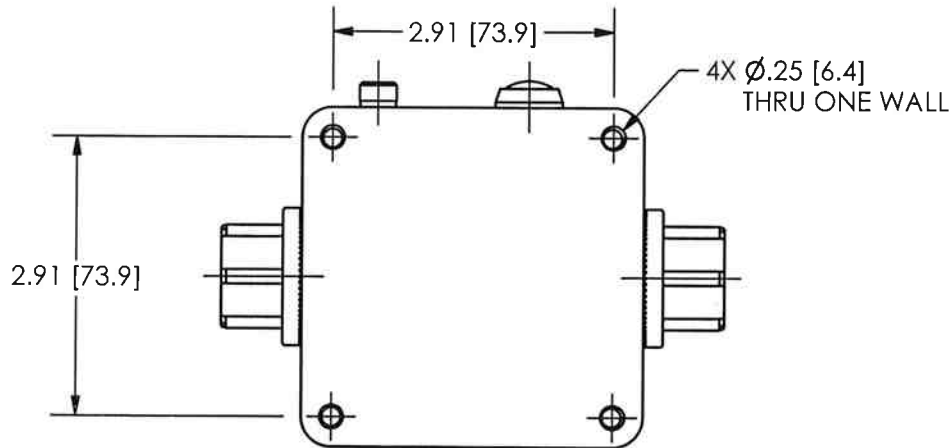
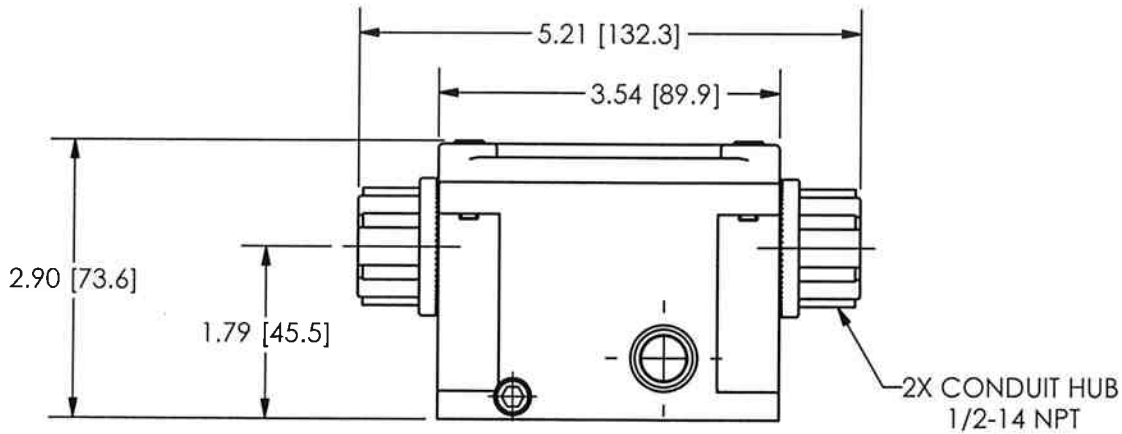
REVISIONS

REV	DESCRIPTION	ECN	APP'D
A	ADD CONDUIT HUB CALLOUT	25948	ECB 3/07
B	REPLACE CONDUIT HUBS	27505	ECB 19/07

36131



GROUND SCREW EXTERNAL RESET PUSHBUTTON



UNLESS OTHERWISE SPECIFIED TOLERANCES ARE:

DIMENSIONS IN INCHES

DIMENSIONS IN MILLIMETERS
[IN BRACKETS]

DECIMALS XX ± .03
 XXX ± .010
ANGLES ± 2 DEGREES

DECIMALS X ± 0.8
 XX ± 0.25
ANGLES ± 2 DEGREES

FILLETS AND RADII
.003 - .005

FILLETS AND RADII
[0.07 - 0.13]

DRAWN	WDF	10/16/07	MFG	JB	10/16/07
CHK'D	ECB	10/16/07	ENGR	MJI	10/16/07
APP'D	NF	10/16/07	SALES	JJ	10/16/07

TITLE
 OUTLINE DRAWING
 MODEL 685BXXXXA21
 ELECTRONIC VIBRATION SWITCH



3425 WALDEN AVE. DEPEW, NY 14043
 (716) 684-0001 E-MAIL: sales@pcb.com

CODE IDENT. NO. 52681 DWG. NO. 36131

SCALE: .5 X SHEET 1 OF 1