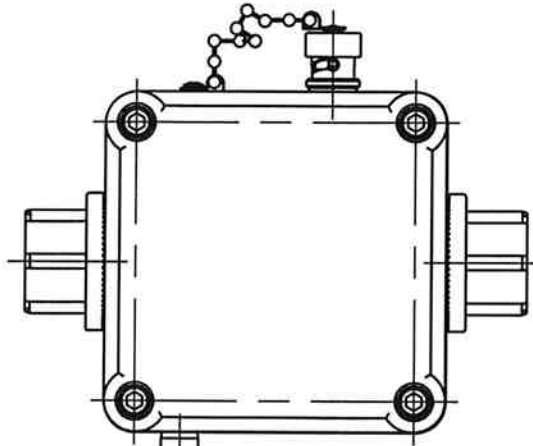


PCB Piezotronics Inc. claims proprietary rights in the information disclosed hereon. Neither it nor any reproduction thereof will be disclosed to others without the written consent of PCB Piezotronics Inc.

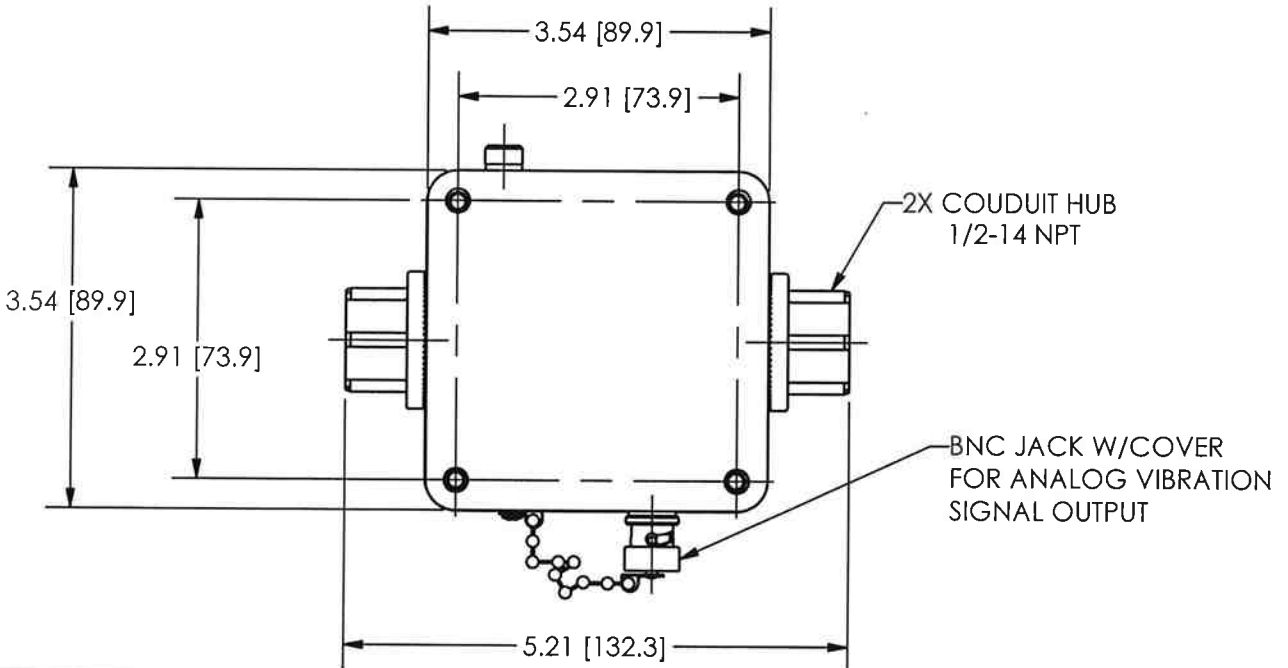
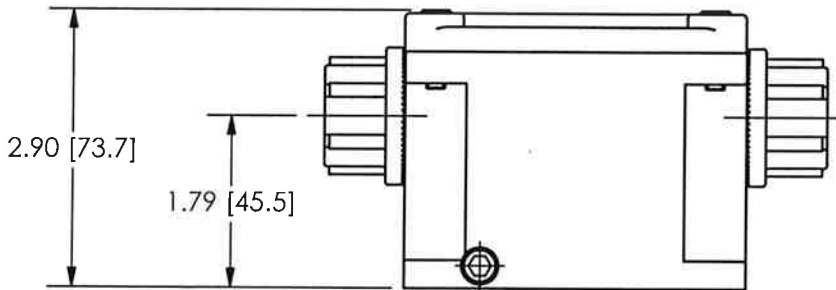
REVISIONS

REV	DESCRIPTION	ECN	APP'D
A	ADD CONDUIT HUB CALLOUT	25948	ECB 3/06
B	REPLACE CONDUIT HUB	27505	ECB 10/16/07

34751



GROUND SCREW



UNLESS OTHERWISE SPECIFIED TOLERANCES ARE:

DIMENSIONS IN INCHES	DIMENSIONS IN MILLIMETERS [IN BRACKETS]
DECIMALS XX ± .03	DECIMALS X ± 0.8
XXX ± .010	XX ± 0.25
ANGLES ± 2 DEGREES	ANGLES ± 2 DEGREES
FILLETS AND RADII .003 - .005	FILLETS AND RADII [0.07 - 0.13]

DRAWN	mdf	10/16/07	MFG	JR	10/16/07
CHK'D	ECB	10/16/07	ENGR	MJI	10/16/07
APP'D	NF	10/16/07	SALES	JJ	10/16/07

TITLE
 OUTLINE DRAWING
 MODEL 685BXXXXA31
 ELECTRONIC VIBRATION SWITCH

PCB PIEZOTRONICS^{INC}
 3425 WALDEN AVE. DEPEW, NY 14043
 (716) 684-0001 E-MAIL: sales@pcb.com

CODE IDENT. NO. 52681	DWG. NO. 34751
SCALE: .5 X	SHEET 1 OF 1