

APPLICATION

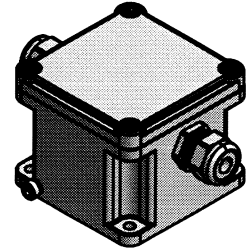
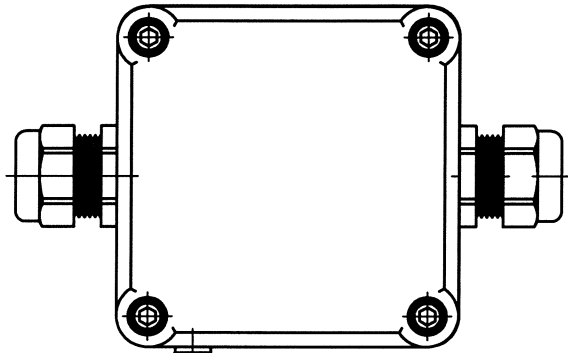
REVISIONS

NEXT ASS'Y	USED ON	VAR

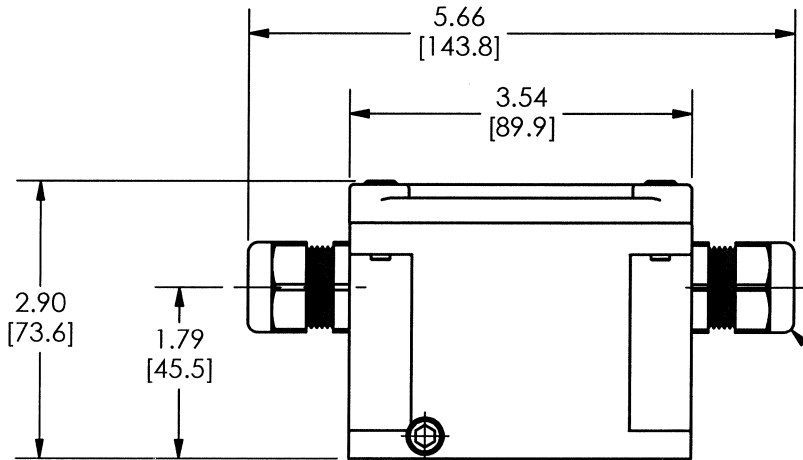
REV	DESCRIPTION	ECN	APP'D
NR	RELEASED TO DRAFTING		ECB 7/19/06

34180

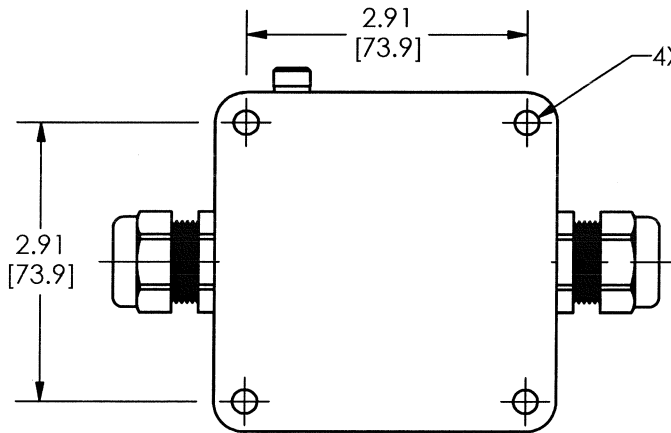
PCB Piezotronics Inc. claims proprietary rights in the information disclosed hereon. Neither it nor any reproduction thereof will be disclosed to others without the written consent of PCB Piezotronics Inc.



GROUND SCREW



2X CORD GRIP  
CABLE DIAMETER RANGE:  
.2 - .35 [5 - 9]



4X Ø.25 [Ø6.4]  
THRU ONE WALL

UNLESS OTHERWISE SPECIFIED TOLERANCES ARE:

DIMENSIONS IN INCHES	DIMENSIONS IN MILLIMETERS [ IN BRACKETS ]
DECIMALS XX ± .03 XXX ± .010	DECIMALS X ± 0.8 XX ± 0.25
ANGLES ± 2 DEGREES	ANGLES ± 2 DEGREES

DRAWN	<i>QRM</i>	<i>7/19/06</i>	MFG	<i>P. J. 8/1/06</i>
CHK'D	<i>ECB</i>	<i>7/19/06</i>	ENGR	<i>MP</i>
APP'D	<i>ma</i>	<i>7/19/06</i>	SALES	<i>QRM</i>

**PCB PIEZOTRONICS** INC.

3425 WALDEN AVE. DEPEW, NY 14043  
(716) 684-0001 E-MAIL: sales@pcb.com

TITLE  
OUTLINE DRAWING  
MODEL 685BXXXXA 10  
ELECTRONIC VIBRATION SWITCH

CODE IDENT. NO. 52681	DWG. NO. <b>34180</b>
--------------------------	--------------------------

FILLETS AND RADII .003 - .005	FILLETS AND RADII [ 0.07 - 0.13 ]
----------------------------------	--------------------------------------

SCALE: .5 X SHEET 1 of 1