

19514

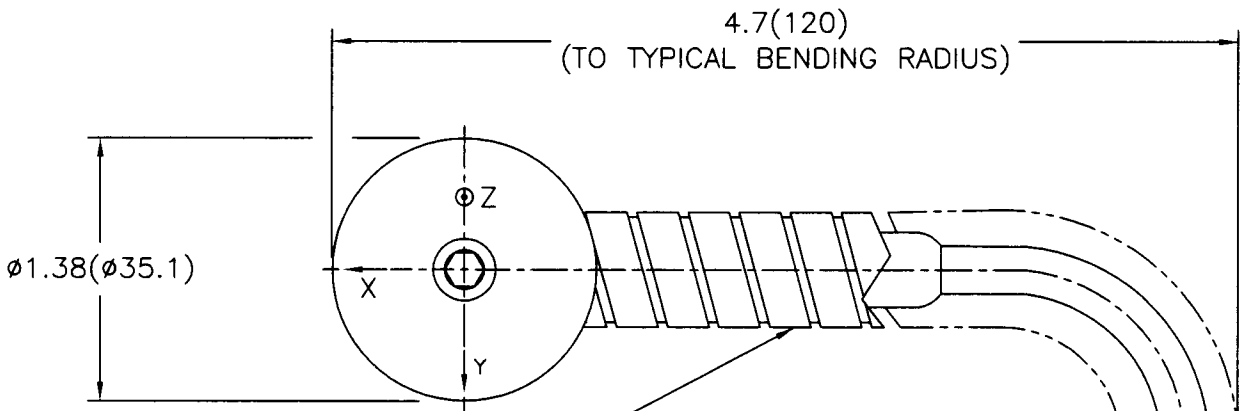
PCB Piezotronics Inc. claims proprietary rights in the information disclosed hereon. Neither it nor any reproduction thereof will be disclosed to others without written consent of PCB Piezotronics Inc.

APPLICATION

NEXT ASS'Y	USED ON	VAR

REVISIONS

REV	DESCRIPTION	ECN	DATE	APP'D

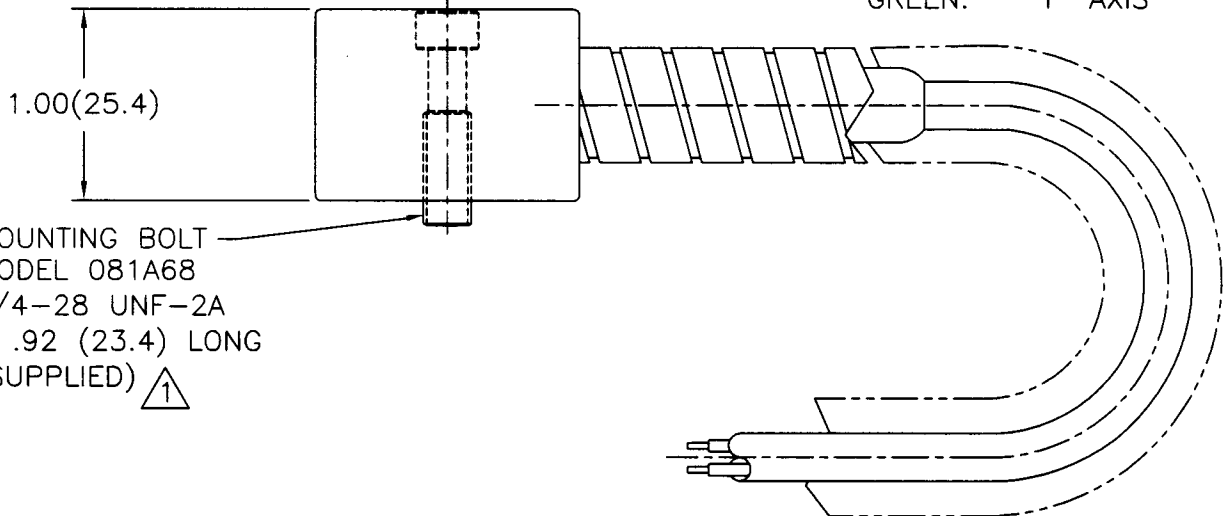


INTEGRAL ARMOR CABLE  
(MOLDED 4 CONDUCTOR  
SHIELDED CABLE)  
TERMINATING IN BLUNT CUT,  
10 FEET (3 METERS)  
FROM APPLICATION.

WIRE COLOR REFERENCE

- RED: "X" AXIS
- WHITE: "Z" AXIS
- BLACK: GND
- GREEN: "Y" AXIS

SEE WIRE COLOR  
REFERENCE BELOW



MOUNTING BOLT  
MODEL 081A68  
1/4-28 UNF-2A  
X .92 (23.4) LONG  
(SUPPLIED)  $\triangle$

$\triangle$  FOR METRIC RING TRIAXIAL ACCELEROMETER (MODEL M604B61) USE MOUNTING BOLT MODEL M081A68, M6 X 1.00-6g X .92(23) LONG.

UNLESS SPECIFIED TOLERANCES		DRAWN	CHK'D	APP'D	MFG	ENGR	SALES	PCB PIEZOTRONICS™		
DIMENSIONS IN INCHES	DIMENSIONS IN MILLIMETERS (IN PARENTHESIS)	1/MS	DM	U.F.	5.24.02	6/3/02	6/15/02	5/24/02	3425 WALDEN AVE. DEPEW, NY 14043 (716) 684-0001 EMAIL: SALES@PCB.COM	
DECIMALS XX ±.01 XXX ±.005	DECIMALS XX ±0.3 XXX ±0.13									
ANGLES ±2 DEGREES	ANGLES ±2 DEGREES									
FILLETS AND RADII .003 - .005	FILLETS AND RADII (0.07 - 0.13)	TITLE OUTLINE DRAWING MODEL 604B61, M RING TRIAXIAL ACCELEROMETER						CODE IDENT. NO. 52681	DWG. NO. 19514	
DD011 REV. B 03/13/98								SCALE: FULL	SHEET 1 OF 1	