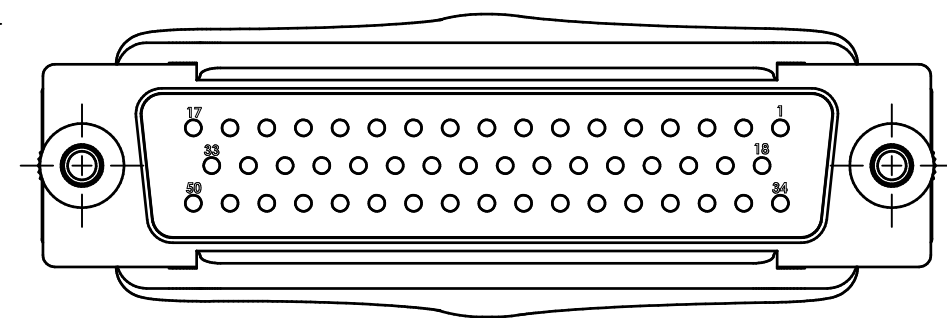
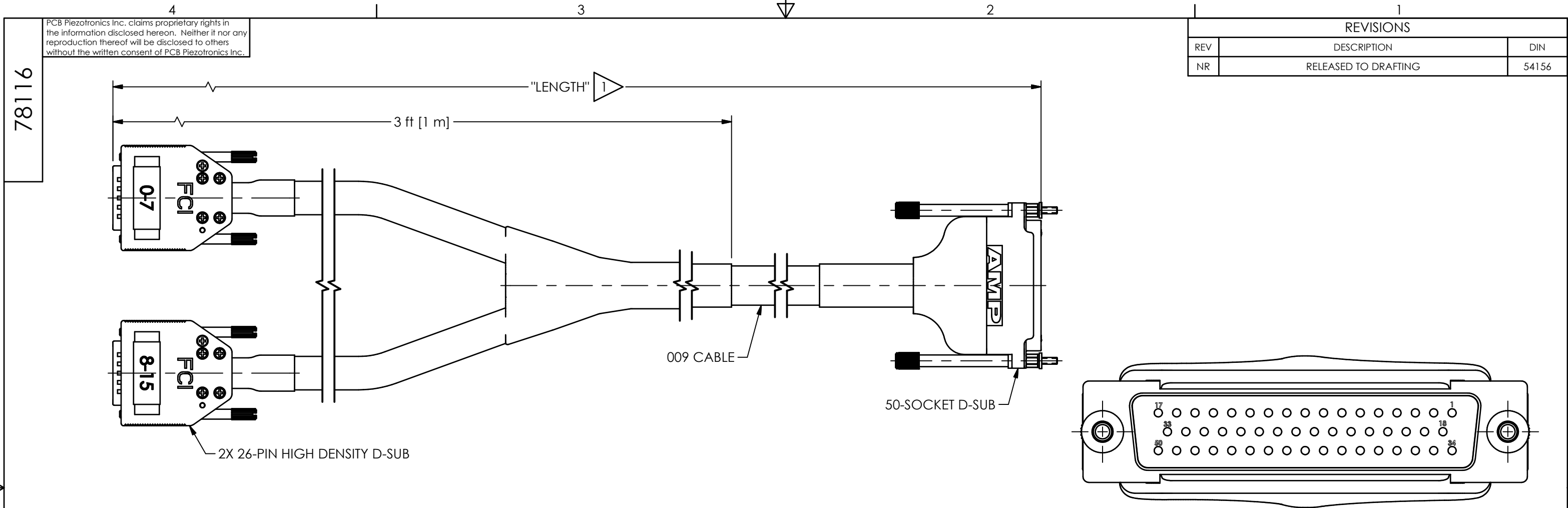
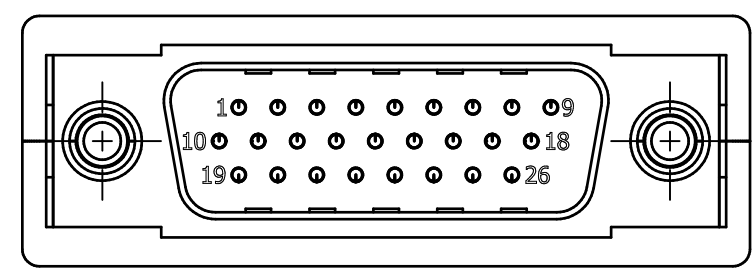


PCB Piezotronics Inc. claims proprietary rights in the information disclosed hereon. Neither it nor any reproduction thereof will be disclosed to others without the written consent of PCB Piezotronics Inc.

REVISIONS		
REV	DESCRIPTION	DIN
NR	RELEASED TO DRAFTING	54156



50-SOCKET D-SUB PINOUT  
SCALE 1.75X



26-PIN D-SUB PINOUT  
SCALE 2.25X

CONN.	DB26 CONNECTOR PIN-OUTS				16 PAIR CABLE		DB50 CONNECTOR PIN-OUT		
	CHANNEL	RED (+ SIGNAL)	BLACK (- SIGNAL)	DRAIN	CABLE PAIR	COLOR	RED (+ SIGNAL)	BLACK (- SIGNAL)	DRAIN
1	0	1	10	19	1	BROWN	1	18	34
	1	2	11	20	2	RED	35	2	19
	2	3	12	21	3	ORANGE	3	20	36
	3	4	13	22	4	YELLOW	37	4	21
	4	5	14	23	5	GREEN	5	22	38
	5	6	15	24	6	BLUE	39	6	23
	6	7	16	25	7	PURPLE	7	24	40
	7	8	17	26	8	GRAY	41	8	25
	GND	9, 18, SHELL			BRAIDED SHIELD		SHELL		
2	8	1	10	19	9	WHITE	26	43	10
	9	2	11	20	10	BLACK	11	27	44
	10	3	12	21	11	TAN	28	45	12
	11	4	13	22	12	PINK	13	29	46
	12	5	14	23	13	BROWN STRIPE	30	47	14
	13	6	15	24	14	RED STRIPE	15	31	48
	14	7	16	25	15	ORANGE STRIPE	32	49	16
	15	8	17	26	16	YELLOW STRIPE	17	33	50
	GND	9, 18, SHELL			BRAIDED SHIELD		SHELL		
	SHELL(S)				OVERALL SHIELD/DRAIN		SHELL		

1 LENGTH WILL VARY IN FEET OR METERS DEPENDING ON THE MODEL

UNLESS OTHERWISE SPECIFIED TOLERANCES ARE:				DRAWN		CHECKED		ENGINEER	
DIMENSIONS IN INCHES		DIMENSIONS IN MILLIMETERS [IN BRACKETS]		JJF	8/31/23	JJF	8/31/23	MJB	8/31/23
DECIMALS XX ±.03	XXX ±.010	DECIMALS X ±0.8	XX ±0.25	TITLE					
ANGLES ± 2 DEGREES		ANGLES ± 2 DEGREES		OUTLINE DRAWING 009M235 CABLE					
CABLE TOLERANCES IN ENGLISH		CABLE TOLERANCES IN METRIC							
1" ≤ LENGTH < 1'	= +1" / - 0	2.54cm ≤ LENGTH < 30.5cm	= +2.54cm / - 0						
1' ≤ LENGTH < 5'	= +2" / - 0	30.5cm ≤ LENGTH < 1.5m	= +5.1cm / - 0						
5' ≤ LENGTH < 100'	= +6" / - 0	1.5m ≤ LENGTH < 30.5m	= +15.2cm / - 0	CODE IDENT. NO. 52681					
100' ≤ LENGTH	= +1' / - 0	30.5m ≤ LENGTH	= +30.5cm / - 0	DWG. NO. 78116					
FILLETS AND RADII .003 - .005		FILLETS AND RADII 0.07 - 0.13		SCALE: .65X SHEET 1 OF 1					

**PCB PIEZOTRONICS**  
AN AMPHENOL COMPANY

3425 WALDEN AVE. DEPEW, NY 14043  
(716) 684-0001 E-MAIL: sales@pcb.com