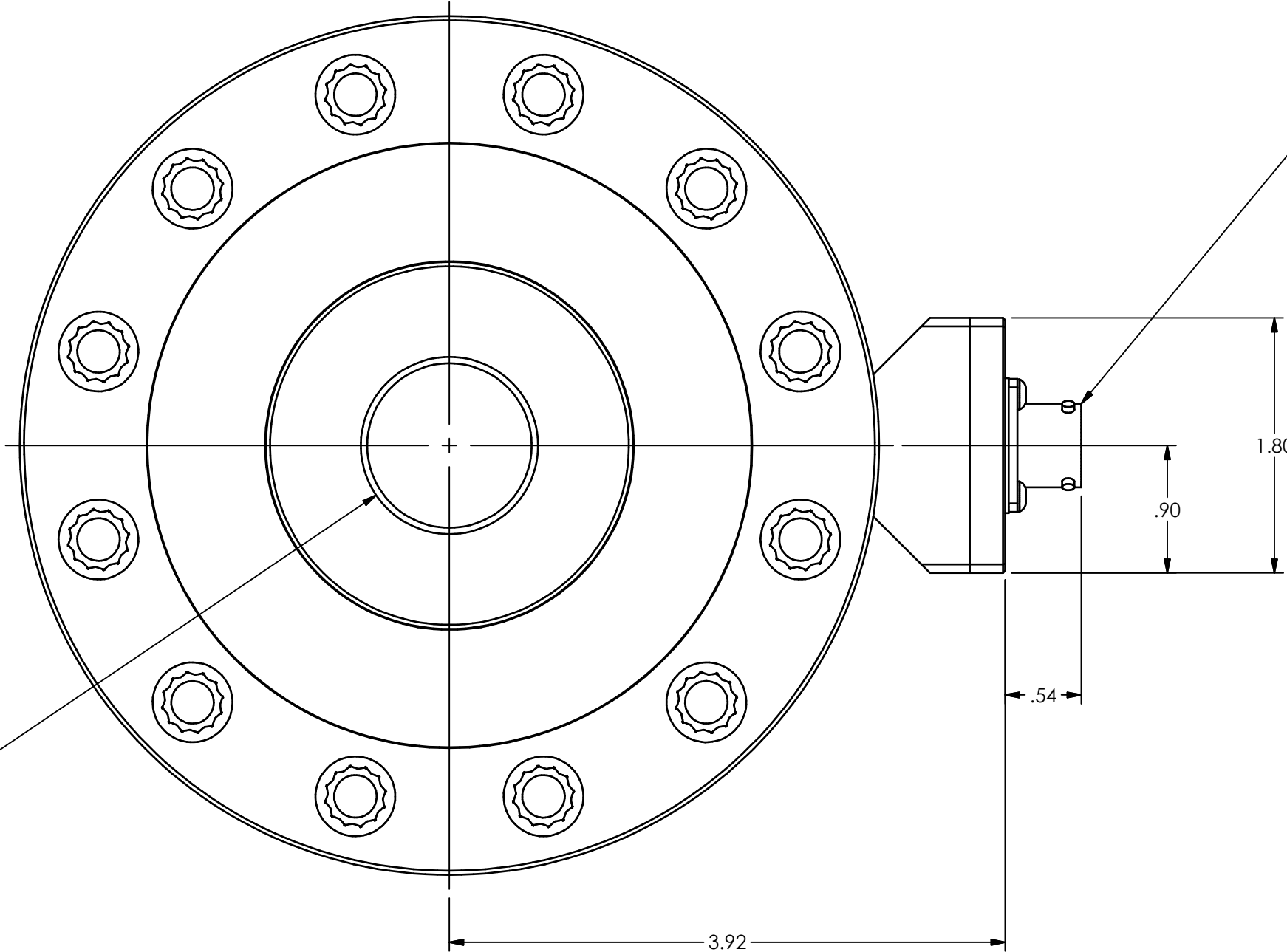


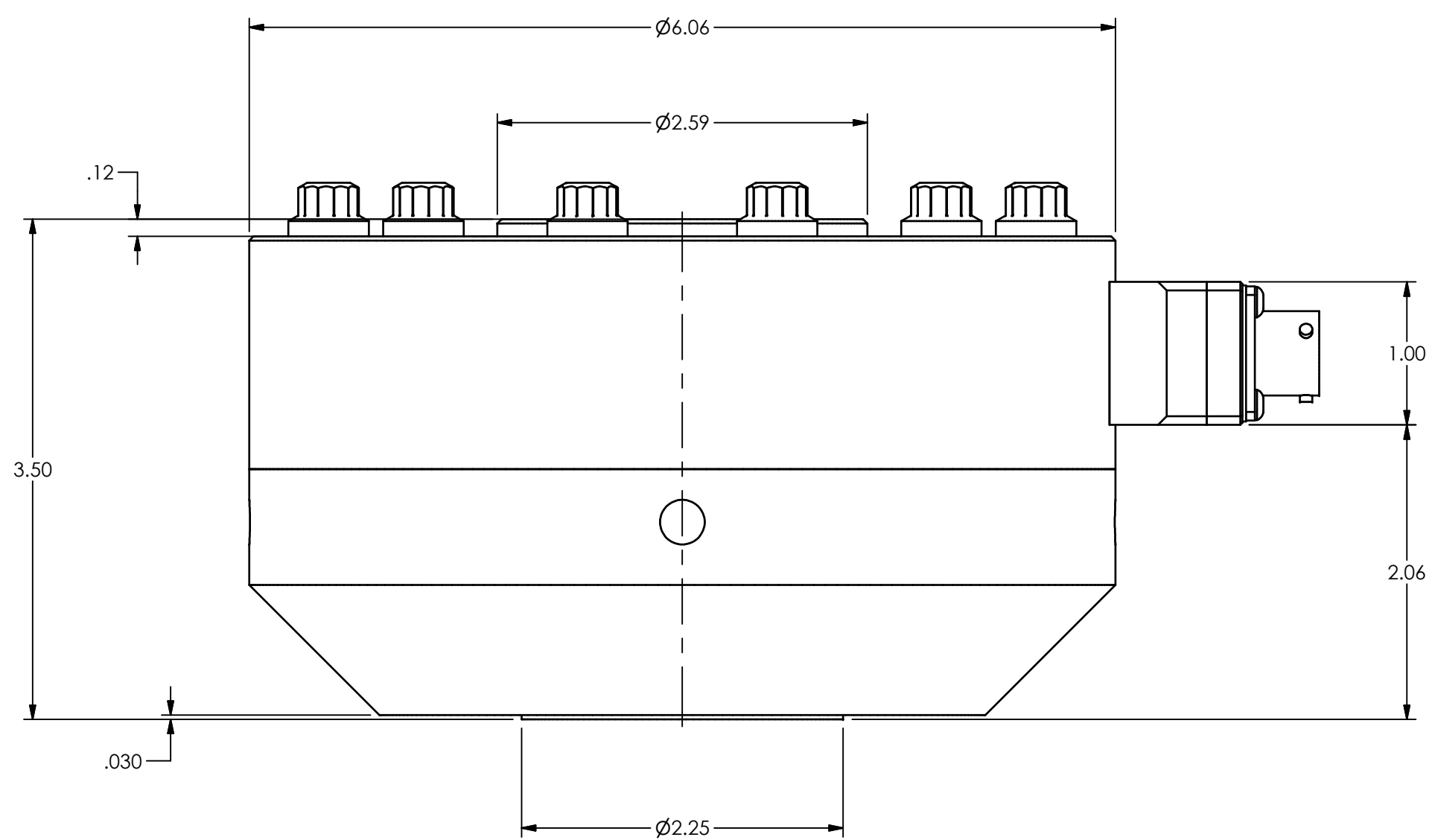
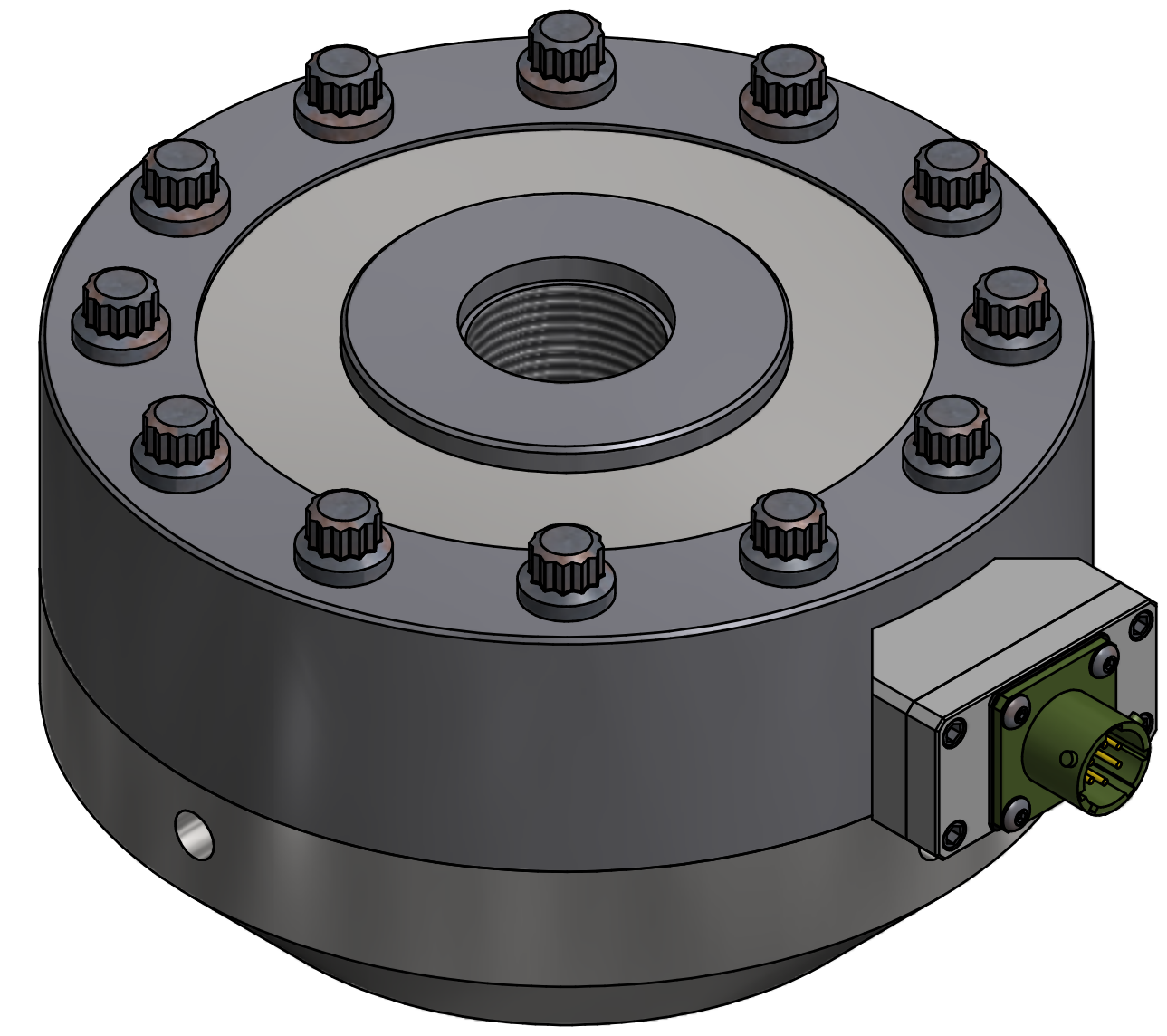
PCB Load & Torque Inc. claims proprietary rights in the information disclosed herein. Neither it nor any reproduction thereof will be disclosed to others without the written consent of PCB Load and Torque Inc.

68315

REVISIONS		
REV	DESCRIPTION	ECO
A	WIRING CODE WAS WESTERN REGIONAL - 05.24.18, PTE	48289



2X 1 1/4-12 UNF - 2B ∇ 1.40
 \perp \varnothing 1.25 ∇ .16



UNLESS OTHERWISE SPECIFIED TOLERANCES ARE:		DRAWN	CHECKED	ENGINEER	 <small>24350 Indoplex Circle, Farmington Hills, MI 48335 (716) 684-0001 E-MAIL: itinfo@pcbloadtorque.com</small>
DIMENSIONS IN INCHES	DIMENSIONS IN MILLIMETERS [IN BRACKETS]	PTE	JSD	JSD	
DECIMALS XX \pm .01 XXX \pm .005	DECIMALS X \pm 0.3 XX \pm 0.13	TITLE OUTLINE DRAWING SPECIAL LOW PROFILE 6" LOAD CELL W/ID			DWG. NO. 68315
ANGLES \pm .5 DEGREES	ANGLES \pm .5 DEGREES	FILLETS AND RADII .015 MAX			SCALE: FULL SHEET 1 OF 1
FILLETS AND RADII .015 MAX	FILLETS AND RADII 0.38 MAX				