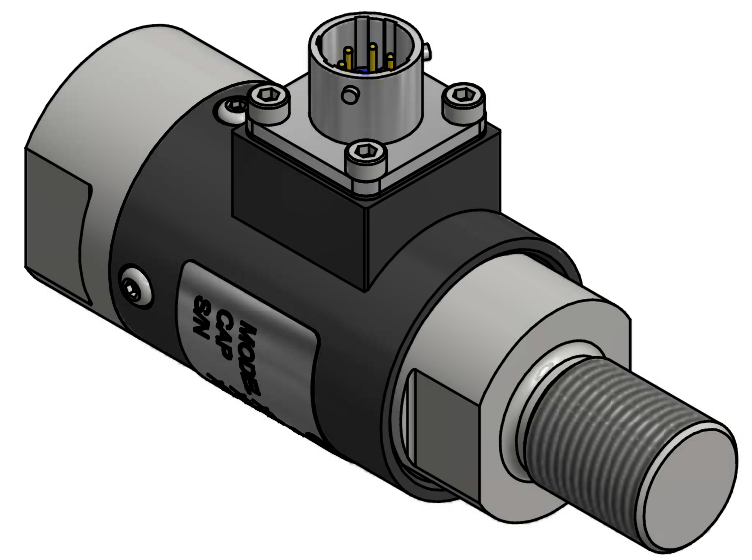
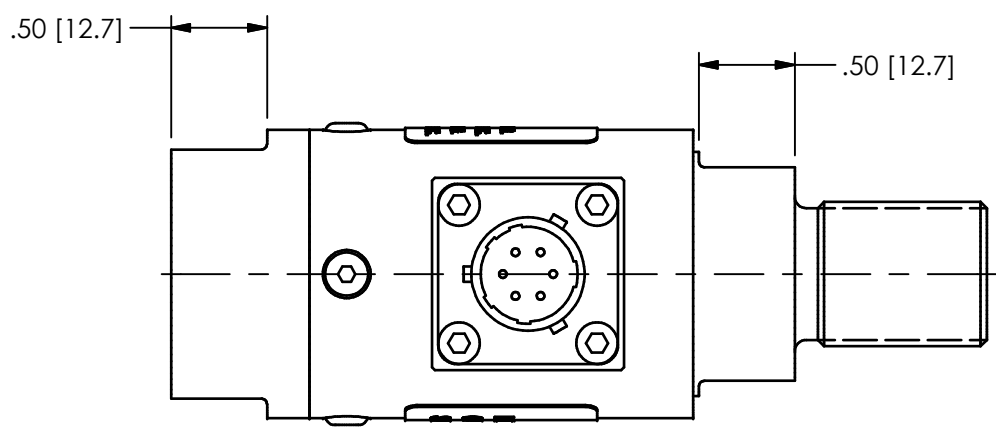


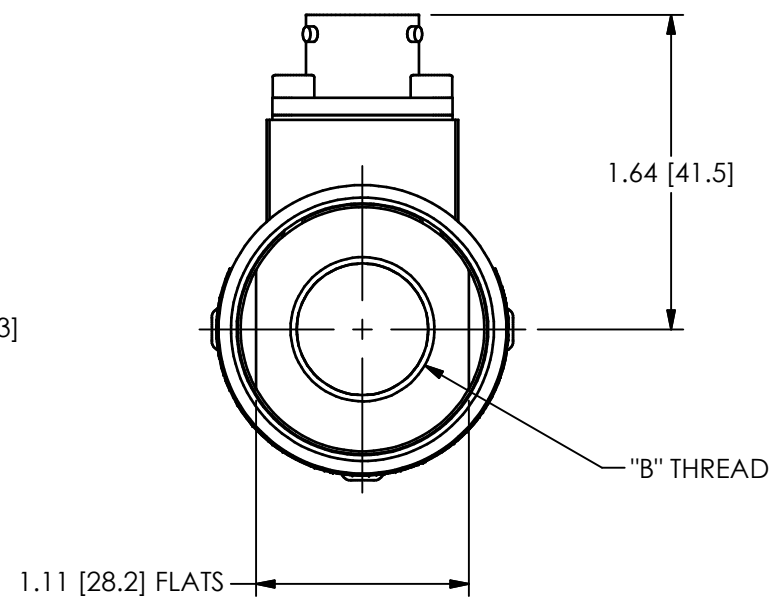
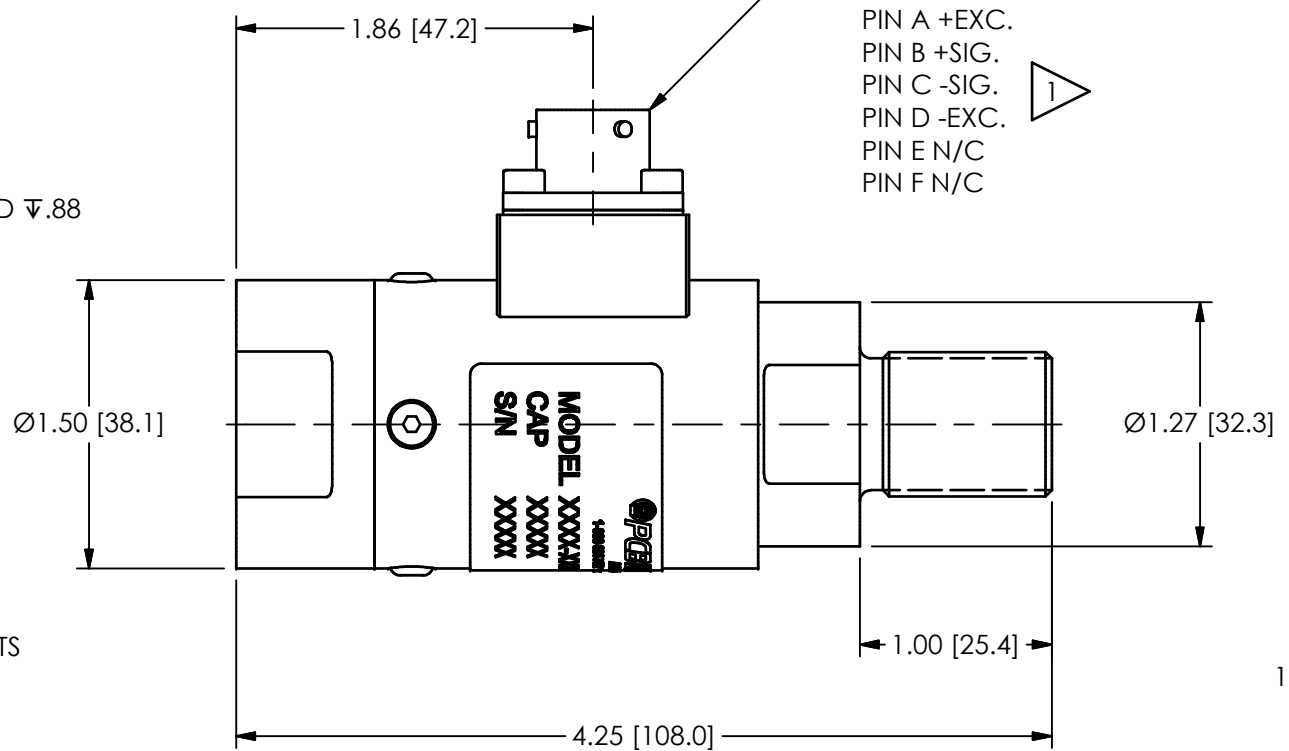
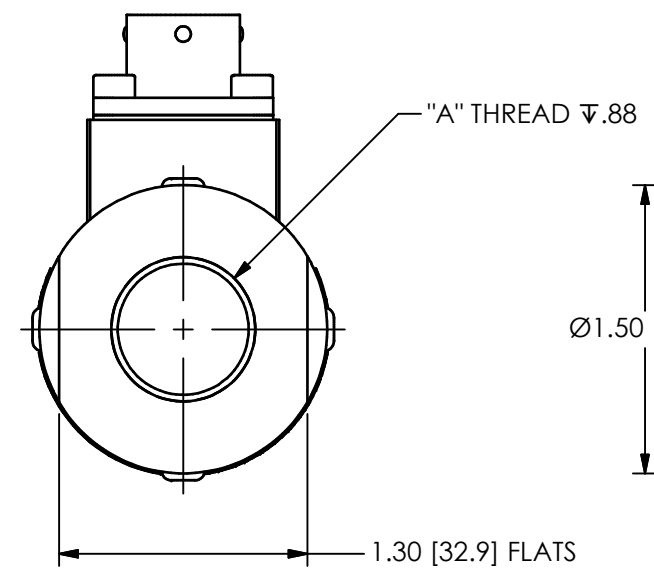
PCB Load & Torque Inc. claims proprietary rights in the information disclosed hereon. Neither it nor any reproduction thereof will be disclosed to others without the written consent of PCB Load and Torque Inc.

45488

REVISIONS		
REV	DESCRIPTION	ECO
B	ADDED CHART FOR M1380 SERIES - 04.26.18, PTE	48167



PUSH/TURN RECEPTACLE  
(BENDIX PT02E-10-6P OR EQUIV.)  
WIRING CODE:  
PIN A +EXC.  
PIN B +SIG.  
PIN C -SIG.  
PIN D -EXC.  
PIN E N/C  
PIN F N/C



M1380-XXA	M20X1.5 - 6H	M20X1.5 - 6g
1380-XXA	3/4-16UNF-2B	3/4-16UNF-2A
<b>MODEL (SERIES)</b>	<b>"A" THREAD</b>	<b>"B" THREAD</b>

1 WIRING CODE FOR MODELS WITH "TEDS" OPTION  
PIN A +EXC.  
PIN B +SIG.  
PIN C -SIG.  
PIN D -EXC.  
PIN E TEDS DATA  
PIN F TEDS GRD

UNLESS OTHERWISE SPECIFIED TOLERANCES ARE:		DRAWN		CHECKED		ENGINEER	
DIMENSIONS IN INCHES	DIMENSIONS IN MILLIMETERS [ IN BRACKETS ]	PTE	04.12.18	JSD	05.11.10	JSD	05.11.10
DECIMALS XX ±.01 XXX ±.005	DECIMALS X ±.03 XX ±.013	TITLE OUTLINE DRAWING MODEL 1380-XXA SERIES ROD END LOAD CELL					
ANGLES ± .5 DEGREES	ANGLES ± .5 DEGREES						
FILLETS AND RADII .015 MAX	FILLETS AND RADII 0.38 MAX	 24350 Indoplex Circle, Farmington Hills, MI 48335 (716) 684-0001 E-MAIL: linfo@pcbloadtorque.com DWG. NO. <b>45488</b> SCALE: FULL SHEET 1 OF 1					