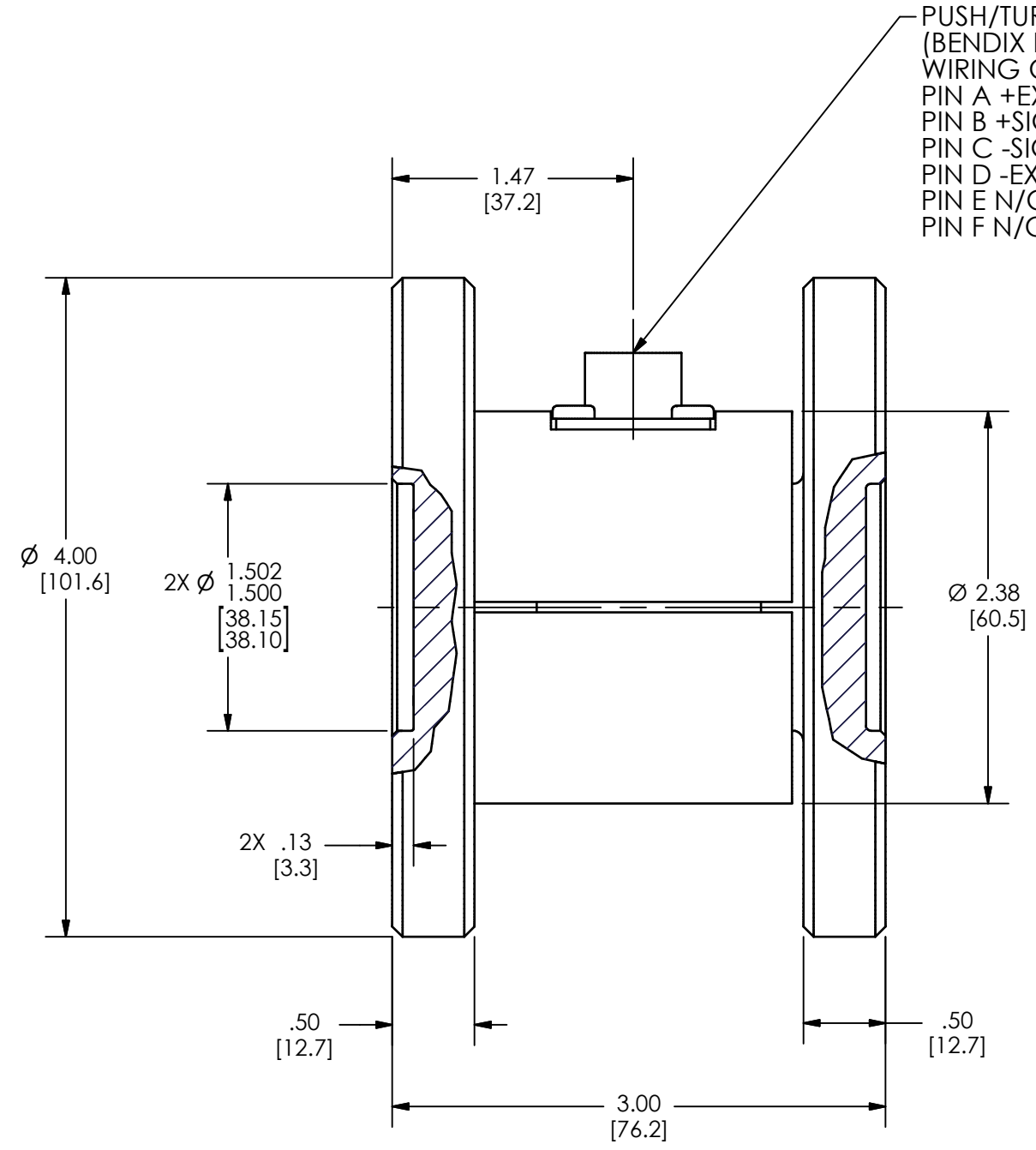
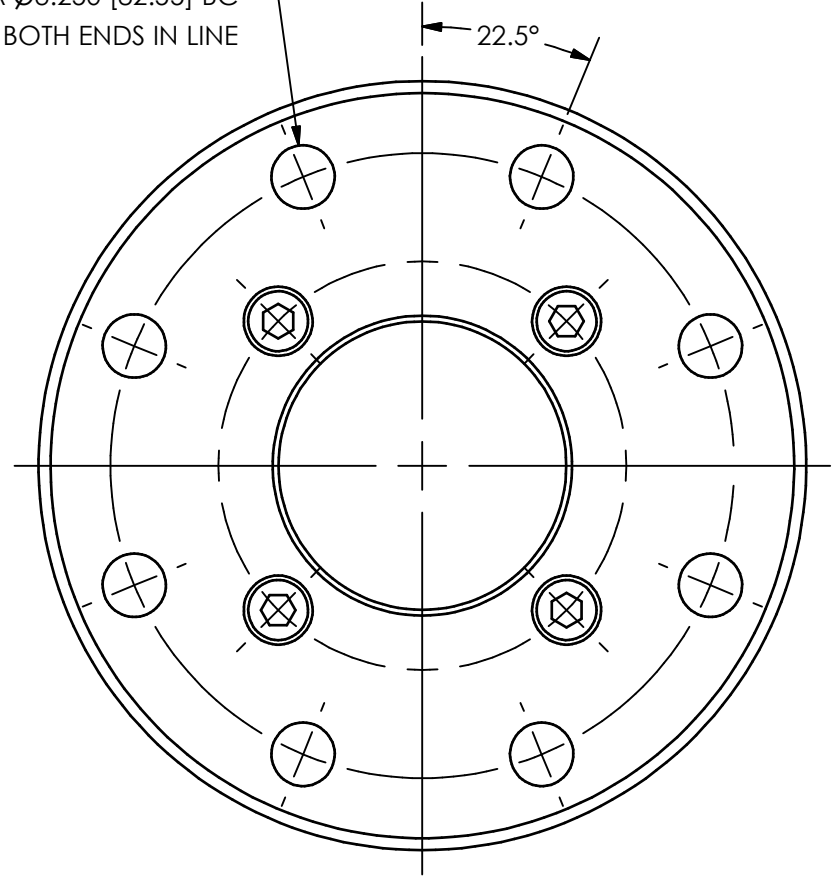


PCB Load & Torque Inc. claims proprietary rights in the information disclosed hereon. Neither it nor any reproduction thereof will be disclosed to others without the written consent of PCB Load and Torque Inc.

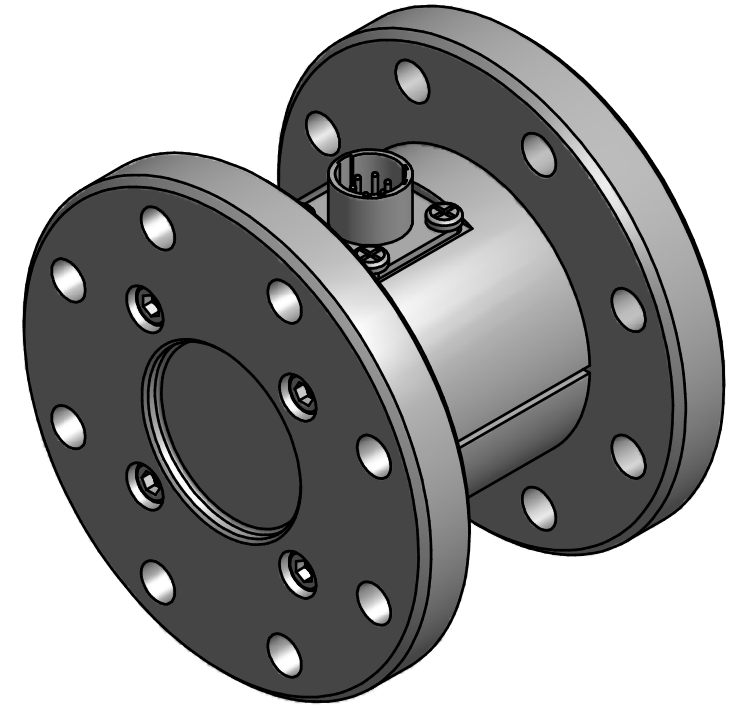
26439

REVISIONS		
REV	DESCRIPTION	ECO
B	REMOVED PIN OUT VIEW, ADD DIAMETER - 02.21.18, PTE	47634

8X ϕ .330 [8.38] THRU EQUALLY SPACED ON A ϕ 3.250 [82.55] BC BOTH ENDS IN LINE



PUSH/TURN RECEPTACLE (BENDIX PT02A-10-6P OR EQUIV.)
 WIRING CODE (WR):
 PIN A +EXC.
 PIN B +SIG.
 PIN C -SIG.
 PIN D -EXC.
 PIN E N/C
 PIN F N/C



UNLESS OTHERWISE SPECIFIED TOLERANCES ARE:		DRAWN		CHECKED		ENGINEER		 PCB LOAD & TORQUE A PCB GROUP COMPANY
DIMENSIONS IN INCHES	DIMENSIONS IN MILLIMETERS [IN BRACKETS]	MDF	1/18/12	ECB	1/18/12	PTE	1/18/12	
DECIMALS XX \pm .01 XXX \pm .005	DECIMALS X \pm 0.3 XX \pm 0.13	TITLE OUTLINE DRAWING 2301-XXA SERIES REACTION TORQUE SENSOR						24350 Indoplex Circle, Farmington Hills, MI 48335 (716) 684-0001 E-MAIL: linfo@pcbloadtorque.com
ANGLES \pm .5 DEGREES	ANGLES \pm .5 DEGREES							DWG. NO. 26439
FILLETS AND RADII .015 MAX	FILLETS AND RADII 0.38 MAX	SCALE: FULL		SHEET 1 OF 1				