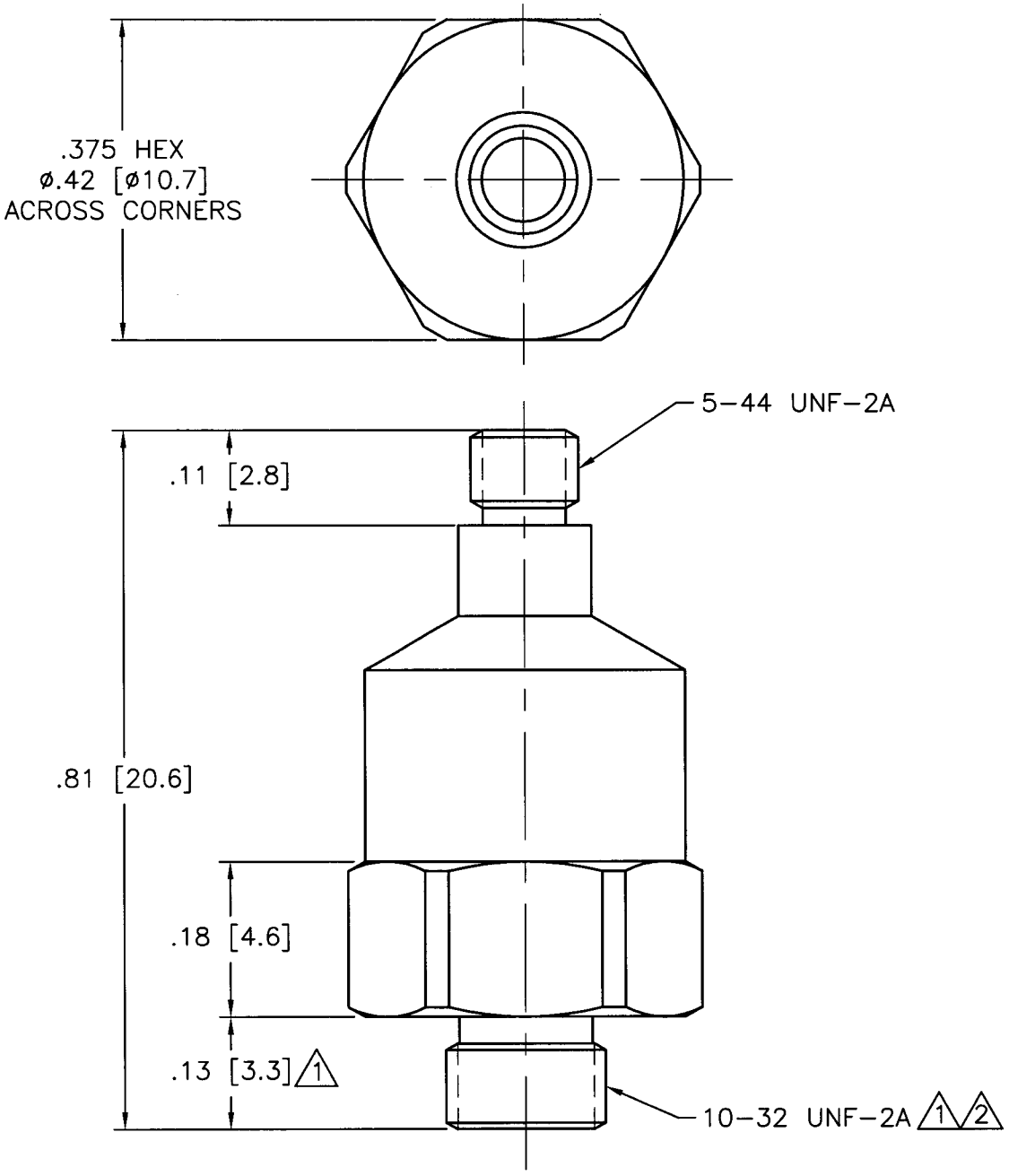


8714

PCB Piezotronics Inc. claims proprietary rights in the information disclosed herein. Neither it nor any reproduction thereof will be disclosed to others without written consent of PCB Piezotronics Inc.

APPLICATION		
NEXT ASS'Y	USED ON	VAR

REVISIONS				
REV	DESCRIPTION	ECN	DATE	APP'D
A	ADDED (A) OPTION	9555	9/14/98	
B	STANDARDIZED MODEL NUMBER	16408	11/1/02	
C	ADDED METRIC OPTION	18521	10/10/03	DMW/s



- $\triangle 2$ M6 x 0.75-6g THREAD FOR METRIC OPTION.
- $\triangle 1$ STUD REMOVED FOR SENSOR WITH ADHESIVE MOUNT OPTION.

UNLESS SPECIFIED TOLERANCES		DRAWN			MFG			PCB PIEZOTRONICS™		
DIMENSIONS IN INCHES	DIMENSIONS IN MILLIMETERS [IN BRACKETS]	8714	10/10/03	OK	10/13/03	3425 WALDEN AVE. DEPEW, NY 14043	(716) 684-0001 EMAIL: SALES@PCB.COM			
DECIMALS XX ±.01 XXX ±.005	DECIMALS X ±0.3 XX ±0.13	CHK'D	DM	ENGR	DMO	10/10/03				
ANGLES ±2 DEGREES	ANGLES ±2 DEGREES	APP'D	DM	SALES	WJC	10/13/03	CODE IDENT. NO. 52681	DWG. NO. 8714		
FILLETS AND RADII .003 - .005	FILLETS AND RADII [0.07 - 0.13]	TITLE					OUTLINE DRAWING MODEL (M)352A60 SERIES ACCELEROMETER			
DD011 REV. C 01/21/03							SCALE: 5X	SHEET 1 OF 1		