

2

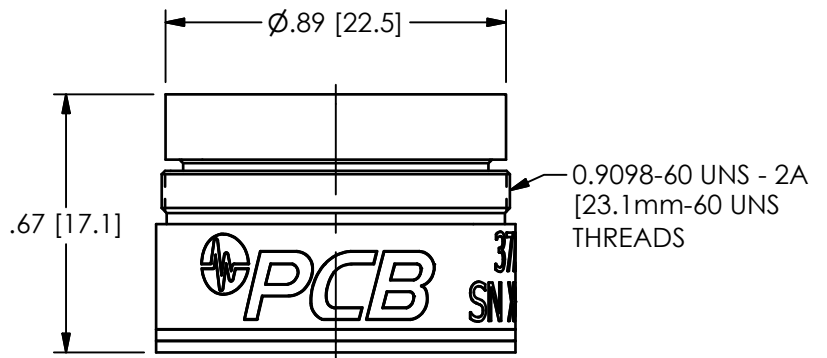
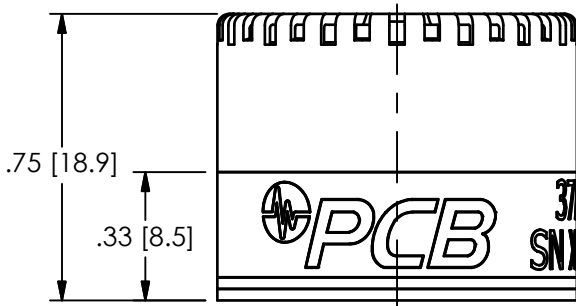
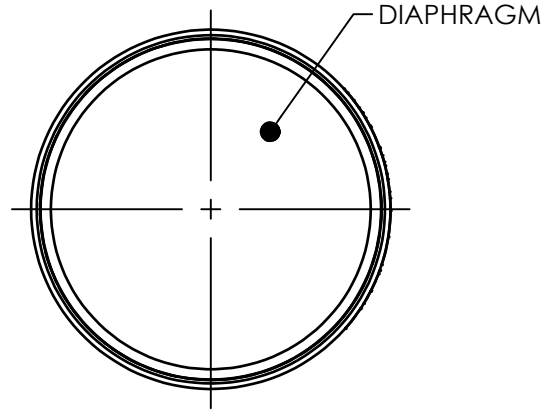
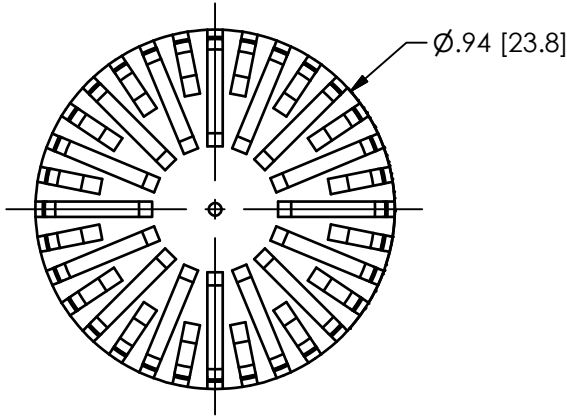
1

PCB Piezotronics Inc. claims proprietary rights in the information disclosed hereon. Neither it nor any reproduction thereof will be disclosed to others without the written consent of PCB Piezotronics Inc.

REVISIONS

REV	DESCRIPTION	DIN
NR	RELEASED TO DRAFTING	44857

63103



WITH GRID CAP

WITHOUT GRID CAP

UNLESS OTHERWISE SPECIFIED TOLERANCES ARE:

DRAWN		CHECKED		ENGINEER	
BB	12/17/15	ECB	12/17/15	MJN	12/17/15

DIMENSIONS IN INCHES
 DECIMALS XX ±.03
 XXX ±.010
 ANGLES ± 2 DEGREES

DIMENSIONS IN MILLIMETERS [IN BRACKETS]
 DECIMALS X ± 0.8
 XX ± 0.25
 ANGLES ± 2 DEGREES

FILLETS AND RADII
 .003 - .005

FILLETS AND RADII
 0.07 - 0.13

TITLE
 OUTLINE DRAWING
 1" PRE-POLARIZED
 MICROPHONES

PCB PIEZOTRONICS™
 3425 WALDEN AVE. DEPEW, NY 14043
 (716) 684-0001 E-MAIL: sales@pcb.com

CODE IDENT. NO. 52681
 DWG. NO. 63103

SCALE: 2.5X SHEET 1 OF 1

2

1