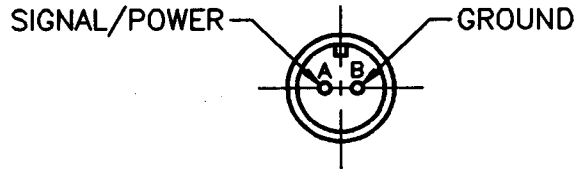


2280

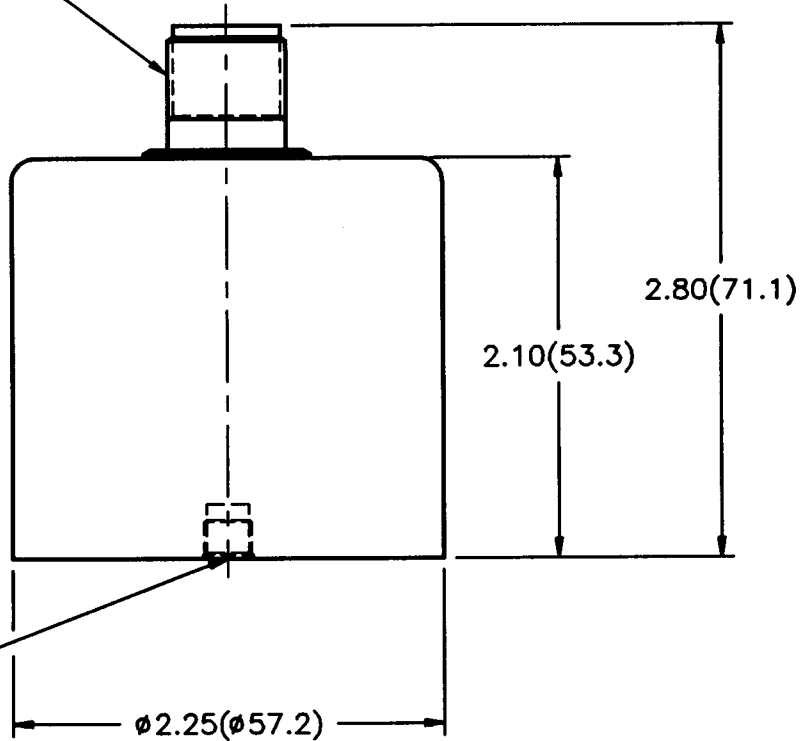
APPLICATION		
NEXT ASS'Y	USED ON	VAR

REVISIONS				
REV	DESCRIPTION	ECN	DATE	APP'D

TOP VIEW OF CONNECTOR



ELECTRICAL CONNECTOR
5/8-24 UNEF-2A
2 PIN (MIL-C-5015)



1/4-28 UNF-2B
X .200(5.08) ∇

UNLESS SPECIFIED TOLERANCES		DRAWN				MFG		PCB	PIEZOTRONICS, INC.	
DIMENSIONS IN INCHES	DIMENSIONS IN MILLIMETERS (IN PARENTHESIS)	CHK'D	DM	2/16/95	ENGR	PL	2/8/95		3425 WALDEN AVE. DEPEW, NEW YORK 14043	PHONE: (716) 884-0001
DECIMALS XX ± .01	DECIMALS XX ± 0.3	APP'D	U.F.	2/16/95	SALES	GN	2/8/95	CODE IDENT. NO.	2280	
XXX ± .005	XXX ± 0.13	TITLE						52681	SCALE: FULL SHEET 1 OF 1	
ANGLES ± 2 DEGREES	ANGLES ± 2 DEGREES	OUTLINE DRAWING								
FILLETS AND RADII .003 - .005	FILLETS AND RADII (0.07 - 0.13)	MODEL 393B31								
		SEISMIC ACCELEROMETER								
00011 REV. NR 10/25/94										