

2

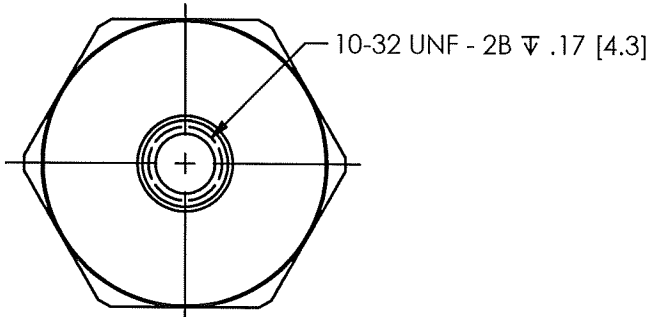
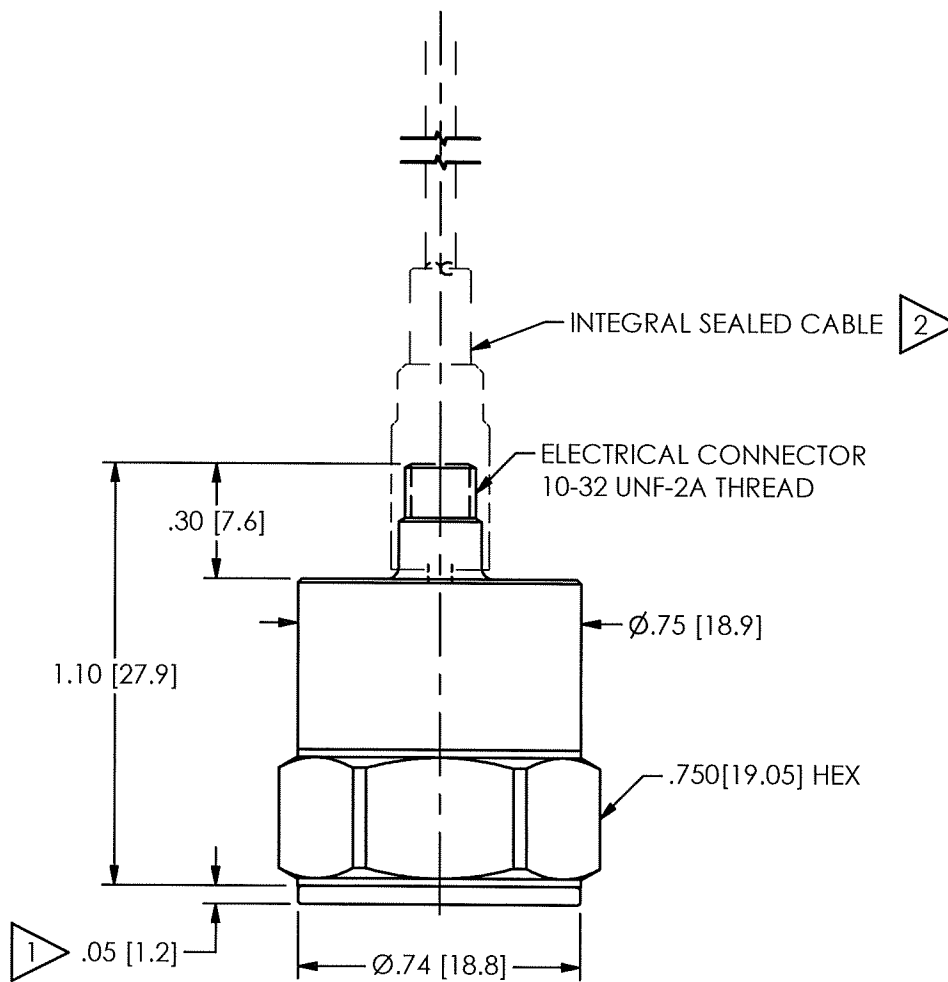
1

PCB Piezotronics Inc. claims proprietary rights in the information disclosed hereon. Neither it nor any reproduction thereof will be disclosed to others without the written consent of PCB Piezotronics Inc.

REVISIONS

REV	DESCRIPTION	DIN
A	ADDED NOTE 2	38956

18863



- 2 ADD CABLE FOR SENSOR WITH WATER RESISTANT OPTION
- 1 ADD DIMENSION FOR SENSOR WITH GROUND ISOLATION OPTION.

UNLESS OTHERWISE SPECIFIED TOLERANCES ARE:		DRAWN	CHECKED	ENGINEER	 PCB PIEZOTRONICS ^{INC} 3425 WALDEN AVE. DEPEW, NY 14043 (716) 684-0001 E-MAIL: sales@pcb.com	
DIMENSIONS IN INCHES	DIMENSIONS IN MILLIMETERS [IN BRACKETS]	JDM	4/18/12	JDK		4/18/12
DECIMALS XX ±.03 XXX ±.010	DECIMALS X ±0.8 XX ±0.25	TITLE OUTLINE DRAWING MODEL 352B SERIES ACCELEROMETER			CODE IDENT. NO. 52681	DWG. NO. 18863
ANGLES ± 2 DEGREES	ANGLES ± 2 DEGREES				SCALE: 3X	SHEET 1 OF 1
FILLETS AND RADII .003 - .005	FILLETS AND RADII 0.07 - 0.13					

2

1