

2

1

PCB Piezotronics Inc. claims proprietary rights in the information disclosed hereon. Neither it nor any reproduction thereof will be disclosed to others without the written consent of PCB Piezotronics Inc.

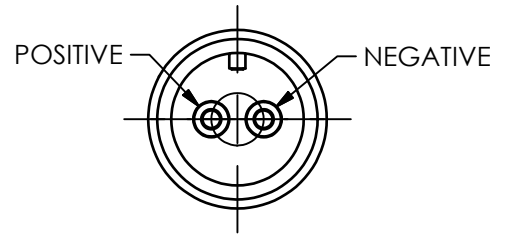
REVISIONS

REV	DESCRIPTION	DIN
B	UPDATED TITLE	44106

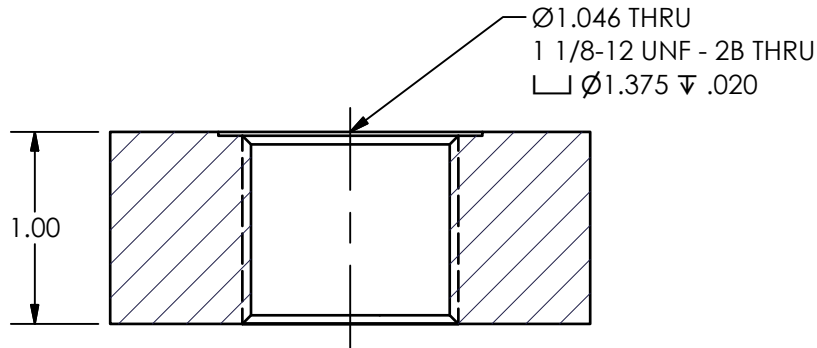
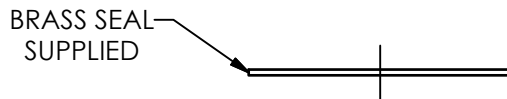
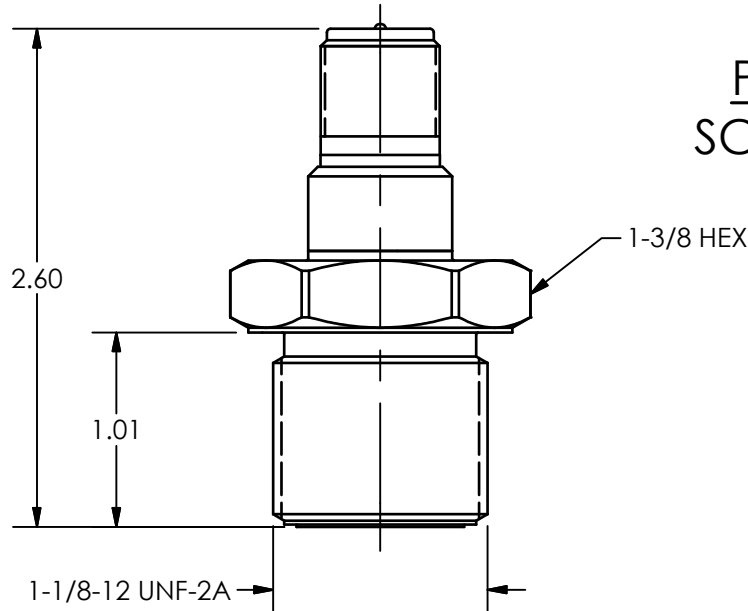
33819

RELATED DRAWING

NO MODIFICATIONS PERMITTED WITHOUT THE APPROVAL OF THE AUTHORIZED PERSON



PIN OUT  
SCALE 1.5X



1.) RECOMMENDED MOUNTING TORQUE ON A 1-3/8 HEX IS: 55-60 FT/LBS [74.6-81.4 Nm]

UNLESS OTHERWISE SPECIFIED TOLERANCES ARE:		DRAWN		CHECKED		ENGINEER		 3425 WALDEN AVE. DEPEW, NY 14043 (716) 684-0001 E-MAIL: sales@pcb.com		
DIMENSIONS IN INCHES	DIMENSIONS IN MILLIMETERS [ IN BRACKETS ]	BB	4/28/15	ECB	4/28/15	GGG	4/28/15			
DECIMALS XX ±.01 XXX ±.005	DECIMALS X ± 0.3 XX ± 0.13	TITLE INSTALLATION DRAWING MODEL 171XYYY SERIES							CODE IDENT. NO. 52681	DWG. NO. 33819
ANGLES ± 2 DEGREES	ANGLES ± 2 DEGREES								SCALE: FULL	
FILLETS AND RADII .003 - .005	FILLETS AND RADII 0.07 - 0.13									

2

1