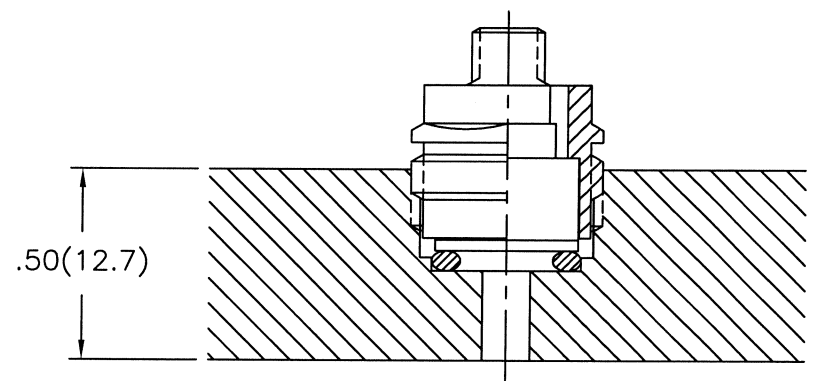
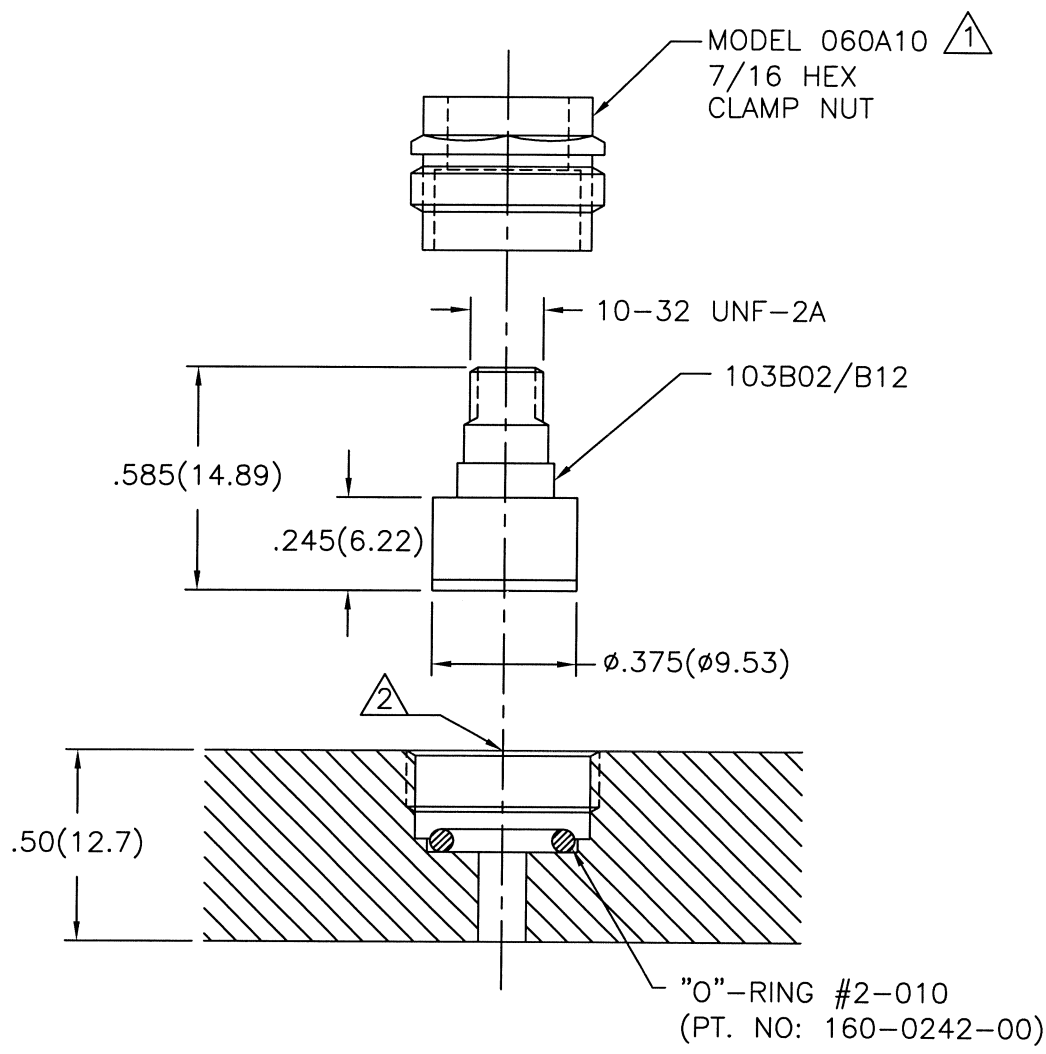


APPLICATION		
NEXT ASS'Y	USED ON	VAR

PCB Piezotronics Inc. claims proprietary rights in the information disclosed hereon. Neither it nor any reproduction thereof will be disclosed to others without written consent of PCB Piezotronics Inc.

REVISIONS					
ZONE	REV	DESCRIPTION	ECN	DATE	APP'D
	B	REVISED PER ECR	22553	11/21/03	DM 7/05



AFTER INSTALLATION

INSTALLED WITH  
"O" RING AS SHOWN

- △ MOUNTING HOLE PREPERATION
- .125(○3.18)
- THRU
- ┌ ○.390(○9.91)
- X .265(6.73) ▽
- ┌ ○.453(○11.51)
- X .230(5.84) ▽
- 1/2-20 UNF-2B
- X .160(4.06) ▽

△ RECOMMENDED MOUNTING TORQUE IS TO BE 3-5 INCH POUNDS (.34 - .56 Nm)

UNLESS SPECIFIED TOLERANCES	
DIMENSIONS IN INCHES	DIMENSIONS IN MILLIMETERS [IN BRACKETS]
DECIMALS XX ±.01	DECIMALS X ±0.3
XXX ±.005	XX ±0.13
ANGLES ±2 DEGREES	ANGLES ±2 DEGREES
FILLETS AND RADII .003 - .005	FILLETS AND RADII [0.07 - 0.13]
DD012 REV. C 01/21/03	

DRAWN	ECR	7/22/05	MFG	KLG	7/26/05
CHK'D	DM	7/27/05	ENGR	NJL	7/22/05
APP'D	RE	7/29/05	SALES	DPC	7/26/05
TITLE					
INSTALLATION DRAWING					
MODEL 103B02, B12					
ICP PRESSURE SENSOR					

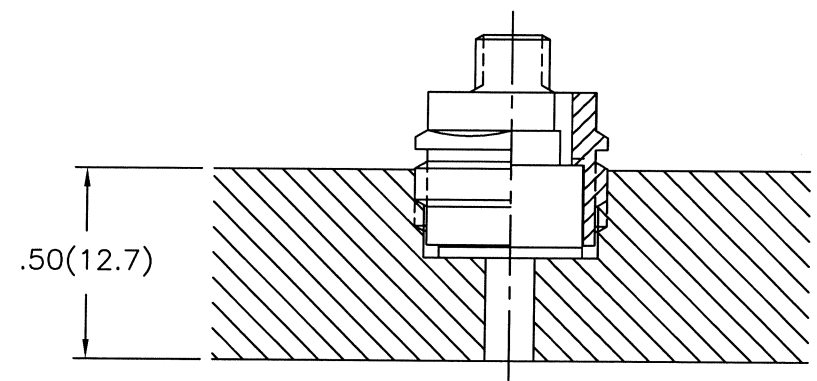
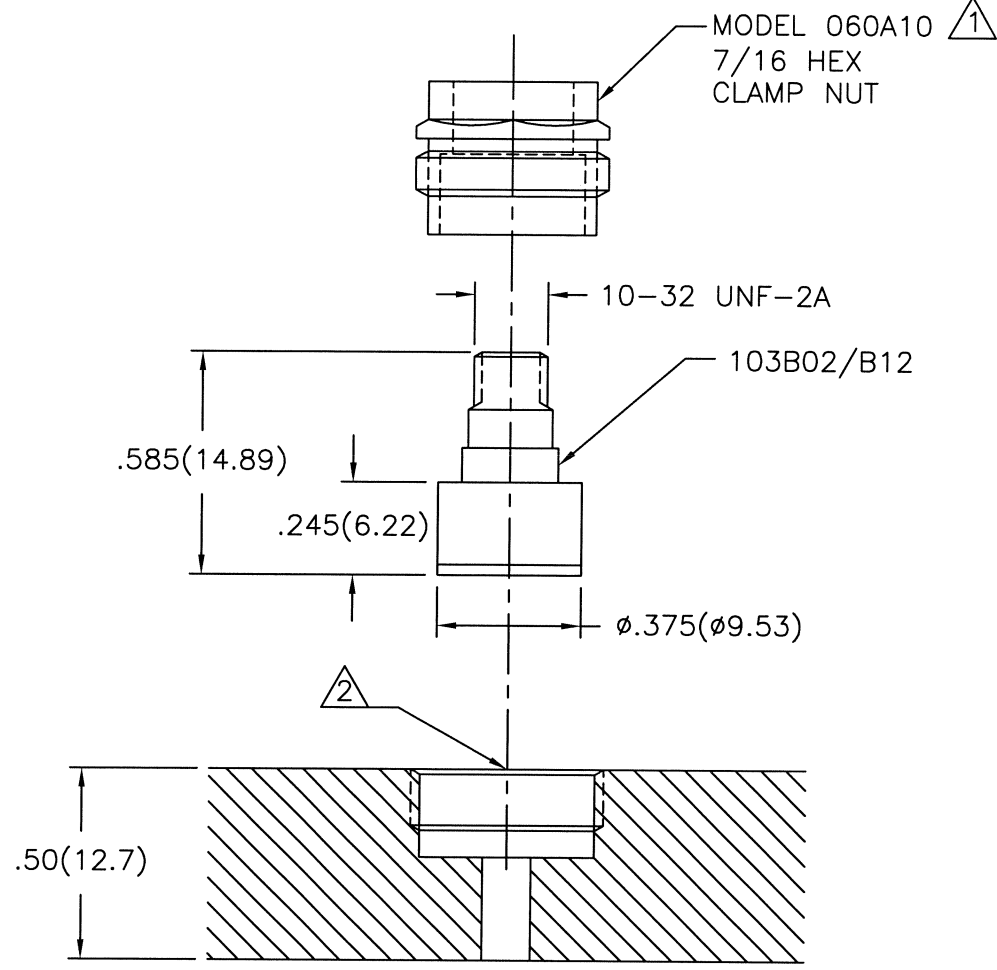
**PCB PIEZOTRONICS**  
 3425 WALDEN AVE. DEPEW, NY 14043  
 (716) 684-0001 EMAIL: SALES@PCB.COM

CODE IDENT. NO. 52681	DWG. NO. 22414
SCALE: 2X	SHEET 1 OF 3

APPLICATION		
NEXT ASS'Y	USED ON	VAR

PCB Piezotronics Inc. claims proprietary rights in the information disclosed hereon. Neither it nor any reproduction thereof will be disclosed to others without written consent of PCB Piezotronics Inc.

REVISIONS					
ZONE	REV	DESCRIPTION	ECN	DATE	APP'D
		- SEE SHEET ONE -			DM/05



INSTALLED WITHOUT "O" RING AS SHOWN

2 MOUNTING HOLE PREPERATION  
 0.125(3.18)  
 THRU  
 0.453(11.51)  
 X .230(5.84) ▽  
 1/2-20 UNF-2B  
 X .160(4.06) ▽

1 RECOMMENDED MOUNTING TORQUE IS TO BE 3-5 INCH  
 POUNDS (.34 - .56 Nm)

UNLESS SPECIFIED TOLERANCES	
DIMENSIONS IN INCHES	DIMENSIONS IN MILLIMETERS
DECIMALS XX ±.01	[IN BRACKETS] X ±0.3
XXX ±.005	XX ±0.13
ANGLES ±2 DEGREES	ANGLES ±2 DEGREES
FILLETS AND RADII .003 - .005	FILLETS AND RADII [0.07 - 0.13]
DD012 REV. C 01/21/03	

DRAWN	ECR	7/22/05	MFG	KLG	7/26/05
CHK'D	DM	7/27/05	ENGR	NJL	7/27/05
APP'D	RF	7/29/05	SALES	DPC	7/29/05
TITLE					
INSTALLATION DRAWING					
MODEL 103B02, B12					
ICP PRESSURE SENSOR					

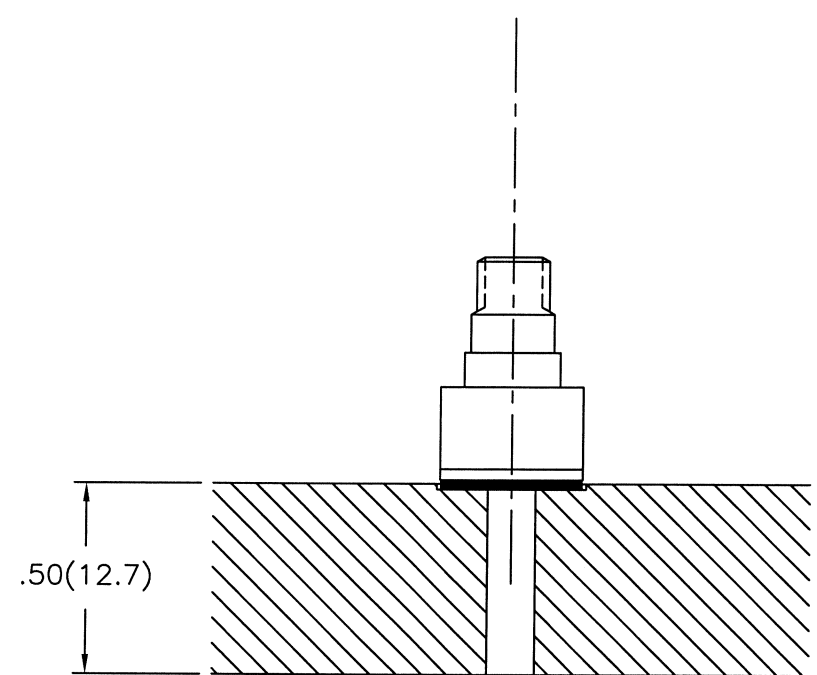
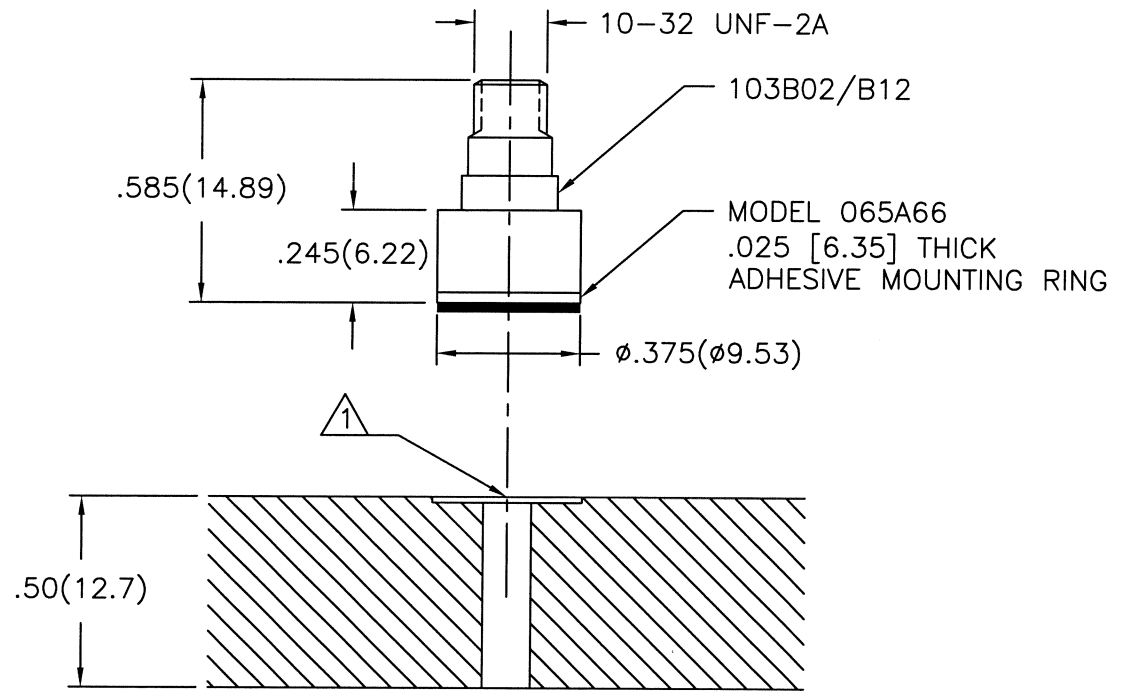
3425 WALDEN AVE. DEPEW, NY 14043 (716) 684-0001 EMAIL: SALES@PCB.COM	
CODE IDENT. NO. 52681	DWG. NO. 22414
SCALE: 2X	SHEET 2 OF 3

APPLICATION		
NEXT ASS'Y	USED ON	VAR

PCB Piezotronics Inc. claims proprietary rights in the information disclosed hereon. Neither it nor any reproduction thereof will be disclosed to others without written consent of PCB Piezotronics Inc.

REVISIONS					
ZONE	REV	DESCRIPTION	ECN	DATE	APP'D
		- SEE SHEET ONE -			DM7/05

22414



AFTER INSTALLATION

INSTALLED WITH  
ADHESIVE MOUNTING RING

▲ MOUNTING HOLE PREPERATION  
 ø.125(ø3.18)  
 THRU  
 □ ø.390(ø9.91)  
 X .015/.030(.38/.76) ▽

UNLESS SPECIFIED TOLERANCES				DRAWN		MFG		PCB PIEZOTRONICS™	
DIMENSIONS IN INCHES	DIMENSIONS IN MILLIMETERS	ECB	7/25/05	AKG	7/26/05	3425 WALDEN AVE. DEPEW, NY 14043			
DECIMALS XX ±.01	[IN BRACKETS]	CHK'D	DM	ENGR	NJL	(716) 684-0001 EMAIL: SALES@PCB.COM			
XXX ±.005	DECIMALS X ±0.3	APP'D	RE	SALES	JAC	CODE DWG. NO.			
ANGLES ±2 DEGREES	DECIMALS XX ±0.13	TITLE	7/29/05	7/26/05	INSTALLATION DRAWING				
FILLETS AND RADII	ANGLES ±2 DEGREES	MODEL 103B02, B12			IDENT. NO.		22414		
.003 - .005	FILLETS AND RADII	ICP PRESSURE SENSOR			52681		SCALE: 2X SHEET 3 OF 3		
	[0.07 - 0.13]	DD012 REV. C 01/21/03							