

1900

PCB Piezotronics Inc. claims proprietary rights in the information disclosed hereon. Neither it nor any reproduction thereof will be disclosed to others without written consent of PCB Piezotronics Inc.

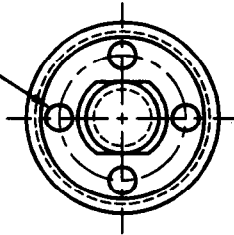
APPLICATION

NEXT ASS'Y	USED ON	VAR

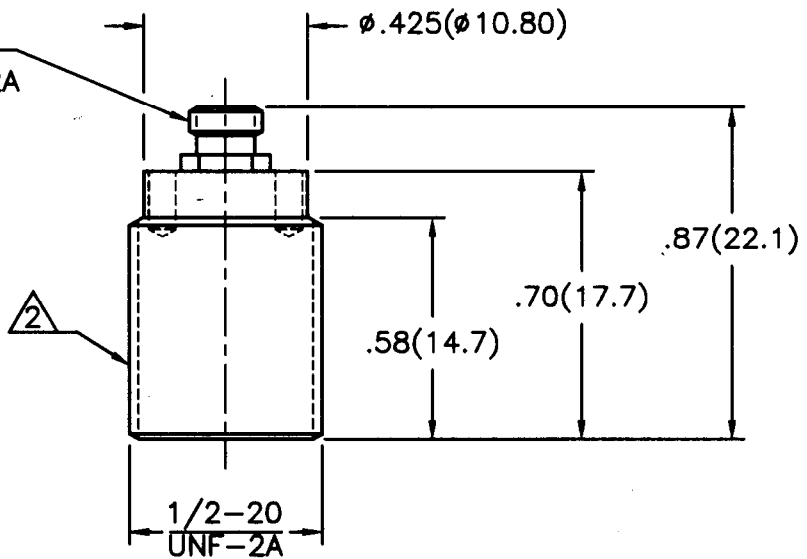
REVISIONS

REV	DESCRIPTION	ECN	DATE	APP'D
A	UPDATED AND REDRAWN	12273	8/23/00	<i>PL</i>

SPANNER WRENCH HOLES

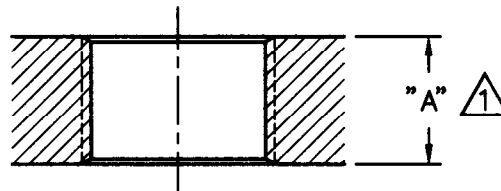


ELECTRICAL CONNECTOR
CO-AXIAL 10-32 UNF-2A



MOUNTING HOLE PREPARATION

DRILL $\phi .453(\phi 11.51)$
THRU
TAP 1/2-20 UNF-2B
THRU



$\triangle 2$ USE OF TEFLON TAPE IS RECOMMENDED WHEN MOUNTING ADAPTOR.

$\triangle 1$ "A" DIMENSION TO SUIT USER REQUIREMENTS.

UNLESS SPECIFIED TOLERANCES		DRAWN	<i>SMZ</i>	<i>8/23/00</i>	MFG	<i>ROA</i>	<i>8/23/00</i>	 3425 WALDEN AVE. DEPEW, NY 14043 (716) 684-0001 EMAIL: SALES@PCB.COM	
DIMENSIONS IN INCHES	DIMENSIONS IN MILLIMETERS (IN PARENTHESIS)	CHK'D	<i>SM</i>	<i>8/23/00</i>	ENGR	<i>LAB</i>	<i>8/23/00</i>		
DECIMALS XX $\pm .01$ XXX $\pm .005$ ANGLES ± 2 DEGREES	DECIMALS XX ± 0.3 XXX ± 0.13 ANGLES ± 2 DEGREES	APP'D	<i>PL</i>	<i>8/23/00</i>	SALES	<i>Jmm</i>	<i>8/23/00</i>		
FILLETS AND RADII .003 - .005	FILLETS AND RADII (0.07 - 0.13)	TITLE INSTALLATION DRAWING MODEL 132A36 DYNAMIC PRESSURE SENSOR						CODE IDENT. NO. 52681	DRG. NO. 1900
DD011 REV. B 03/13/98		SCALE: 2X						SHEET 1 OF 1	