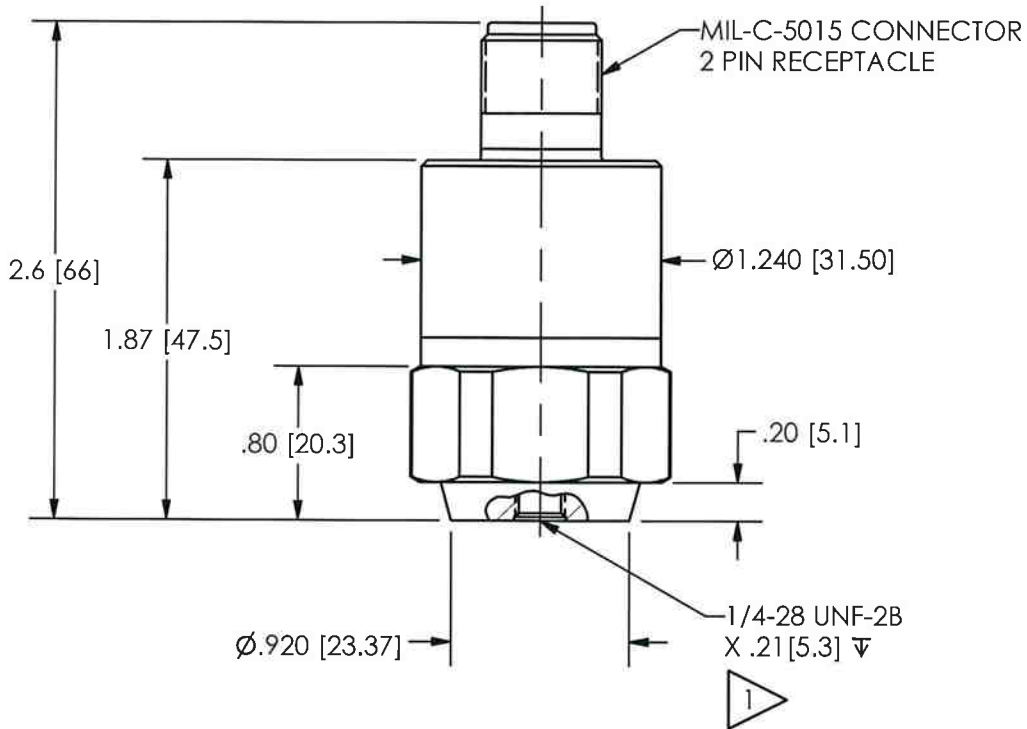
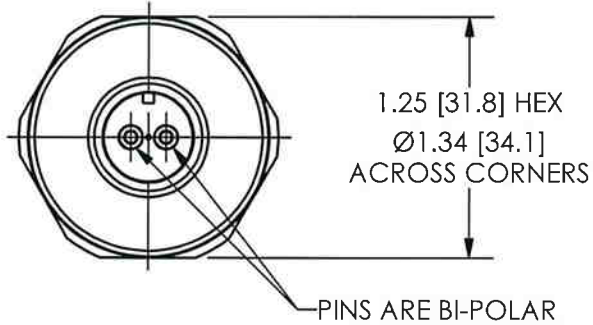


PCB Piezotronics Inc. claims proprietary rights in the information disclosed hereon. Neither it nor any reproduction thereof will be disclosed to others without the written consent of PCB Piezotronics Inc.

REVISIONS

REV	DESCRIPTION	ECN	APP'D
NR	RELEASED TO DRAFTING		mDF 8/21/08

40111



1 MODEL 081A40 MOUNTING STUD SUPPLIED AS STANDARD. FOR M PREFIX MODELS (M686B SERIES) MODEL M081A61 (M6 X 1.0 TO 1/4-28) MOUNTING STUD REPLACES 081A40.

UNLESS OTHERWISE SPECIFIED TOLERANCES ARE:

DIMENSIONS IN INCHES	DIMENSIONS IN MILLIMETERS [IN BRACKETS]
DECIMALS XX ± .03 XXX ± .010	DECIMALS X ± 0.8 XX ± 0.25
ANGLES ± 2 DEGREES	ANGLES ± 2 DEGREES

FILLETS AND RADII .003 - .005	FILLETS AND RADII [0.07 - 0.13]
-------------------------------	---------------------------------

DRAWN	mDF	8/21/08	MFG	JST	8/21/08
CHK'D	mDF	8/21/08	ENGR	MJN	8/21/08
APP'D	RYS	8/21/08	SALES	JST	8/22/08

TITLE
 OUTLINE DRAWING
 MODEL 686B SERIES
 VIBRATION SWITCH

PCB PIEZOTRONICS^{INC}
 3425 WALDEN AVE. DEPEW, NY 14043
 (716) 684-0001 E-MAIL: sales@pcb.com

CODE IDENT. NO. 52681	DWG. NO. 40111
SCALE: FULL	SHEET 1 OF 1