

29425

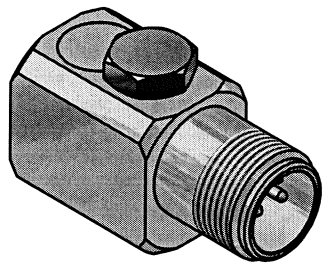
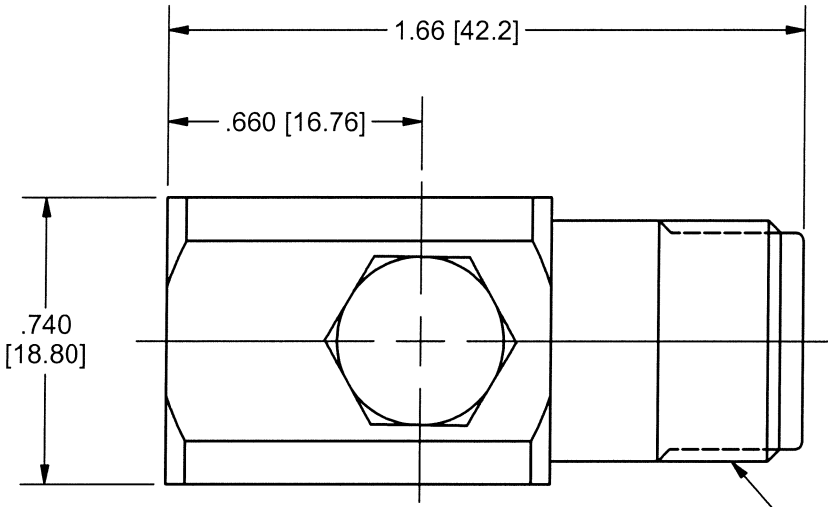
PCB Piezotronics Inc. claims proprietary rights in the information disclosed hereon. Neither it nor any reproduction thereof will be disclosed to others without the written consent of PCB Piezotronics Inc.

2 APPLICATION

NEXT ASSY	USED ON	VAR

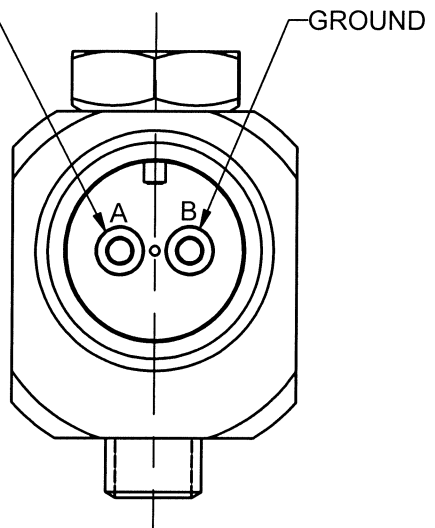
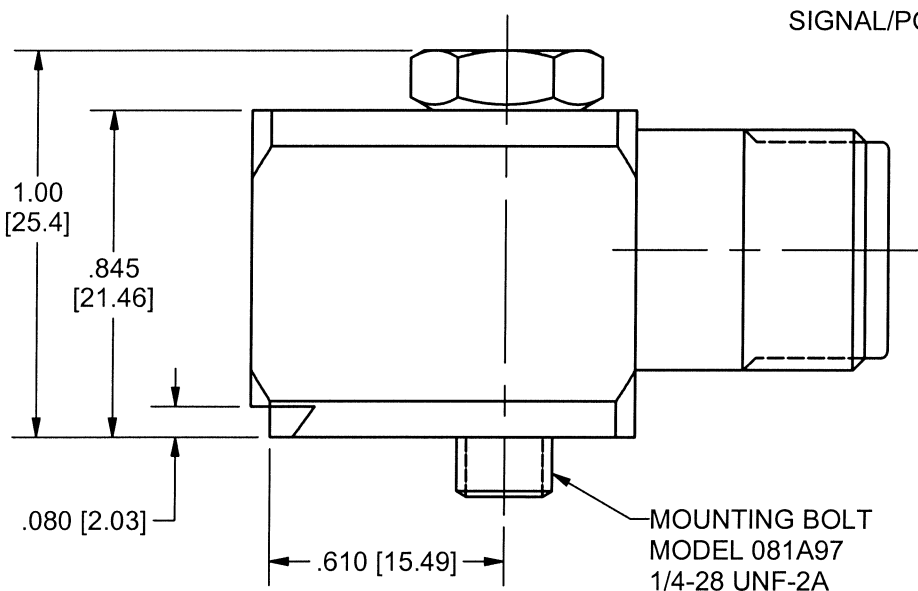
1 REVISIONS

REV	DESCRIPTION	ECN	APP'D
NR	RELEASED TO DRAFTING		<i>SM 3/23</i>



ACTUAL SIZE

ELECTRICAL CONNECTOR  
5/8-24 UNEF-2A  
2 PIN (MIL-C-5015)



MOUNTING BOLT  
MODEL 081A97  
1/4-28 UNF-2A  
X 1.00 [25.4] LONG  
(SUPPLIED)



1 FOR METRIC ACCELEROMETER (MODEL M602D01) USE MOUNTING BOLT MODEL M081A97, M6 X 1.00-6g X 1.00 [25.4] LONG.

UNLESS OTHERWISE SPECIFIED TOLERANCES ARE:

DIMENSIONS IN INCHES	DIMENSIONS IN MILLIMETERS [IN BRACKETS]
DECIMALS XX ± .03	DECIMALS X ± 0.8
XXX ± .010	XX ± 0.25
ANGLES ± 2 DEGREES	ANGLES ± 2 DEGREES

DRAWN	<i>RCE 3/2/05</i>	MFG	<i>D.L. 3/2/05</i>
CHK'D	<i>SM 3/3/05</i>	ENGR	<i>J.B. 3/3/05</i>
APP'D	<i>SM 3/3/05</i>	SALES	<i>3/3/05</i>
TITLE	OUTLINE DRAWING		

**PCB PIEZOTRONICS** INC.  
3425 WALDEN AVE. DEPEW, NY 14043  
(716) 684-0001 E-MAIL: sales@pcb.com

CODE IDENT. NO. 52681	DWG. NO. <b>29425</b>
SCALE: 2X	SHEET 1 OF 1