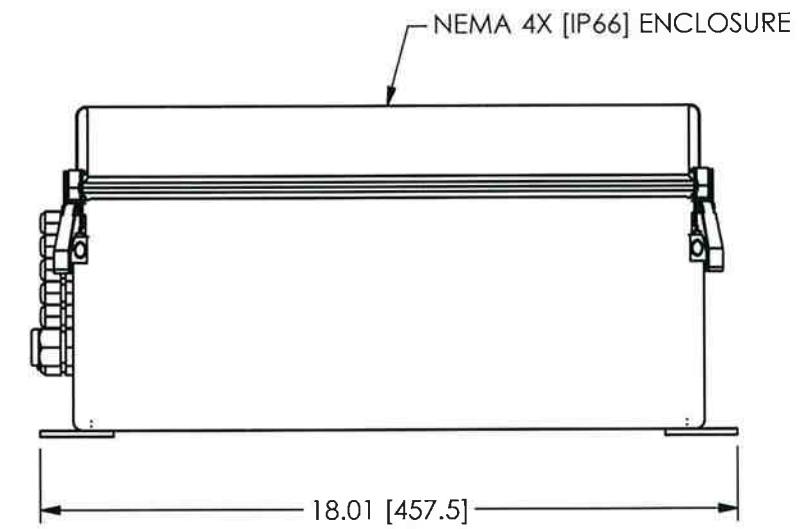
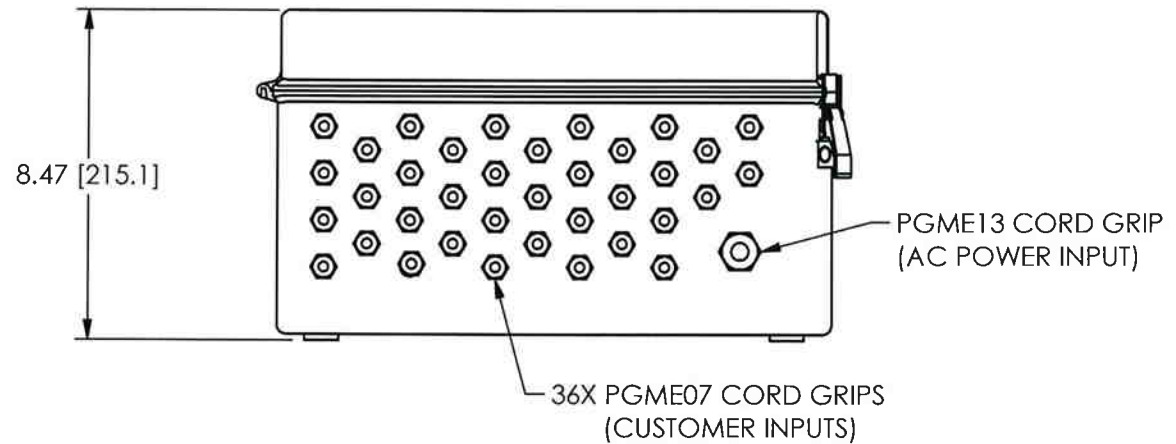
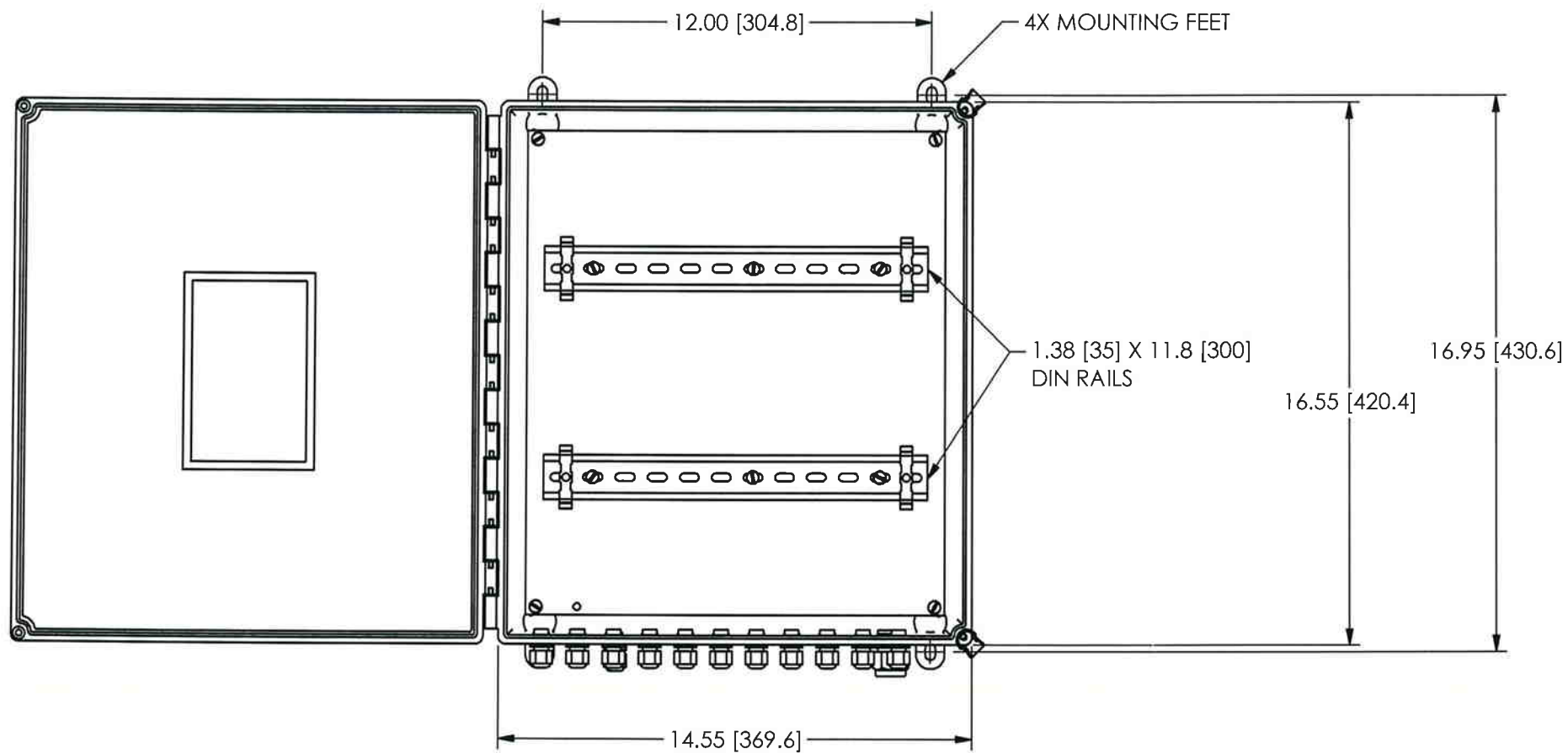


PCB Piezotronics Inc. claims proprietary rights in the information disclosed hereon. Neither it nor any reproduction thereof will be disclosed to others without the written consent of PCB Piezotronics Inc.

46071

REVISIONS		
REV	DESCRIPTION	ECO
NR	RELEASED TO DRAFTING	
A	UPDATED PLATE LOCATION HOLE	33069



- 3.) NUMBER AFTER "/" IN MODEL NUMBER DESIGNATES NUMBER OF PGME07 CORD GRIPS
- 2.) MAXIMUM 24 CHANNELS
- 1.) WEIGHT XX [XX]

UNLESS OTHERWISE SPECIFIED TOLERANCES ARE:		DRAWN	CHECKED	ENGINEER	PCB PIEZOTRONICS INC.		
DIMENSIONS IN INCHES	DIMENSIONS IN MILLIMETERS [IN BRACKETS]	8/23/10	ECB	DORT	6/8/10	3425 WALDEN AVE. DEPEW, NY 14043 (716) 684-0001 E-MAIL: sales@pcb.com	
DECIMALS XX ±.03 XXX ±.010	DECIMALS X ± 0.8 XX ± 0.25	TITLE OUTLINE DRAWING MODEL 682A10 ENCLOSURE WITH DIN RAILS				CODE IDENT. NO. 52681	DWG. NO. 46071
ANGLES ± 2 DEGREES	ANGLES ± 2 DEGREES					SCALE: .2X	SHEET 1 OF 1
FILLETS AND RADII .003 - .005	FILLETS AND RADII 0.07 - 0.13						