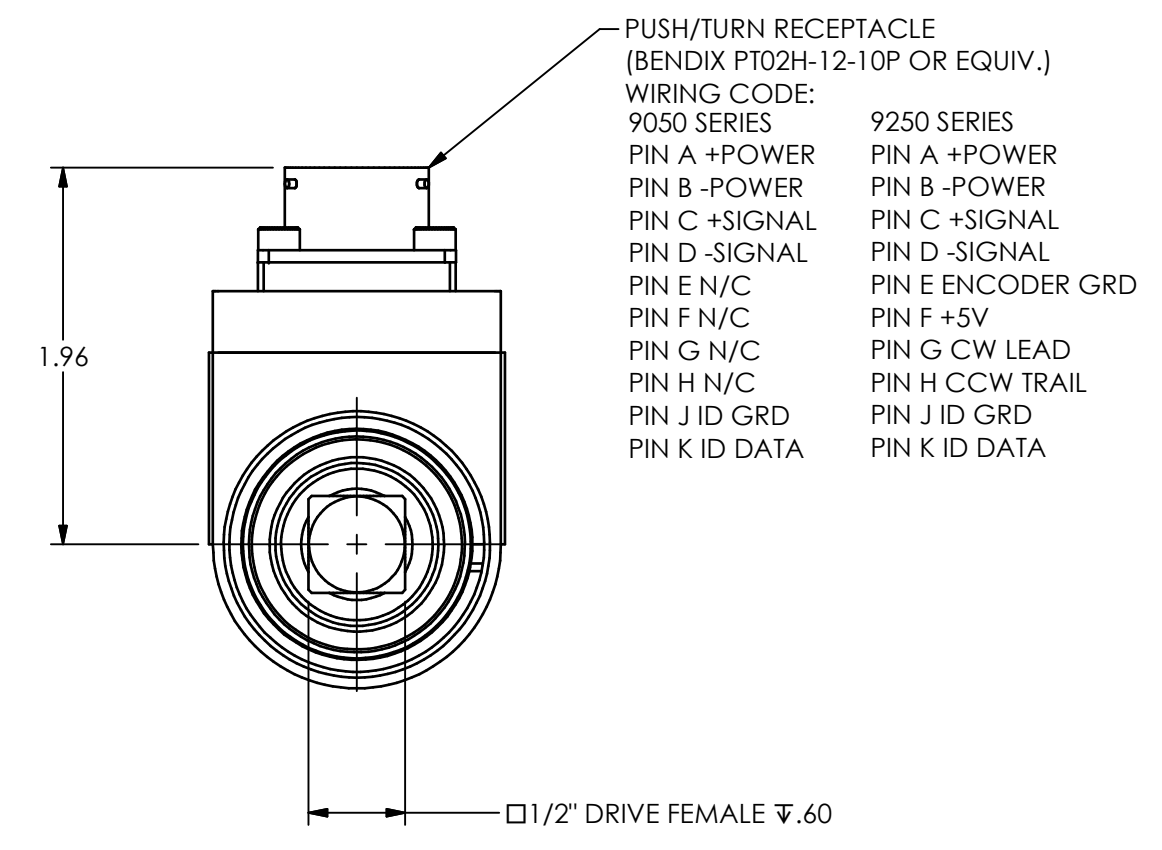
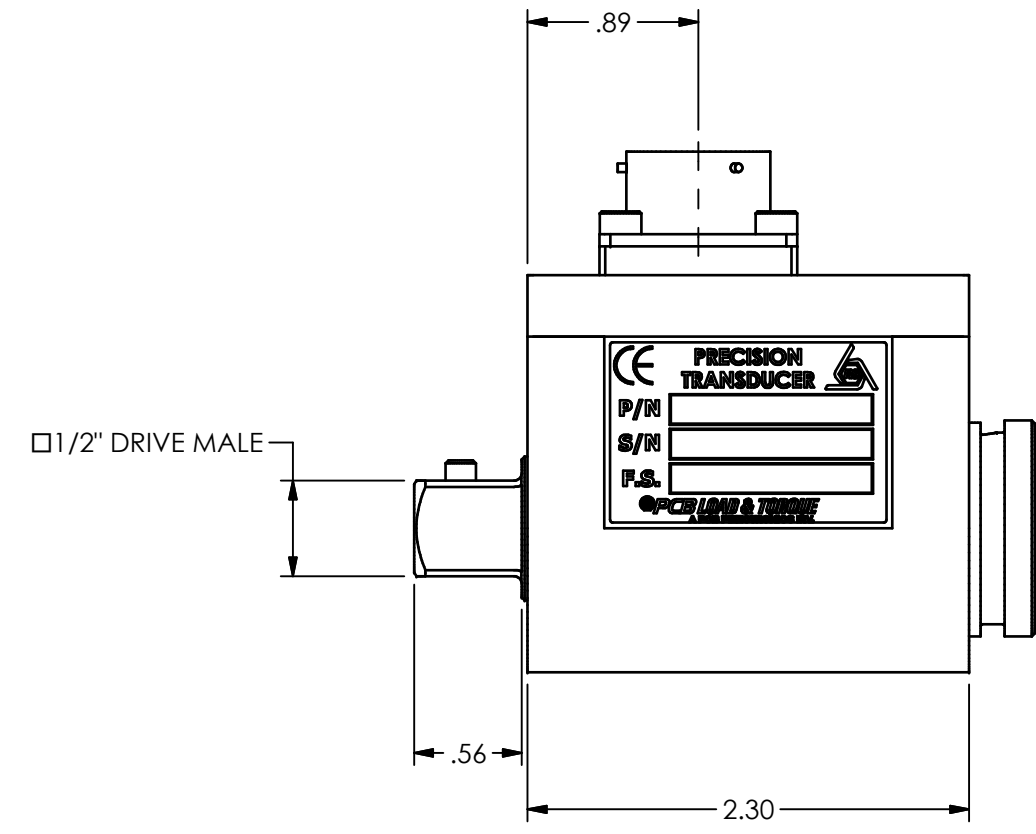
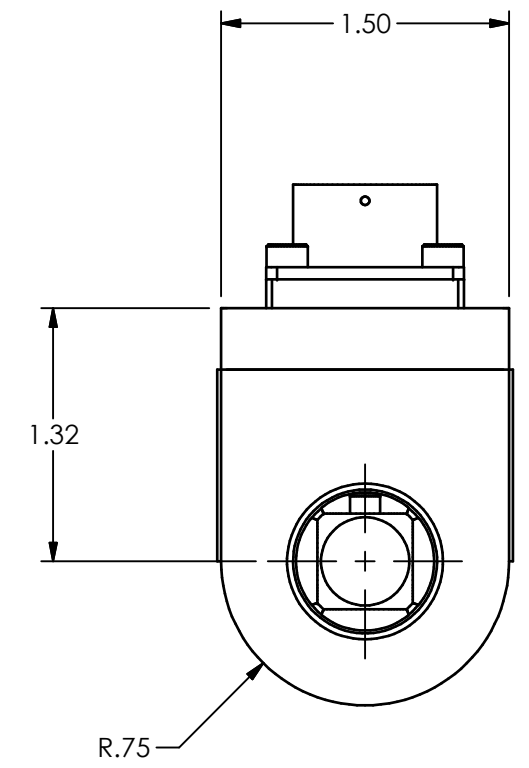
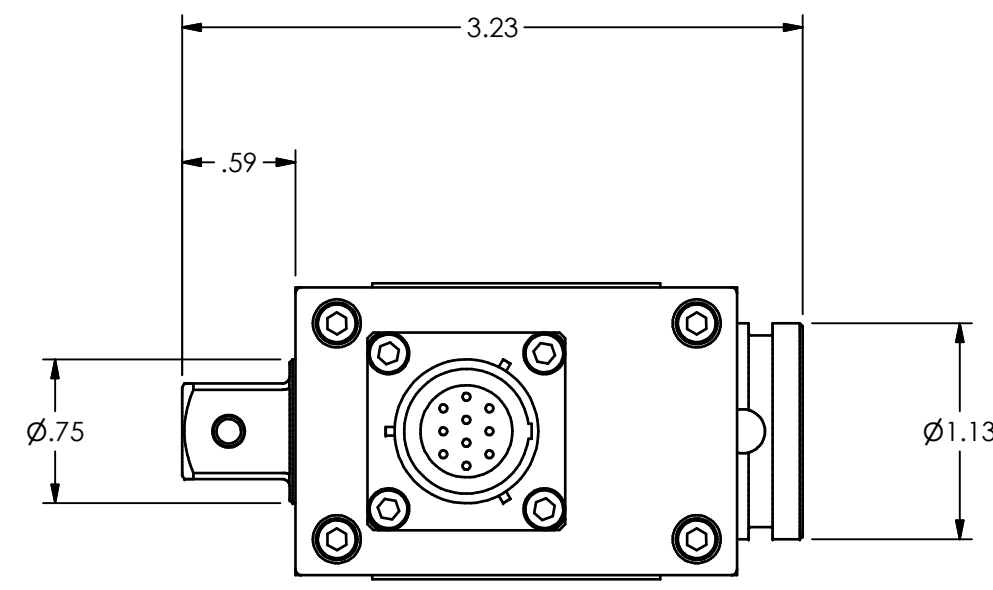
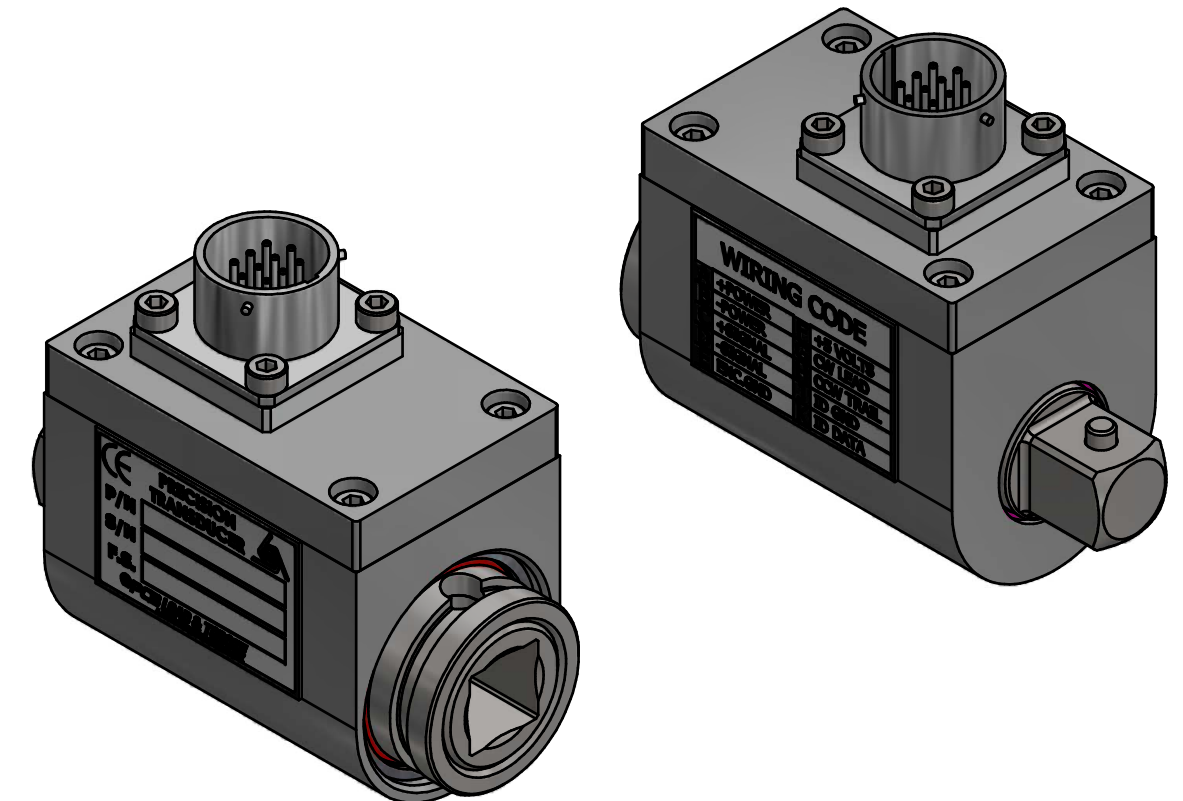


PCB Load & Torque Inc. claims proprietary rights in the information disclosed hereon. Neither it nor any reproduction thereof will be disclosed to others without the written consent of PCB Load and Torque Inc.

48350

| REVISIONS | | |
|-----------|---|-------|
| REV | DESCRIPTION | ECO |
| A | UPDATED DIM'S AND WIRING CODE - 06.21.17, PTE | 46925 |



| UNLESS OTHERWISE SPECIFIED TOLERANCES ARE: | | DRAWN | CHECKED | ENGINEER | A PCB GROUP COMPANY 24350 Indoplex Circle, Farmington Hills, MI 48335 (716) 684-0001 E-MAIL: itinfo@pcbloadtorque.com DWG. NO. 48350 SCALE: FULL SHEET 1 OF 1 | | |
|--|---|----------------------------|---------|----------|--|---------|-----|
| DIMENSIONS IN INCHES | DIMENSIONS IN MILLIMETERS [IN BRACKETS] | PTE | 3/22/12 | JAM | | 3/22/12 | PTE |
| DECIMALS XX ±.01 XXX ±.005 | DECIMALS X ± 0.3 XX ± 0.13 | TITLE | | | OUTLINE DRAWING ROTARY TORQUE 1/2" SQ. DRIVE, 10 PIN | | |
| ANGLES ± .5 DEGREES | ANGLES ± .5 DEGREES | FILLETS AND RADII .015 MAX | | | FILLETS AND RADII 0.38 MAX | | |