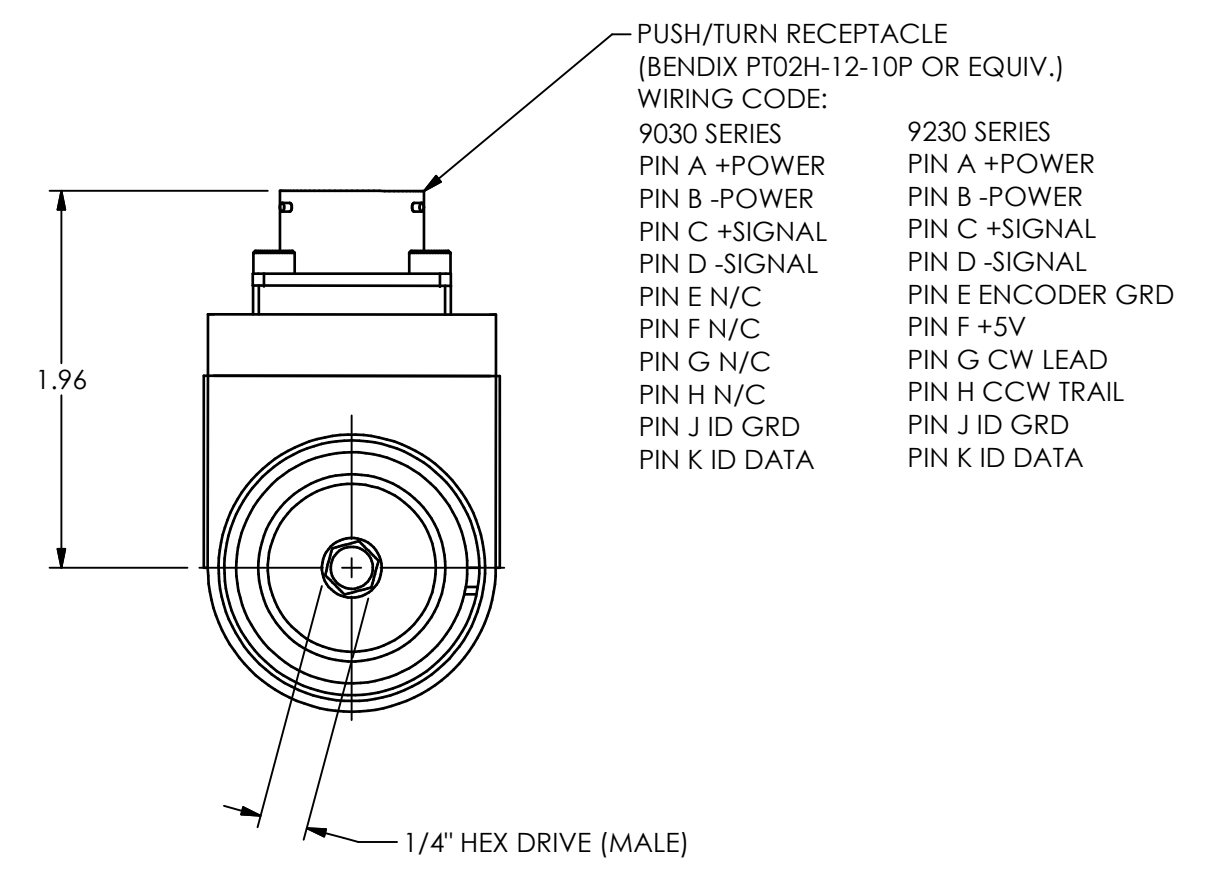
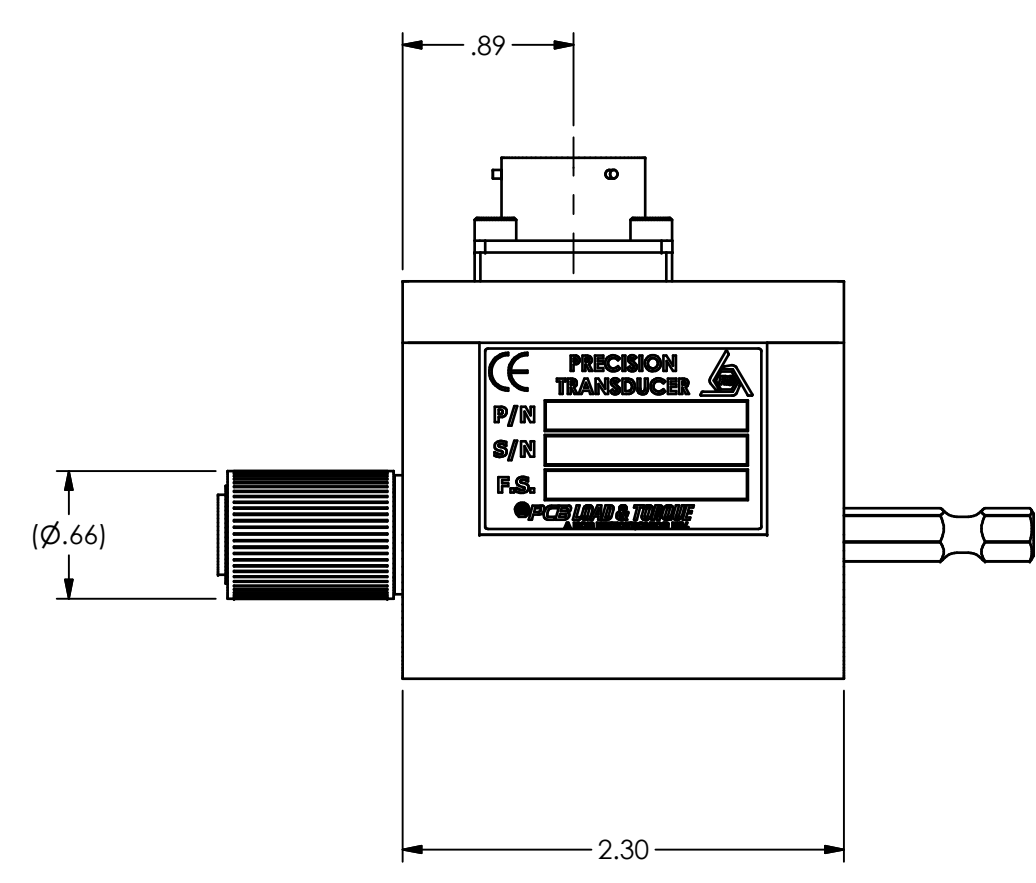
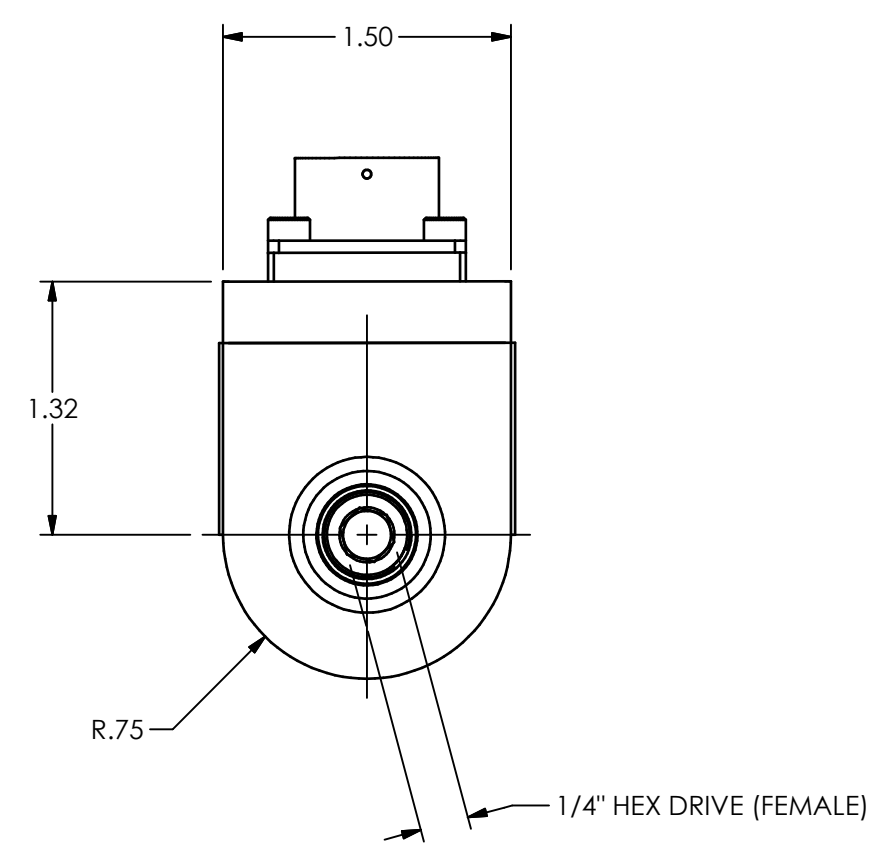
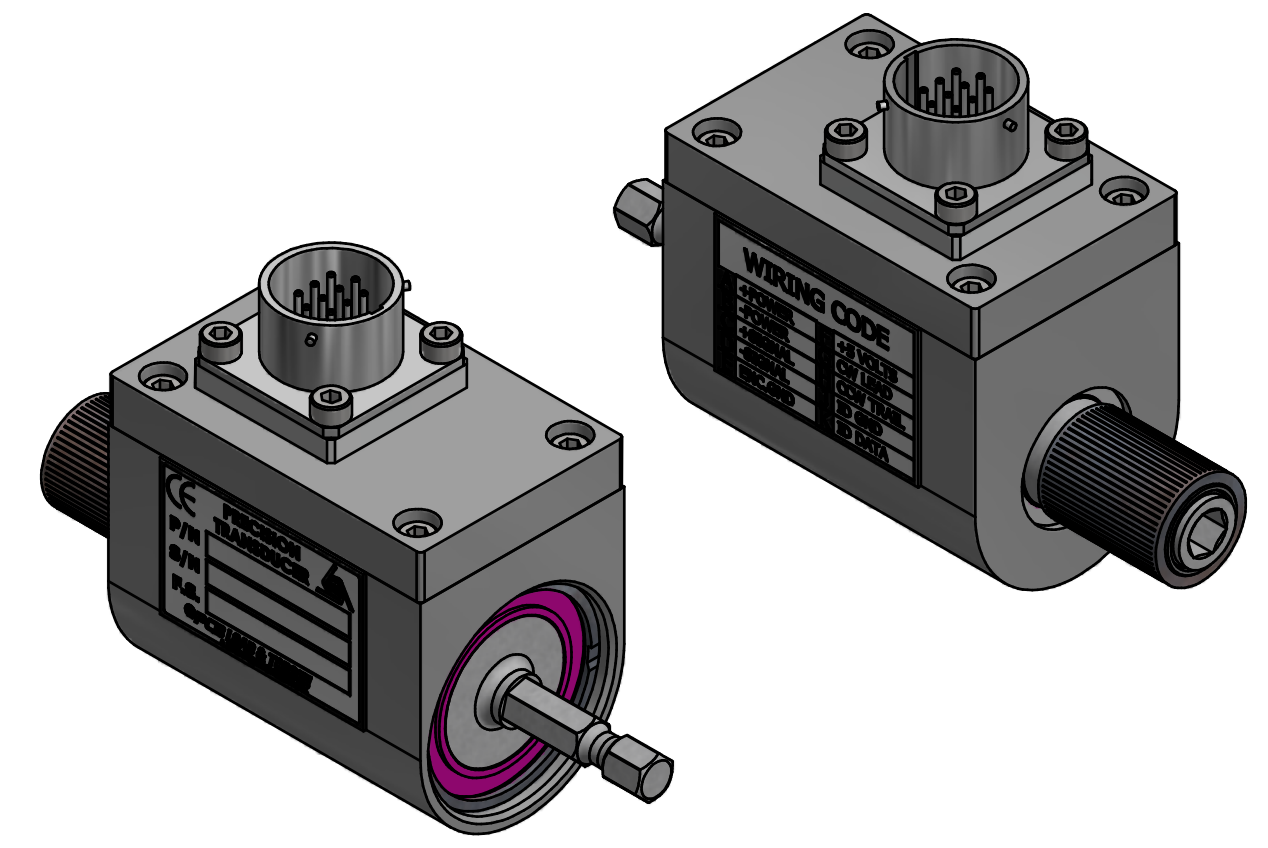
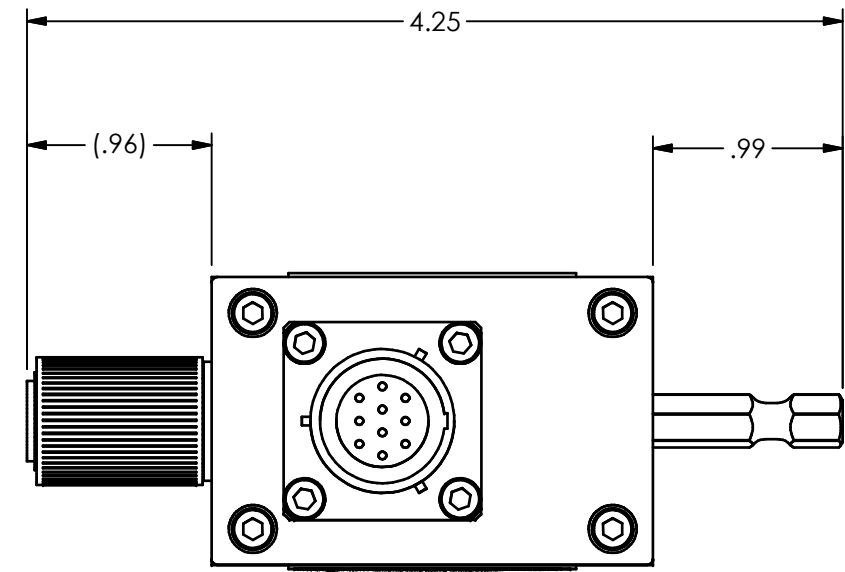


PCB Load & Torque Inc. claims proprietary rights in the information disclosed herein. Neither it nor any reproduction thereof will be disclosed to others without the written consent of PCB Load and Torque Inc.

45188

REVISIONS		
REV	DESCRIPTION	ECO
A	UPDATED DIM'S AND WIRING CODE - 06.21.17, PTE	46925



PUSH/TURN RECEPTACLE
(BENDIX PT02H-12-10P OR EQUIV.)
WIRING CODE:
9030 SERIES
PIN A +POWER
PIN B -POWER
PIN C +SIGNAL
PIN D -SIGNAL
PIN E N/C
PIN F N/C
PIN G N/C
PIN H N/C
PIN J ID GRD
PIN K ID DATA
9230 SERIES
PIN A +POWER
PIN B -POWER
PIN C +SIGNAL
PIN D -SIGNAL
PIN E ENCODER GRD
PIN F +5V
PIN G CW LEAD
PIN H CCW TRAIL
PIN J ID GRD
PIN K ID DATA

UNLESS OTHERWISE SPECIFIED TOLERANCES ARE:		DRAWN	CHECKED	ENGINEER	 A PCB GROUP COMPANY 24350 Indoplex Circle, Farmington Hills, MI 48335 (716) 684-0001 E-MAIL: itinfo@pcbloadtorque.com DWG. NO. 45188 SCALE: FULL SHEET 1 OF 1		
DIMENSIONS IN INCHES	DIMENSIONS IN MILLIMETERS [IN BRACKETS]	PTE	3/22/12	JAM		3/22/12	PTE
DECIMALS XX ±.01 XXX ±.005	DECIMALS X ± 0.3 XX ± 0.13	TITLE		OUTLINE DRAWING ROTARY TORQUE 1/4" HEX DRIVE, 10 PIN			
ANGLES ± .5 DEGREES	ANGLES ± .5 DEGREES						
FILLETS AND RADII .015 MAX	FILLETS AND RADII 0.38 MAX						