



MODELS 607A11 & 607A61

THE SWIVELER® AND SPINDLER® PATENTED ICP® ACCELEROMETERS

- Unique 360° swivel mount that allows for easy cable orientation
- Small footprint and low-profile design permits mounting in tight spaces
- Waterproof housing, ideal for submersible applications
- Independent 1/4-28 mounting stud for simple installation
- Intrinsically-safe options available

APPLICATIONS

- Gearboxes
- Motors
- Oil and Gas Wells & Pipelines
- Pumps and Submersible Pumps
- Wind Turbines



SMALL, SUBMERSIBLE SENSORS WITH SWIVELING MOUNTING STUD

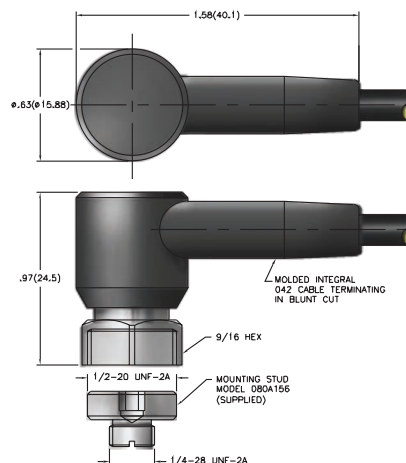
Installing vibration sensors into tight spots is quick and easy with Models 607A11 (Swiveler®) and 607A61 (Spindler®) ICP® Industrial Accelerometers. The unique design facilitates positioning of the integral, side-exit cable while the floating lock nut secures the sensor into place.

A low-cost, smaller-sized alternative to ring-style accelerometers, both products have definite advantages over other industrial grade vibration sensors. Offering a small footprint (only 9/16 inch) and 360° cable rotation, both products are excellent for permanent installations in space-restricted locations.

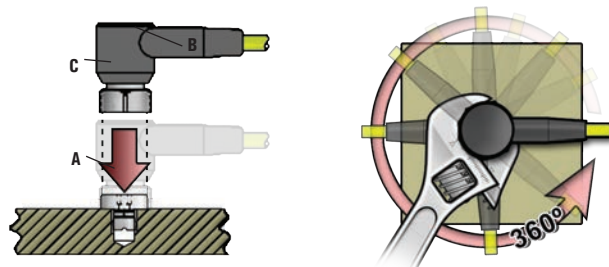
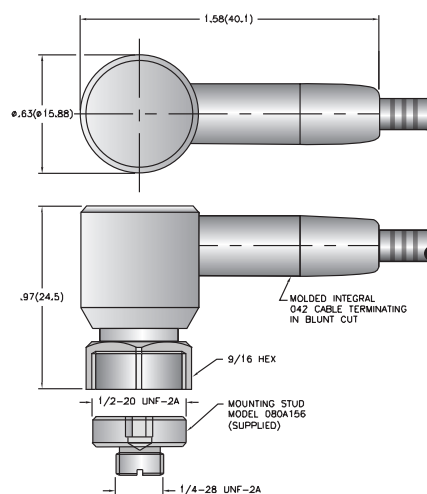
SPECIFICATIONS

Model Number	607A11	607A61
Performance		
Sensitivity ($\pm 15\%$)	100 mV/g 10.2 mV/(m/s ²)	
Measurement Range	± 50 g ± 490 m/s ²	
Frequency Range (± 3 dB)	0.5 to 10000 Hz	
Resonant Frequency	25000 Hz	
Broadband Resolution (1 to 10k Hz)	350 μ g 3434 μ m/s ²	
Non-Linearity	± 1 %	
Transverse Sensitivity	< 7 %	
Environmental		
Overload Limit (Shock)	5000 g pk 49050 m/s ² pk	
Temperature Range	-65 to +250 °F -54 to +121 °C	
Enclosure Rating	IP68	IP67
Electrical		
Settling Time (within 1% of bias)	≤ 2.0 sec	
Discharge Time Constant	≥ 0.3 sec	
Excitation Voltage	18 to 28 VDC	
Constant Current Excitation	2 to 20 mA	
Output Impedance	< 150 ohm	
Output Bias Voltage	8 to 12 VDC	
Spectral Noise (10 Hz)	8 μ g/ $\sqrt{\text{Hz}}$	
Spectral Noise (100 Hz)	5 μ g/ $\sqrt{\text{Hz}}$	
Spectral Noise (1 kHz)	4 μ g/ $\sqrt{\text{Hz}}$	
Electrical Isolation (Case)	$> 10^9$ ohm	
Physical		
Sensing Element	Ceramic Shear	
Housing Material	Stainless Steel	
Sealing	Welded Hermetic	
Mounting	Stud	
Mounting Thread	1/4-28 Male	
Mounting Torque (stud)	3 to 4 ft-lb 4.1 to 5.4 Nm	
Mounting Torque (hex nut)	2 to 3 ft-lb 2.7 to 4.1 Nm	
Cable Length	10 ft 3.0 m	
Cable Type	Polyurethane	Armored Polyurethane
Electrical Connector	Integral Cable	
Electrical Connection Position	Side	
Size (Hex x Height)	9/16 in x 0.97 in 14 mm x 24.6 mm	
Weight (with cable)	1.1 oz 31 gm	
Similar Models		
Hazardous Area Approved	EX607A11	EX607A61
Dual Output	TO607A11	TO607A61

Model 607A11



Model 607A61



Mounting hole is prepared on machine surface to accept sensor's mounting stud (A). Stud is then tightened to recommended torque w/ hex Allen key. Sensor (B) floating hex nut (C) is threaded onto mounting stud.

Using the 360° capabilities, the cable is positioned into desired orientation & temporarily hand tightened. Using a wrench, the hex nut is tightened to the recommended torque while holding the cable or connector in the desired location.



3425 Walden Avenue, Depew, NY 14043-2495 USA

Toll-Free in the USA: 1 800 959 4464

Phone: 1 716 684 0003 | Email: imi@pcb.com

IMI Sensors, a division of PCB Piezotronics, Inc. manufactures industrial vibration monitoring instrumentation, such as accelerometers, vibration transmitters and switches that feature rugged stainless steel housings and survive in harsh environments like paper and steel mills, mines, gas turbines, water treatment facilities and power plants. Integrating with portable analyzers and PLC's, IMI instrumentation helps maintenance departments reduce downtime and protect critical machinery. Visit IMI Sensors at www.pcb.com. PCB Piezotronics, Inc. is a wholly owned subsidiary of MTS Systems Corporation. Additional information on MTS can be found at www.mts.com.

© 2019 PCB Piezotronics, Inc. In the interest of constant product improvement, specifications are subject to change without notice. PCB®, ICP®, Swiveler®, Modally Tuned®, and IMI® with associated logo are registered trademarks of PCB Piezotronics, Inc. in the United States. ICP® is a registered trademark of PCB Piezotronics Europe GmbH in Germany and other countries. UHT-12™ is a trademark of PCB Piezotronics, Inc. SensorLine™ is a service mark of PCB Piezotronics, Inc. SWIFT® is a registered trademark of MTS Systems Corporation in the United States.

IMI-VIB-607A11-607A61-0919



MTS Sensors, a division of MTS Systems Corporation (NASDAQ: MTSC), vastly expanded its range of products and solutions after MTS acquired PCB Piezotronics, Inc. in July, 2016. PCB Piezotronics, Inc. is a wholly owned subsidiary of MTS Systems Corp.; IMI Sensors and Larson Davis are divisions of PCB Piezotronics, Inc.; Accumetrics, Inc. and The Modal Shop, Inc. are subsidiaries of PCB Piezotronics, Inc.