

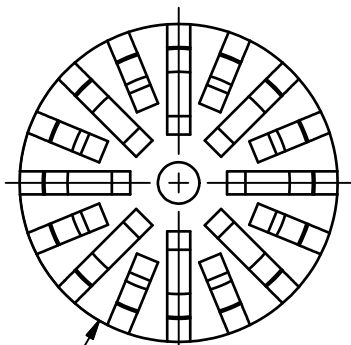
2

1

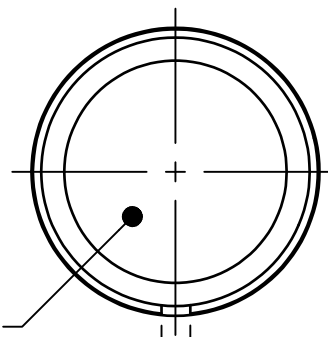
PCB Piezotronics Inc. claims proprietary rights in the information disclosed hereon. Neither it nor any reproduction thereof will be disclosed to others without the written consent of PCB Piezotronics Inc.

REVISIONS		
REV	DESCRIPTION	DIN
NR	RELEASED TO DRAFTING	50697

73440

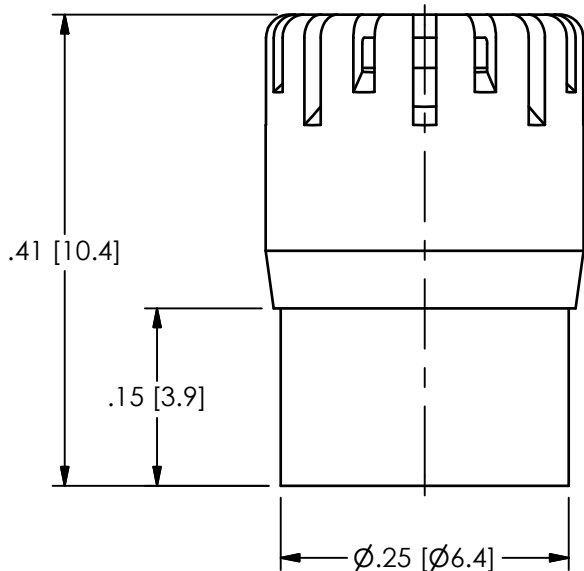


Ø.28 [Ø7.0]



DIAPHRAGM

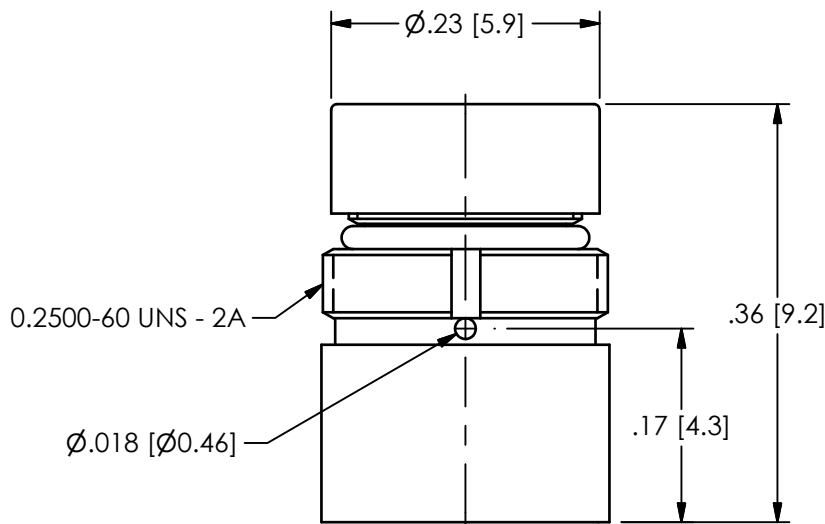
.03 [0.6]



.41 [10.4]

.15 [3.9]

Ø.25 [Ø6.4]



0.2500-60 UNS - 2A

Ø.018 [Ø0.46]

.36 [9.2]

.17 [4.3]

SHOWN WITHOUT GRID CAP

SHOWN WITH GRID CAP

UNLESS OTHERWISE SPECIFIED TOLERANCES ARE:

DRAWN		CHECKED		ENGINEER	
KSR	5/22/20	KSR	5/22/20	SWP	5/22/20

**PCB PIEZOTRONICS™**

3425 WALDEN AVE. DEPEW, NY 14043  
(716) 684-0001 E-MAIL: sales@pcb.com

CODE IDENT. NO. 52681 DWG. NO. 73440

SCALE: 6X SHEET 1 OF 1

TITLE  
OUTLINE DRAWING  
1/4" PRE-POLARIZED  
SIDE VENT MICROPHONES

2

1