

2

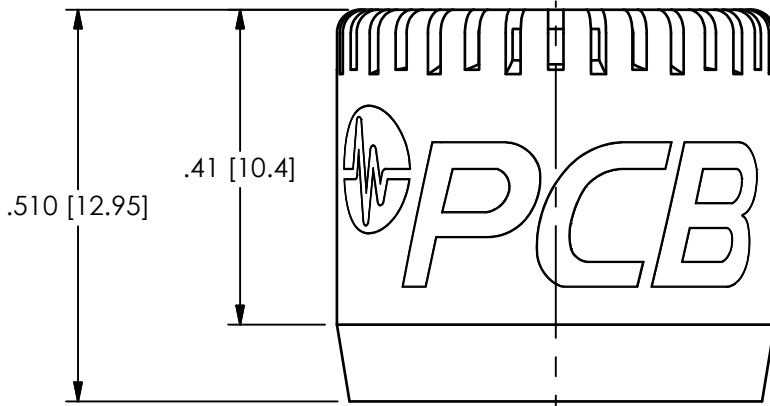
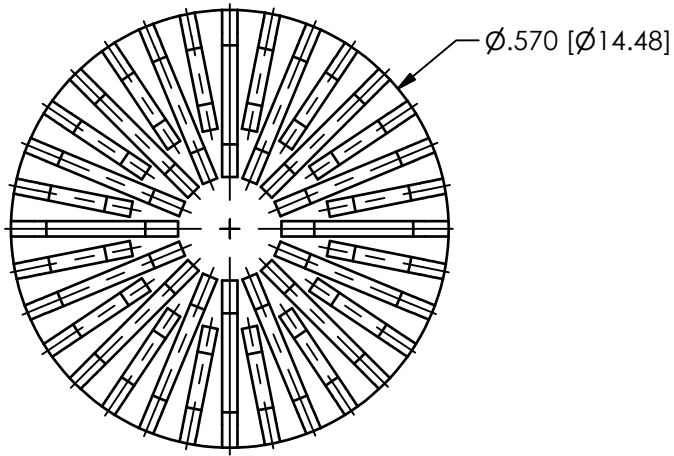
1

PCB Piezotronics Inc. claims proprietary rights in the information disclosed hereon. Neither it nor any reproduction thereof will be disclosed to others without the written consent of PCB Piezotronics Inc.

REVISIONS


REV	DESCRIPTION	DIN
NR	RELEASED TO DRAFTING	49905

71153



2.) 079A59 CALIBRATION ADAPTOR REQUIRED FOR SENSITIVITY CALIBRATION

1.) FOR USE WITH 377B02 AND 377C20 MICROPHONES

UNLESS OTHERWISE SPECIFIED TOLERANCES ARE:		DRAWN		CHECKED		ENGINEER		 3425 WALDEN AVE. DEPEW, NY 14043 (716) 684-0001 E-MAIL: sales@pcb.com		
DIMENSIONS IN INCHES	DIMENSIONS IN MILLIMETERS [IN BRACKETS]	JES	9/5/19	JDM	9/5/19	MJN	9/5/19			
DECIMALS XX ±.03 XXX ±.010	DECIMALS X ± 0.8 XX ± 0.25	TITLE OUTLINE DRAWING MODEL 079A52 1/2" RUGGEDIZED GRID CAP							CODE IDENT. NO. 52681	DWG. NO. 71153
ANGLES ± 2 DEGREES	ANGLES ± 2 DEGREES								SCALE: 4X	SHEET 1 OF 1
FILLETS AND RADII .003 - .005	FILLETS AND RADII 0.07 - 0.13									

2

1