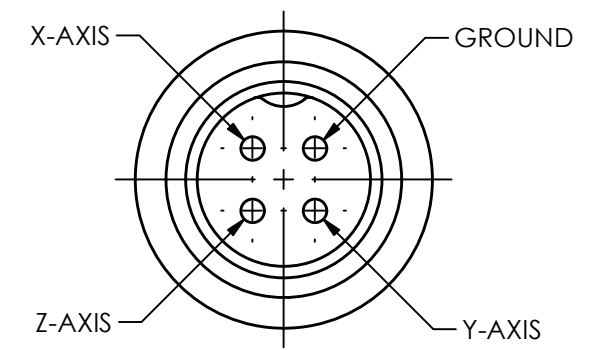
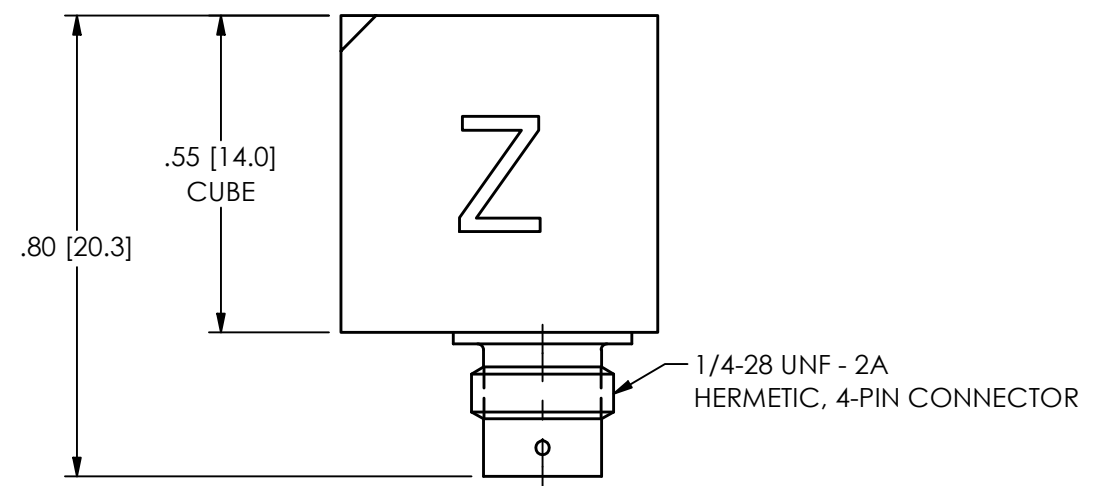


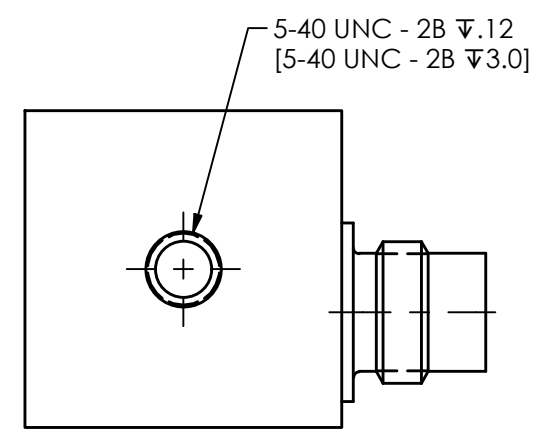
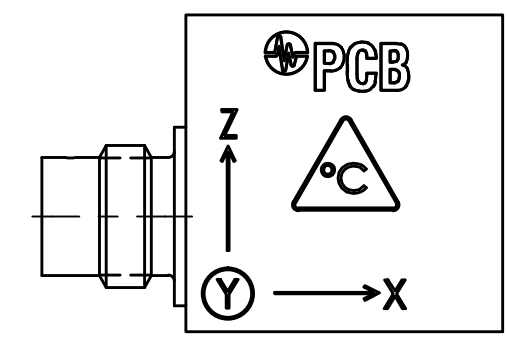
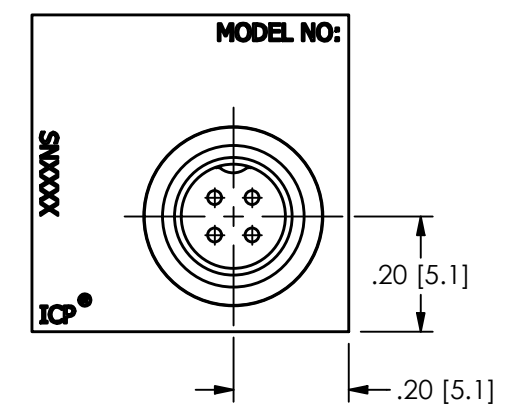
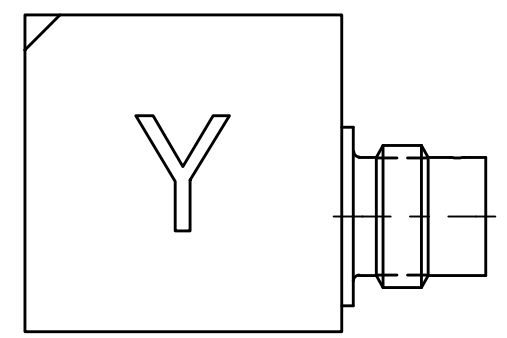
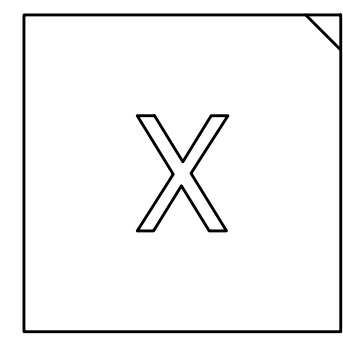
PCB Piezotronics Inc. claims proprietary rights in the information disclosed hereon. Neither it nor any reproduction thereof will be disclosed to others without the written consent of PCB Piezotronics Inc.

70194

REVISIONS		
REV	DESCRIPTION	DIN
A	REMOVED DRILL POINTS	55195



CONNECTOR PIN DESIGNATION
SCALE 5X



UNLESS OTHERWISE SPECIFIED TOLERANCES ARE:		DRAWN		CHECKED		ENGINEER		PCB PIEZOTRONICS					
DIMENSIONS IN INCHES		AME	11/7/24	JDM	11/7/24	SDS	11/7/24	AN AMPHENOL COMPANY					
DECIMALS XX ±.03	DIMENSIONS IN MILLIMETERS [IN BRACKETS]	TITLE						3425 WALDEN AVE. DEPEW, NY 14043					
XXX ±.010	DECIMALS X ± 0.8							70194			(716) 684-0001 E-MAIL: sales@pcb.com		
ANGLES ± 2 DEGREES	DECIMALS XX ± 0.25							CODE IDENT. NO.	SIZE	DWG. NO.			
CABLE TOLERANCES IN ENGLISH		OUTLINE DRAWING						52681	B	70194			
1" ≤ LENGTH < 1' = +1' / - 0	CABLE TOLERANCES IN METRIC	339A3X & 339B3X SERIES						SCALE:	3X	SHEET 1 OF 1			
1' ≤ LENGTH < 5' = +2' / - 0	2.54cm ≤ LENGTH < 30.5cm = +2.54cm / - 0	TRIAxIAL ACCELEROMETER											
5' ≤ LENGTH < 100' = +6' / - 0	30.5cm ≤ LENGTH < 1.5m = +5.1cm / - 0												
100' ≤ LENGTH = +1' / - 0	1.5m ≤ LENGTH < 30.5m = +15.2cm / - 0												
	30.5m ≤ LENGTH = +30.5cm / - 0												
FILLETS AND RADII .003 - .005	FILLETS AND RADII 0.07 - 0.13												