

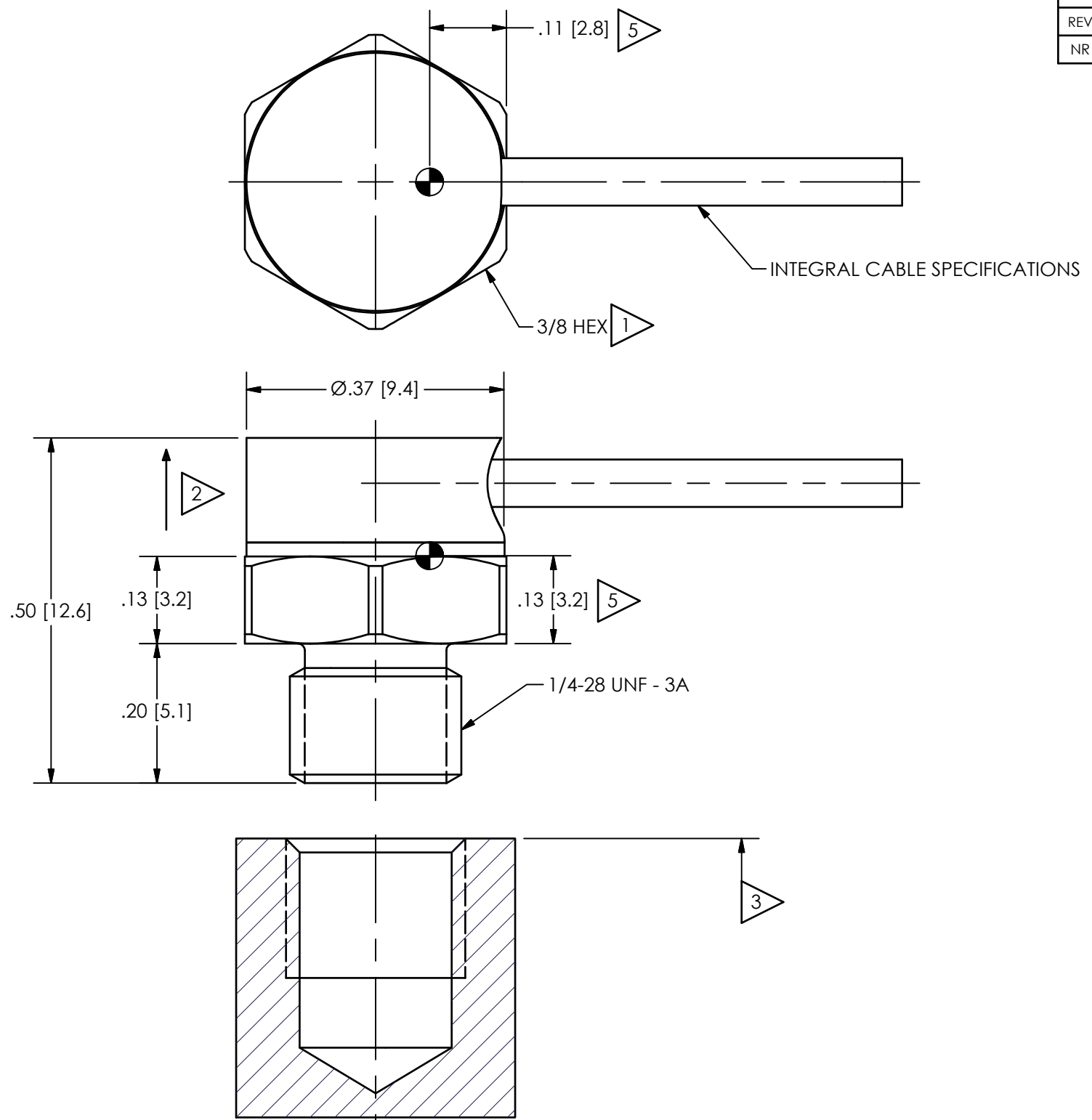
PCB Piezotronics Inc. claims proprietary rights in the information disclosed hereon. Neither it nor any reproduction thereof will be disclosed to others without the written consent of PCB Piezotronics Inc.

65015



**ESD SENSITIVE
CLASS 2 HANDLING REQUIRED**

4 MOUNTING HOLE PREPARATION:
 $\varnothing.218[5.41] \nabla .30 [7.6] \text{ MIN}$
 $1/4-28 \text{ UNF-3B } \nabla .20[5.1] \text{ MIN}$



REVISIONS		
REV	DESCRIPTION	ECO
NR	RELEASED TO DRAFTING	45768

ELECTRICAL CONNECTIONS
 GREEN : + SIGNAL
 WHITE : - SIGNAL
 RED : + EXCITATION
 BLACK : - EXCITATION

- 5 CENTER OF SEISMIC MASS
- 4 DRILL PERPENDICULAR TO MOUNTING SURFACE TO WITHIN $\pm 1^\circ$
- 3 RECOMMENDED MOUNTING SURFACE SHOULD BE FLAT TO WITHIN $.0003(.008)$
TIR OVER $\varnothing.650[16.51]$ WITH A SURFACE FINISH OF 32 $[\text{.08}]$ FINISH FOR BEST RESULTS
- 2 DIRECTION OF POSITIVE OUTPUT
- 1 RECOMMENDED MOUNTING TORQUE ON 3/8 HEX, 1-2 FOOT POUND
[1.4-2.7 NEWTON METERS]

UNLESS OTHERWISE SPECIFIED TOLERANCES ARE:		DRAWN		CHECKED		ENGINEER	
DIMENSIONS IN INCHES	DIMENSIONS IN MILLIMETERS [IN BRACKETS]	KRM	9/20/16	JDG	9/20/16	GCD	9/20/16
DECIMALS XX $\pm .01$ XXX $\pm .005$	DECIMALS X ± 0.3 XX ± 0.13	TITLE INSTALLATION DRAWING MODEL 3501B12XXKG SERIES ACCELEROMETER					
ANGLES ± 2 DEGREES	ANGLES ± 2 DEGREES						
FILLETS AND RADII .003 - .005	FILLETS AND RADII 0.07 - 0.13	CODE IDENT. NO. 52681		DWG. NO. 65015		SCALE: 5X SHEET 1 OF 1	

PCB PIEZOTRONICS
 3425 WALDEN AVE. DEPEW, NY 14043
 (716) 684-0001 E-MAIL: sales@pcb.com