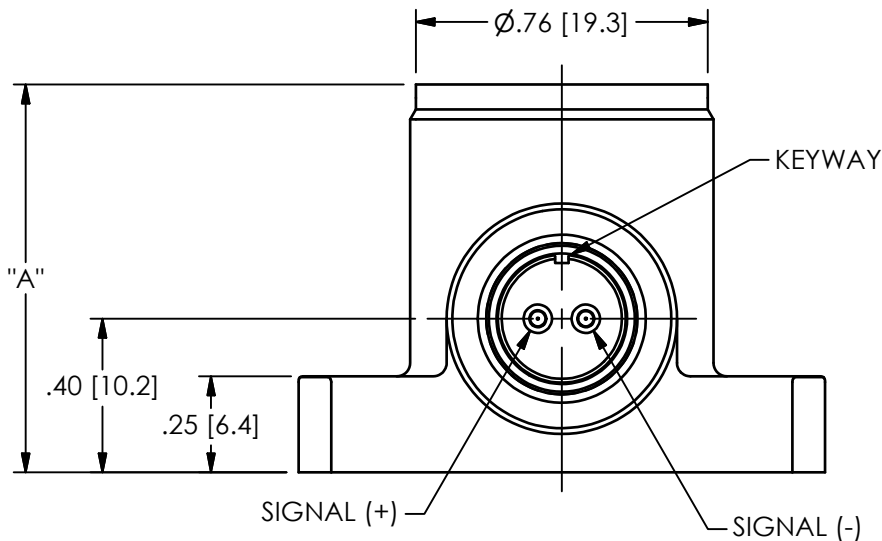
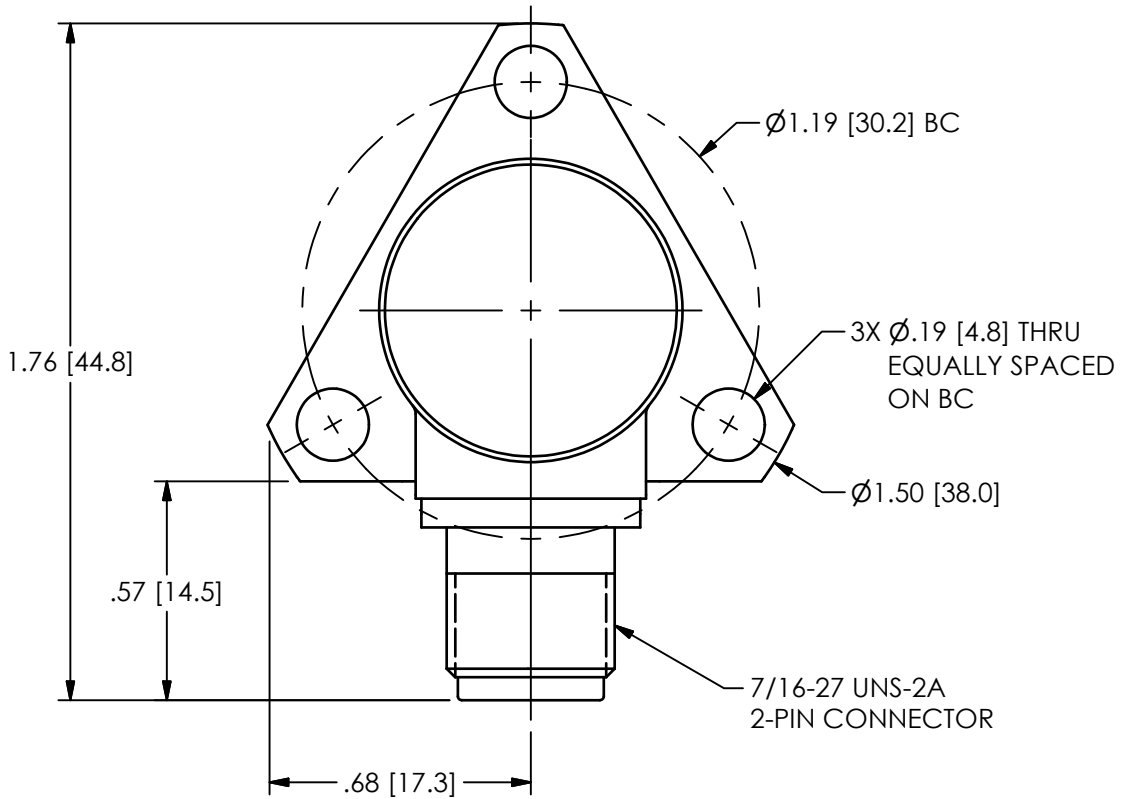


PCB Piezotronics Inc. claims proprietary rights in the information disclosed hereon. Neither it nor any reproduction thereof will be disclosed to others without the written consent of PCB Piezotronics Inc.

REVISIONS

REV	DESCRIPTION	DIN
A	ADDED 357C72 & 73	44200

60700



-03	1.57 [39.9]	357C73
-02	1.40 [35.6]	357C72
-01	1.01 [25.7]	357C71
VAR	"A"	MODEL

UNLESS OTHERWISE SPECIFIED TOLERANCES ARE:

DRAWN		CHECKED		ENGINEER	
JDM	6/12/15	ECB	6/12/15	PML	6/12/12

PCB PIEZOTRONICS
 3425 WALDEN AVE. DEPEW, NY 14043
 (716) 684-0001 E-MAIL: sales@pcb.com

CODE IDENT. NO. 52681
 DWG. NO. 60700

SCALE: 2X	SHEET 1 OF 1
-----------	--------------

DIMENSIONS IN INCHES	DIMENSIONS IN MILLIMETERS [IN BRACKETS]
DECIMALS XX ±.03 XXX ±.010	DECIMALS X ± 0.8 XX ± 0.25
ANGLES ± 2 DEGREES	ANGLES ± 2 DEGREES
FILLETS AND RADII .003 - .005	FILLETS AND RADII 0.07 - 0.13

TITLE
 OUTLINE DRAWING
 MODEL 357C71, C72 & C73
 DIFFERENTIAL CHARGE ACCELEROMETER

jmorawski 16:31 6/12/2015