

351-2320-95

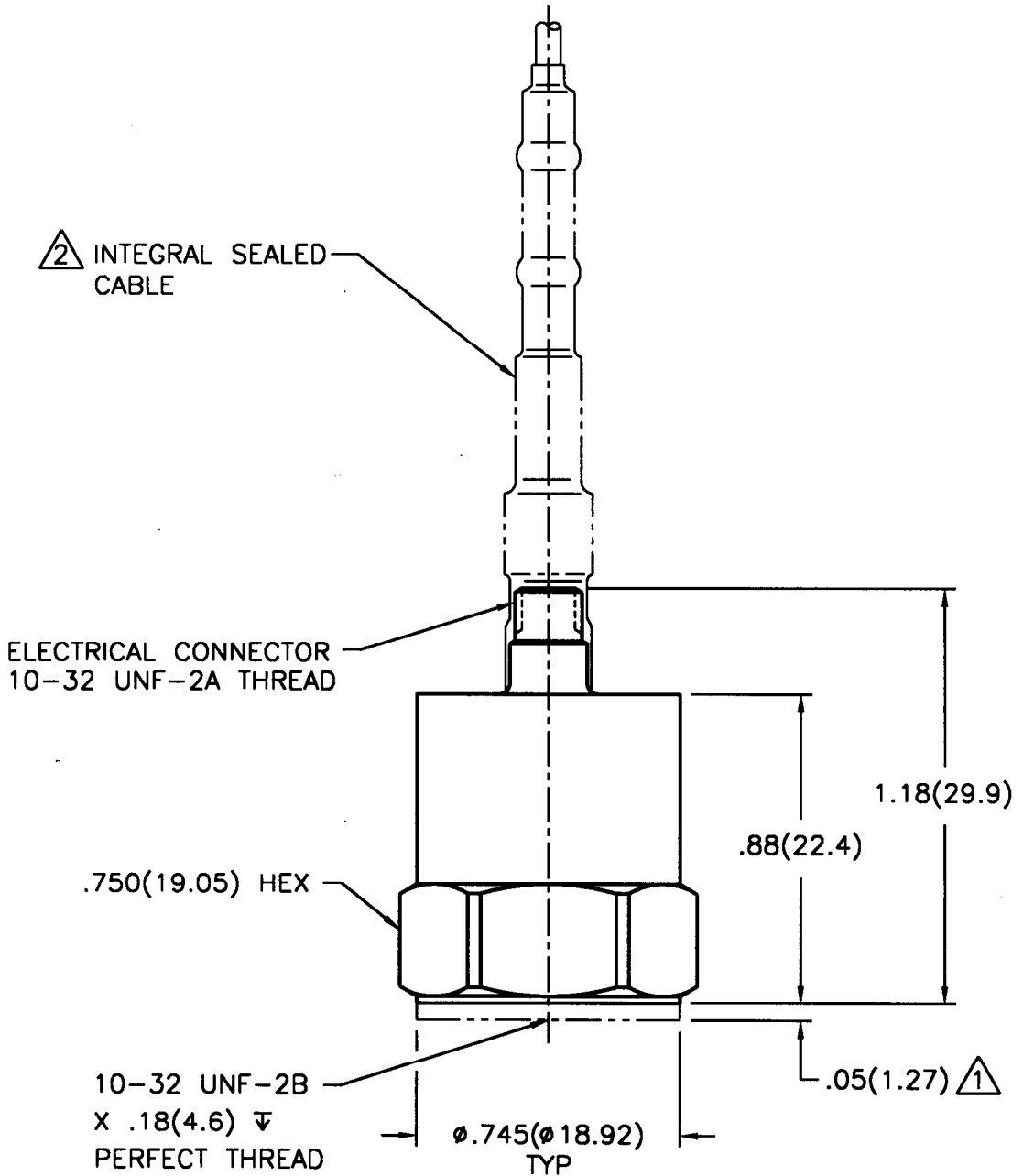
PCB Piezotronics Inc. claims proprietary rights in the information disclosed hereon. Neither it nor any reproduction thereof will be disclosed to others without written consent of PCB Piezotronics Inc.

APPLICATION

NEXT ASS'Y	USED ON	VAR

REVISIONS

REV	DESCRIPTION	ECN	DATE	APP'D
B	REVISED PER ECN	6447	2/8/96	DM 2/96



△2 ADD CABLE FOR TRANSDUCER WITH WATER RESISTANT OPTION.

△1 ADD DIMENSION FOR TRANSDUCER WITH GROUND ISOLATED OPTION.

UNLESS SPECIFIED TOLERANCES

DIMENSIONS IN INCHES	DIMENSIONS IN MILLIMETERS (IN PARENTHESIS)
DECIMALS XX ± .01	DECIMALS XX ± 0.3
XXX ± .005	XXX ± 0.13
ANGLES ± 2 DEGREES	ANGLES ± 2 DEGREES
FILLETS AND RADII .003 - .005	FILLETS AND RADII (0.07 - 0.13)

DRAWN	JL	2/19/96	MFG	RIA	2/14/96
CHK'D	DM	2/13/96	ENGR	CMH	2/13/96
APP'D	EN	2/14/96			

PCB PIEZOTRONICS, INC.
3425 WALDEN AVE. DEPEW, NEW YORK 14043
PHONE: (716) 684-0001

CODE IDENT. NO. 52681
DWG. NO. 351-2320-95

00011 REV. A 05/26/95

OUTLINE DRAWING
351B32 & B42 SERIES
ACCELEROMETER

SCALE: 2X SHEET 1 OF 1