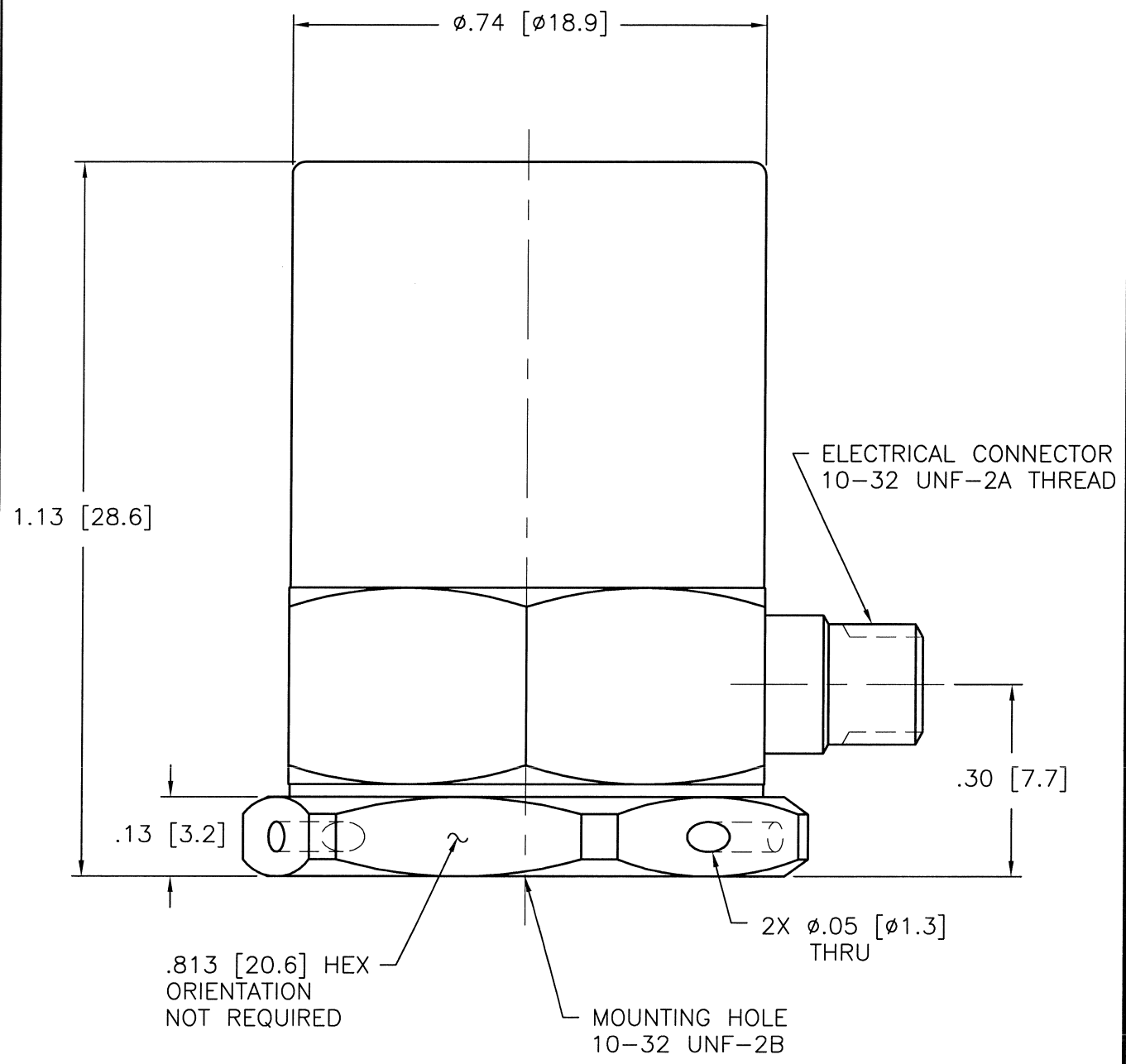


30529

PCB Piezotronics Inc. claims proprietary rights in the information disclosed hereon. Neither it nor any reproduction thereof will be disclosed to others without written consent of PCB Piezotronics Inc.

APPLICATION		
NEXT ASS'Y	USED ON	VAR

REVISIONS				
REV	DESCRIPTION	ECN	DATE	APP'D
NR	RELEASED TO DRAFTING		10/17/05	<i>ECB</i>



UNLESS SPECIFIED TOLERANCES	
DIMENSIONS IN INCHES	DIMENSIONS IN MILLIMETERS [IN BRACKETS]
DECIMALS XX ±.03 XXX ±.010	DECIMALS X ±0.8 XX ±0.25
ANGLES ±2 DEGREES	ANGLES ±2 DEGREES
FILLETS AND RADII .003 - .005	FILLETS AND RADII [0.07 - 0.13]

DRAWN	<i>smg</i>	DATE	<i>10/17/05</i>	MFG	<i>DAM</i>	DATE	<i>10/17/05</i>
CHK'D	<i>ECB</i>	DATE	<i>10/17/05</i>	ENGR	<i>smg</i>	DATE	<i>10/17/05</i>
APP'D	<i>1/15</i>	DATE	<i>10/17/05</i>	SALES	<i>MDA</i>	DATE	<i>10/17/05</i>

PCB PIEZOTRONICS INC.
 3425 WALDEN AVE. DEPEW, NY 14043
 (716) 684-0001 EMAIL: SALES@PCB.COM

CODE IDENT. NO. 52681

DWG. NO. 30529

SCALE: 4X SHEET 1 OF 1

TITLE
 OUTLINE DRAWING
 MODEL 357B53 SERIES
 ACCELEROMETER