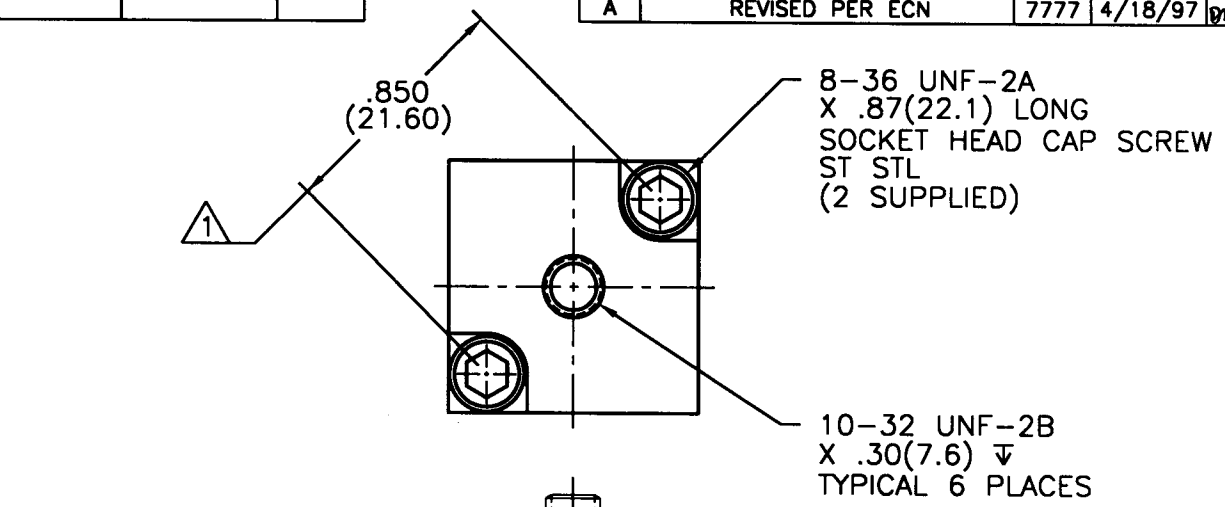


2277

PCB Piezotronics Inc. claims proprietary rights in the information disclosed hereon. Neither it nor any reproduction thereof will be disclosed to others without written consent of PCB Piezotronics Inc.

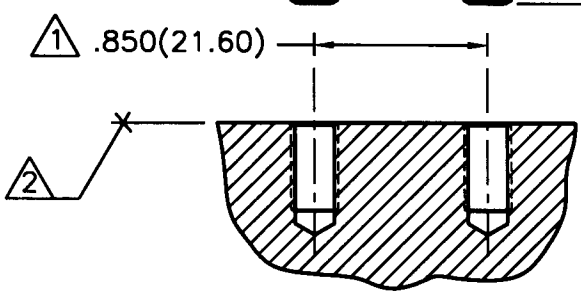
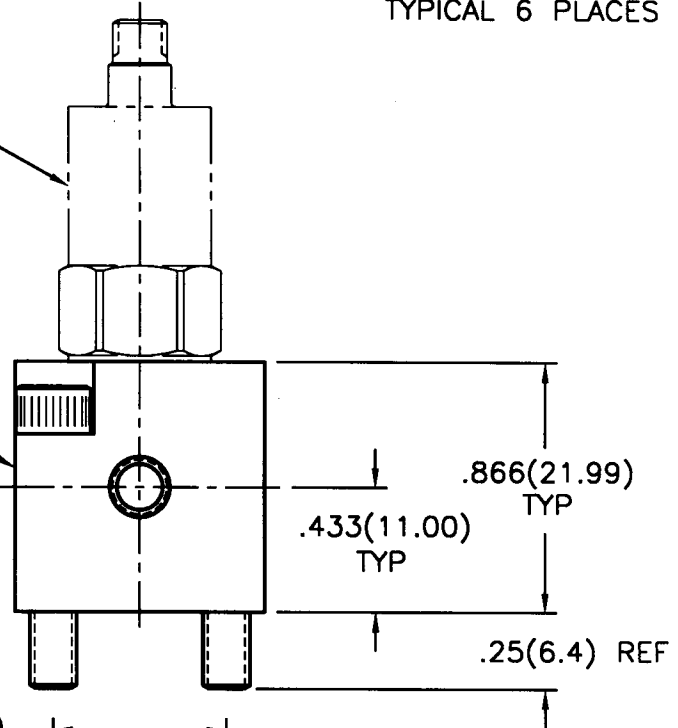
| APPLICATION |         |     |
|-------------|---------|-----|
| NEXT ASS'Y  | USED ON | VAR |
|             |         |     |

| REVISIONS |                 |      |         |               |
|-----------|-----------------|------|---------|---------------|
| REV       | DESCRIPTION     | ECN  | DATE    | APP'D         |
| A         | REVISED PER ECN | 7777 | 4/18/97 | <i>DM4/97</i> |



ACCELEROMETER (NOT SUPPLIED)

MODEL 080C10 TRI-AXIAL CUBE  
MAT'L: HARD ANODIZED ALUMINUM (SUPPLIED)



**MOUNTING HOLE PREPARATION:**  
 DRILL  $\phi$ .136( $\phi$ 3.45)  
 X .350(8.89)  $\nabla$   
 TAP 8-36 UNF-2B  
 X .300(7.62)  $\nabla$   
 TYP 2 PLACES AS SHOWN

- 2** MOUNTING SURFACE MUST BE FLAT WITHIN .001(0.03) TIR OVER  $\phi$ 1.25( $\phi$ 31.7) WITH A MIN  $63\sqrt{(1.6)}$ .
- 1** DIAGONAL MOUNTING DIMENSION BETWEEN MOUNTING HOLES.

|                               |  |       |  |                |      |            |                |  |
|-------------------------------|--|-------|--|----------------|------|------------|----------------|--|
| UNLESS SPECIFIED TOLERANCES   |  | DRAWN | <i>DS</i>  | <i>4/18/97</i> | MFG  | <i>JBS</i> | <i>4/24/97</i> | <b>PCB</b> PIEZOTRONICS, INC.<br>3425 WALDEN AVE. DEPEW, NEW YORK 14043<br>PHONE: (716) 684-0001 |
| DIMENSIONS IN INCHES          | DIMENSIONS IN MILLIMETERS (IN PARENTHESIS) | CHK'D | <i>DM</i>  | <i>4/18/97</i> | ENGR | <i>CSA</i> | <i>3/25/97</i> |  |
| DECIMALS XX $\pm$ .01         | DECIMALS XX $\pm$ 0.3                      | APP'D | <i>DM</i>  | <i>4/24/97</i> |      |            |                | CODE IDENT. NO. 52681  |
| XXX $\pm$ .005                | XXX $\pm$ 0.13                             | TITLE | INSTALLATION DRAWING<br>MODEL 080C10<br>TRI-AXIAL CUBE |                |      |            |                | DWG. NO. 2277  |
| ANGLES $\pm$ 2 DEGREES        | ANGLES $\pm$ 2 DEGREES                     |       |  |                |      |            |                | SCALE: 1.5X  |
| FILLETS AND RADII .003 - .005 | FILLETS AND RADII (0.07 - 0.13)            |       |  |                |      |            |                | SHEET 1 OF 1   |
| DDO11 REV. A 05/26/95         |  |       |  |                |      |            |                |  |