

APPLICATION

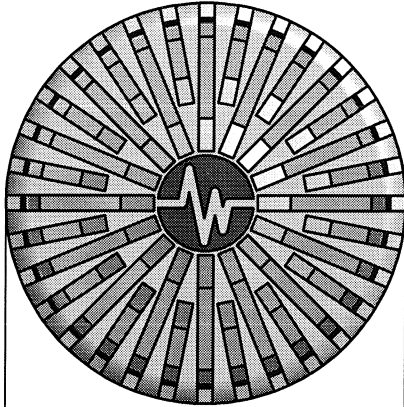
REVISIONS

NEXT ASS'Y	USED ON	VAR

REV	DESCRIPTION	ECN	APP'D
A	REMOVED MODEL 377A40	16242	
B	UPDATED DRAWING	21220	Kpwl 12/04

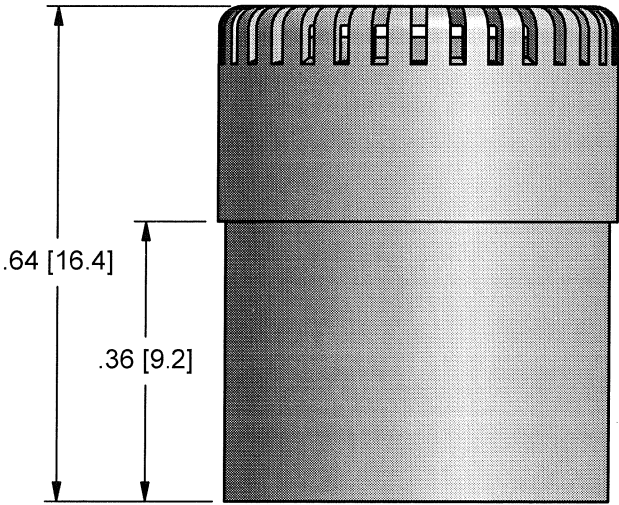
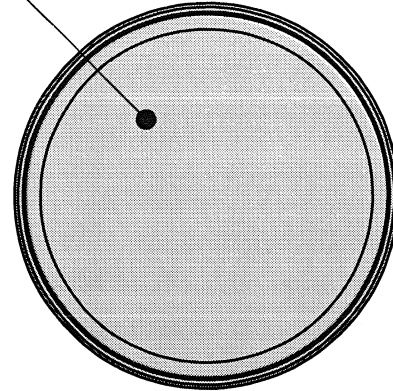
19961

PCB Piezotronics Inc. claims proprietary rights in the information disclosed hereon. Neither, it nor any reproduction thereof will be disclosed to others without the written consent of PCB Piezotronics Inc.



Ø.52 [13.2]

DIAPHRAGM

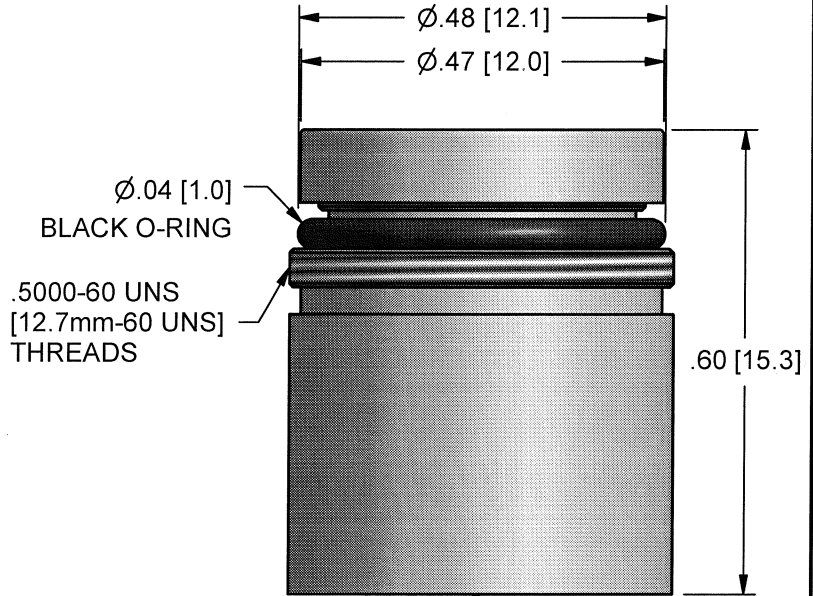


.64 [16.4]

.36 [9.2]

Ø.50 [12.7]

SHOWN WITH GRID CAP



Ø.48 [12.1]

Ø.47 [12.0]

Ø.04 [1.0]

BLACK O-RING

.5000-60 UNS [12.7mm-60 UNS] THREADS

.60 [15.3]

.4606-60 UNS [11.7 mm-60 UNS] THREADS

SHOWN WITHOUT GRID CAP

UNLESS OTHERWISE SPECIFIED TOLERANCES ARE:

DIMENSIONS IN INCHES

DIMENSIONS IN MILLIMETERS [IN BRACKETS]

DECIMALS XX ± .03  
XXX ± .010  
ANGLES ± 2 DEGREES

DECIMALS X ± 0.8  
XX ± 0.25  
ANGLES ± 2 DEGREES

FILLETS AND RADII .003 - .005

FILLETS AND RADII [0.07 - 0.13]

DRAWN	8/22/03	12/15/04	MFG	OK	12/15/04
CHK'D	Kpwl	12/15/04	ENGR	JGH	12-15-04
APP'D	JPS	12/15/04	SALES	WJA	12/15/04

TITLE  
OUTLINE DRAWING  
1/2" EXTERNALLY POLARIZED MICROPHONES

**PCB PIEZOTRONICS** INC.  
3425 WALDEN AVE. DEPEW, NY 14043  
(716) 684-0001 E-MAIL: sales@pcb.com

CODE IDENT. NO. 52681	DWG. NO. 19961
--------------------------	-------------------

SCALE: 4x	SHEET 1 OF 1
-----------	--------------