

2

1

APPLICATION

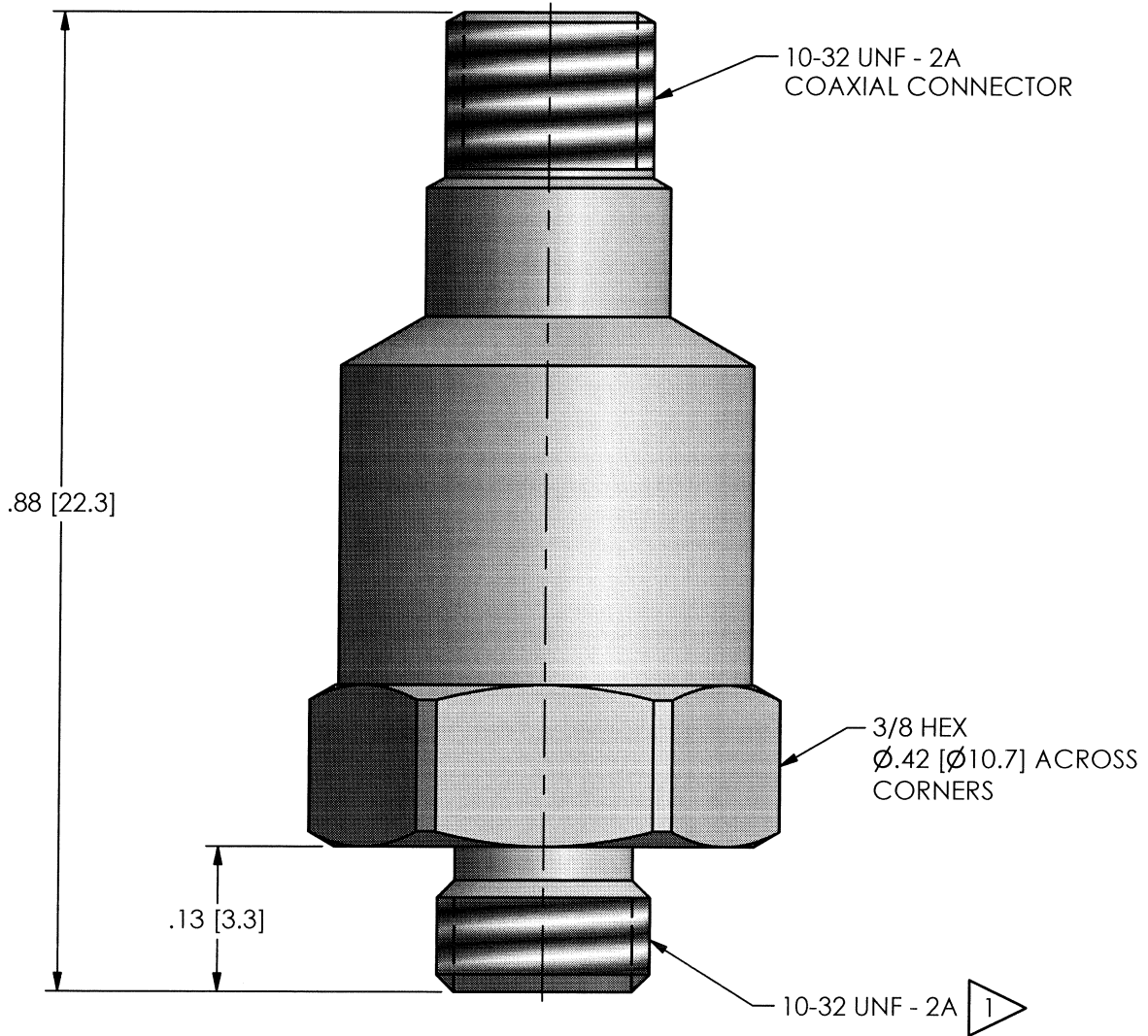
REVISIONS

NEXT ASSY	USED ON	VAR

REV	DESCRIPTION	ECN	APP'D
A	UPDATED TO STANDARD	16595	DM 12/02
B	ADDED (M) OPTION	24108	ECB 4/26/06

17960

PCB Piezotronics Inc. claims proprietary rights in the information disclosed hereon. Neither it nor any reproduction thereof will be disclosed to others without the written consent of PCB Piezotronics Inc.



1 M6 X 0.75-6g FOR SENSOR WITH METRIC OPTION.

UNLESS OTHERWISE SPECIFIED TOLERANCES ARE:

DIMENSIONS IN INCHES	DIMENSIONS IN MILLIMETERS [ IN BRACKETS ]
DECIMALS XX ± .03	DECIMALS X ± 0.8
XXX ± .010	XX ± 0.25
ANGLES ± 2 DEGREES	ANGLES ± 2 DEGREES
FILLETS AND RADII .003 - .005	FILLETS AND RADII [ 0.07 - 0.13 ]

DRAWN	<i>SM/S</i> 4/24/06	MFG	<i>DAM</i> 4/25/06
CHK'D	<i>ECB</i> 4/26/06	ENGR	<i>Photo</i> 4/24/06
APP'D	<i>JJS</i> 4/25/06	SALES	<i>MCA</i> 4/25/06
TITLE			

OUTLINE DRAWING  
MODEL 320C20 (M)  
ACCELEROMETER

**PCB PIEZOTRONICS**<sup>INC</sup>  
3425 WALDEN AVE. DEPEW, NY 14043  
(716) 684-0001 E-MAIL: sales@pcb.com

CODE IDENT. NO. 52681	DWG. NO. 17960
SCALE: 6X	SHEET 1 OF 1

2

1