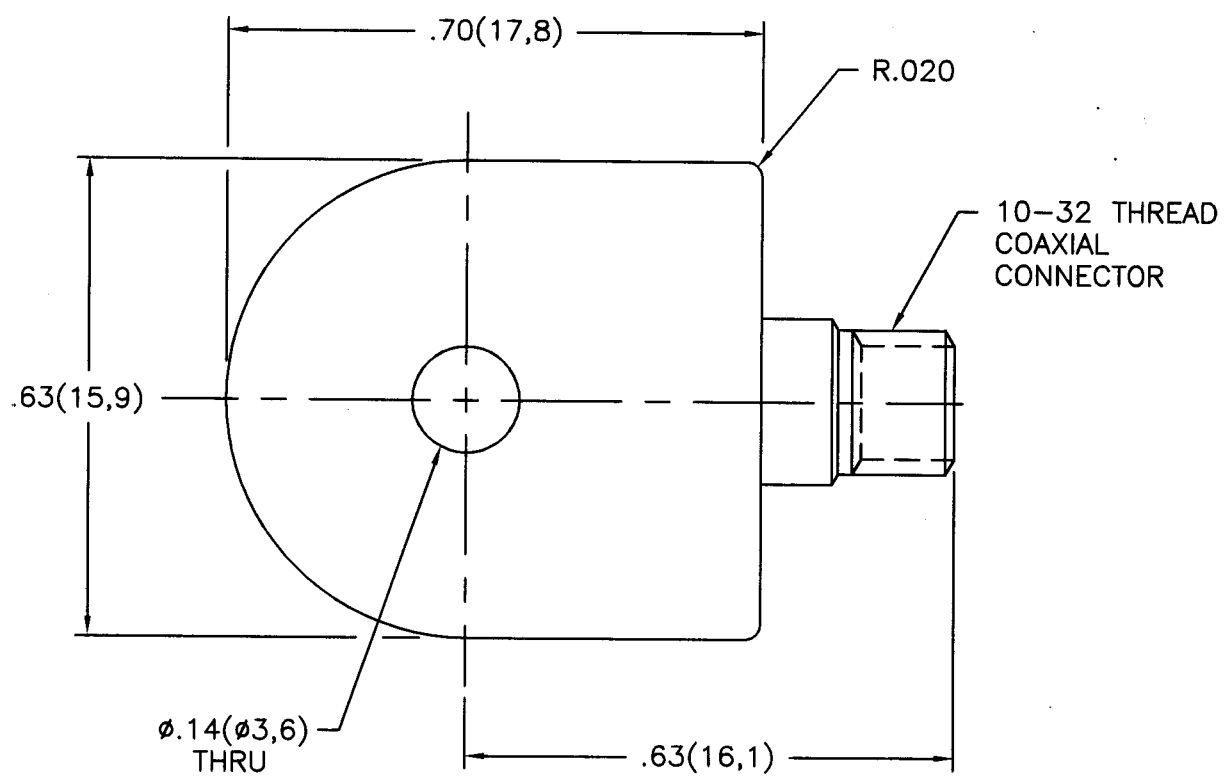
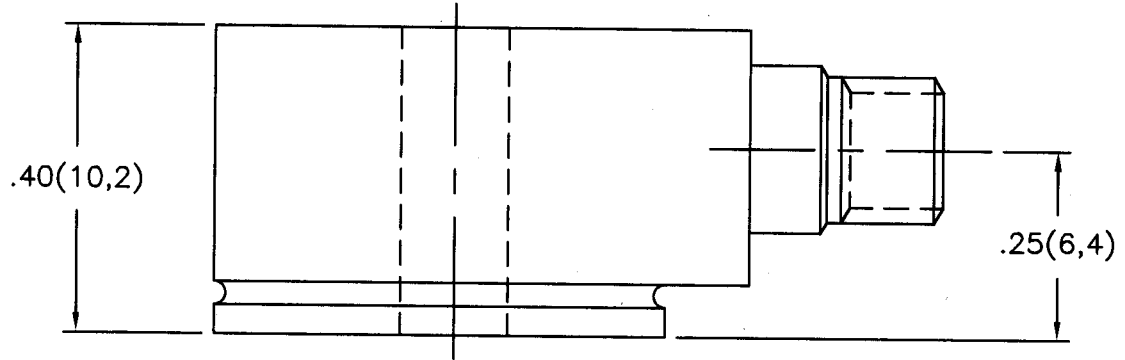


17437

PCB Piezotronics Inc. claims proprietary rights in the information disclosed hereon. Neither it nor any reproduction thereof will be disclosed to others without written consent of PCB Piezotronics Inc.

APPLICATION		
NEXT ASS'Y	USED ON	VAR

REVISIONS				
REV	DESCRIPTION	ECN	DATE	APP'D
A	MADE STANDARD MODELS	16340	12/3/02	<i>Om</i> 12/3/02



UNLESS SPECIFIED TOLERANCES	
DIMENSIONS IN INCHES	DIMENSIONS IN MILLIMETERS (IN PARENTHESIS)
DECIMALS XX ±.01	DECIMALS XX ±0.3
XXX ±.005	XXX ±0.13
ANGLES ±2 DEGREES	ANGLES ±2 DEGREES
FILLETS AND RADII .003 - .005	FILLETS AND RADII (0.07 - 0.13)

DRAWN	<i>SM</i>	DATE	12/3/02	MFG	<i>W</i>	DATE	12/3/02
CHK'D	<i>Om</i>	DATE	12/3/02	ENGR	<i>W</i>	DATE	12/3/02
APP'D	<i>W</i>	DATE	12/3/02	SALES	<i>W</i>	DATE	12/3/02
TITLE	OUTLINE DRAWING MODEL 355B33, 355B34 RING ACCELEROMETER						

PCB PIEZOTRONICS™
 3425 WALDEN AVE. DEPEW, NY 14043
 (716) 684-0001 EMAIL: SALES@PCB.COM

CODE IDENT. NO. 52681 DWG. NO. 17437

SCALE: 4X SHEET 1 OF 1