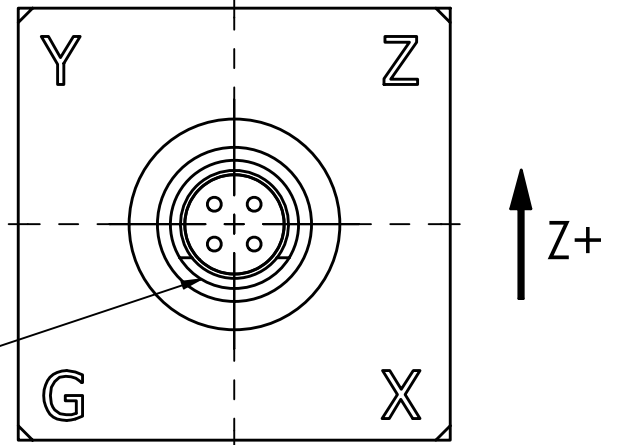
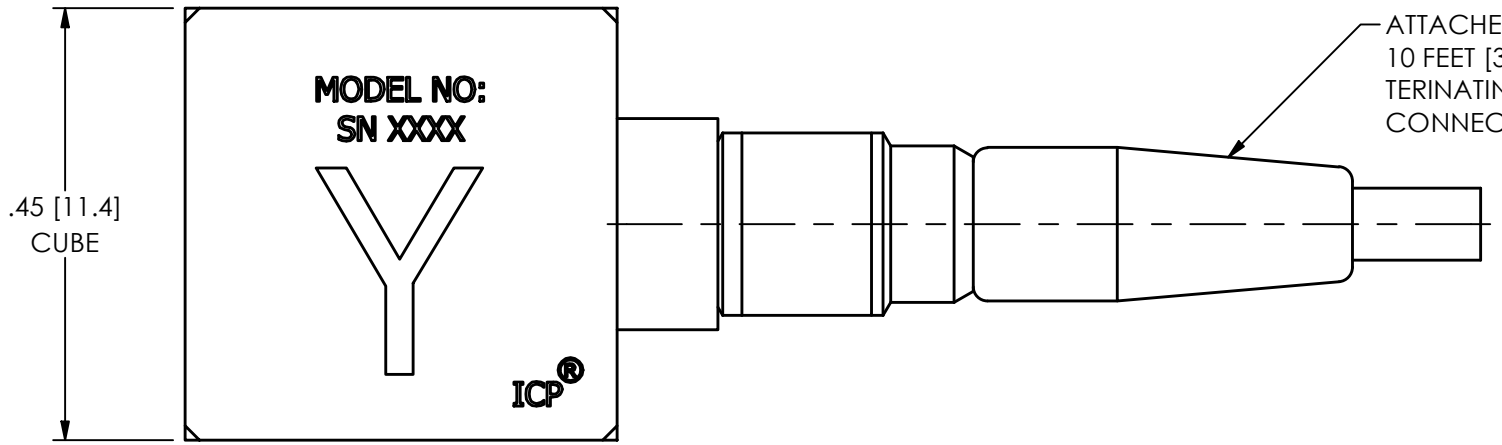
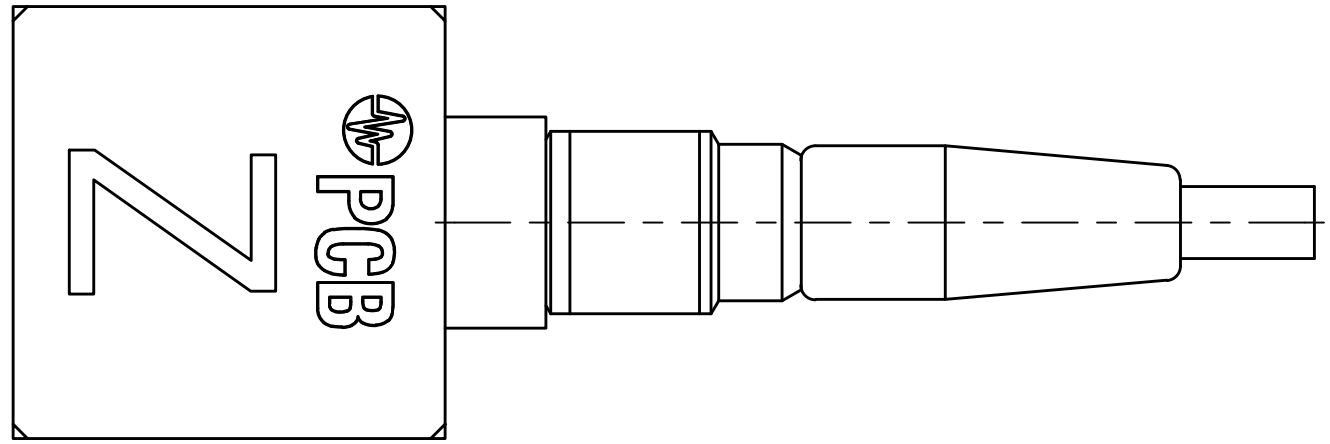


PCB Piezotronics Inc. claims proprietary rights in the information disclosed hereon. Neither it nor any reproduction thereof will be disclosed to others without the written consent of PCB Piezotronics Inc.

16640

| REVISIONS | | |
|-----------|---------------------|-------|
| REV | DESCRIPTION | DIN |
| C | REMOVED TEDS OPTION | 55194 |



CONNECTOR PIN DESIGNATION

1 THIS VIEW SHOWN WITHOUT CABLE FOR PIN OUTPUT

| UNLESS OTHERWISE SPECIFIED TOLERANCES ARE: | | DRAWN | | CHECKED | | ENGINEER | | PCB PIEZOTRONICS AN AMPHENOL COMPANY | | | | |
|---|--|---|--|---------|--------|----------|--------|---|-----------|--|--|--|
| DIMENSIONS IN INCHES DECIMALS XX ±.03 XXX ±.010 ANGLES ± 2 DEGREES CABLE TOLERANCES IN ENGLISH 1" ≤ LENGTH < 1' = +1"/-0 1' ≤ LENGTH < 5' = +2"/-0 5' ≤ LENGTH < 100' = +6"/-0 100' ≤ LENGTH = +1'/-0 FILLETS AND RADII .003 - .005 | | DIMENSIONS IN MILLIMETERS [IN BRACKETS] DECIMALS X ± 0.8 XX ± 0.25 ANGLES ± 2 DEGREES CABLE TOLERANCES IN METRIC 2.54cm ≤ LENGTH < 30.5cm = +2.54cm/-0 30.5cm ≤ LENGTH < 1.5m = +5.1cm/-0 1.5m ≤ LENGTH < 30.5m = +15.2cm/-0 30.5m ≤ LENGTH = +30.5cm/-0 FILLETS AND RADII 0.07 - 0.13 | | AME | 1/6/25 | JDM | 1/6/25 | SDS | 1/6/25 | 3425 WALDEN AVE. DEPEW, NY 14043 (716) 684-0001 E-MAIL: sales@pcb.com | | |
| TITLE .45" CUBE W/ 8/36 4-PIN CONNECTOR ADHESIVE MOUNT TRIAXIAL ACCELEROMETER | | | | | | | | CODE IDENT. NO. 52681 | SIZE B | DWG. NO. 16640 | | |
| SCALE: 5X | | | | | | | | SHEET 1 OF 1 | | | | |