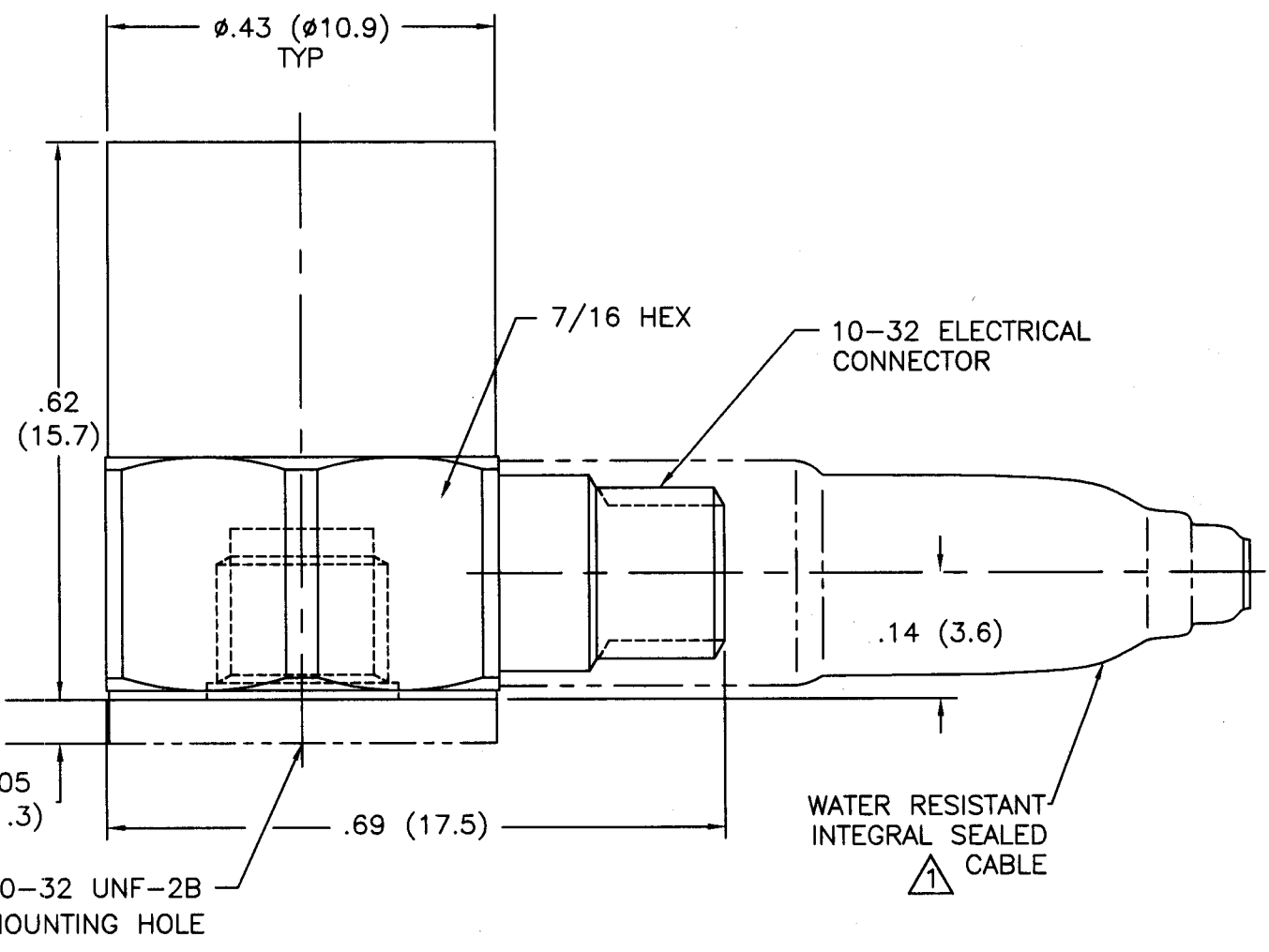


16573

PCB Piezotronics inc. claims proprietary rights in the information disclosed hereon. Neither it nor any reproduction thereof will be disclosed to others without written consent of PCB Piezotronics Inc.

APPLICATION		
NEXT ASS'Y	USED ON	VAR

REVISIONS				
REV	DESCRIPTION	ECN	DATE	APP'D
A	UPDATED DRAWING	16892	2/5/03	JDM 2/03



- ② ADD TO HEIGHT WITH OFF GROUND OPTION.
- ① ADD CABLE FOR SENSOR WITH WATER RESISTANT OPTION.

UNLESS SPECIFIED: TOLERANCES		DRAWN				MFG		PCB PIEZOTRONICS™	
DIMENSIONS IN INCHES	DIMENSIONS IN MILLIMETERS [IN BRACKETS]	JDM	2-5-03	AL	2-5-03	3425 WALDEN AVE. DEPEW, NY 14043 (716) 684-0001 EMAIL: SALES@PCB.COM			
DECIMALS XX ±.01	DECIMALS X ±0.3	CHK'D	CSM	ENGR	APC	2-5-3	CODE	DWG. NO.	16573
XXX ±.005	XX ±0.13	APP'D	BAS	SALES	WX	2/5/3	IDENT. NO.	52681	
ANGLES ±2 DEGREES	ANGLES ±2 DEGREES	TITLE				SCALE: 5X			
FILLETS AND RADII .003 - .005	FILLETS AND RADII [0.07 - 0.13]	OUTLINE DRAWING MODEL 352C03 ACCELEROMETER				SHEET 1 OF 1			
DD011 REV. C 01/21/03									