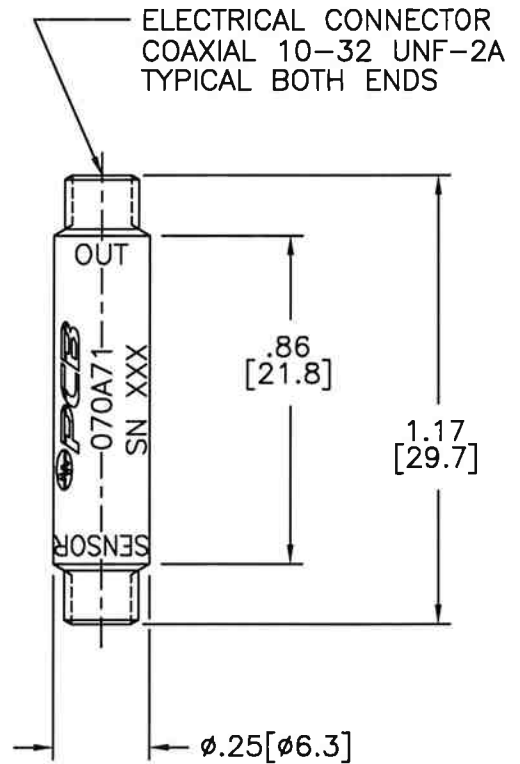
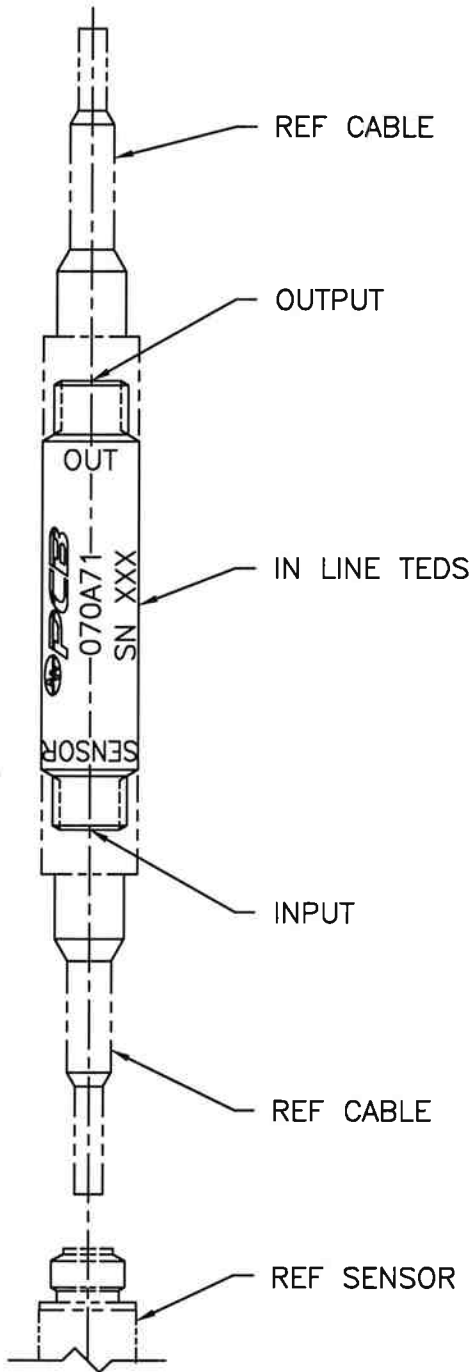


PCB Piezotronics Inc. claims proprietary rights in the information disclosed hereon. Neither it nor any reproduction thereof will be disclosed to others without written consent of PCB Piezotronics Inc.

REVISIONS

REV	DESCRIPTION	ECN	DATE	APP'D
NR	RELEASED TO DRAFTING		1/29/07	DM
A	CHANGED ETCHING	27787	12/6/07	EB (12/07)

15347



UNLESS SPECIFIED TOLERANCES

DIMENSIONS IN INCHES	DIMENSIONS IN MILLIMETERS [IN BRACKETS]
DECIMALS XX ±.03 XXX ±.010	DECIMALS X ±0.8 XX ±0.25
ANGLES ±2 DEGREES	ANGLES ±2 DEGREES
FILLETS AND RADII .003 - .005	FILLETS AND RADII [0.07 - 0.13]

DRAWN	SMB	12/6/07	MFG	MY	11/26/07
CHK'D	EB	12/6/07	ENGR	CPH	11/15/07
APP'D	EB	11/26/07	SALES	WDC	11/15/07

TITLE
INSTALLATION DRAWING
MODEL 070A71
IN LINE TEDS

PCB PIEZOTRONICS™
3425 WALDEN AVE. DEPEW, NY 14043
(716) 684-0001 EMAIL: SALES@PCB.COM

CODE IDENT. NO. 52681
DWG. NO. 15347

SCALE: 2X SHEET 1 OF 1