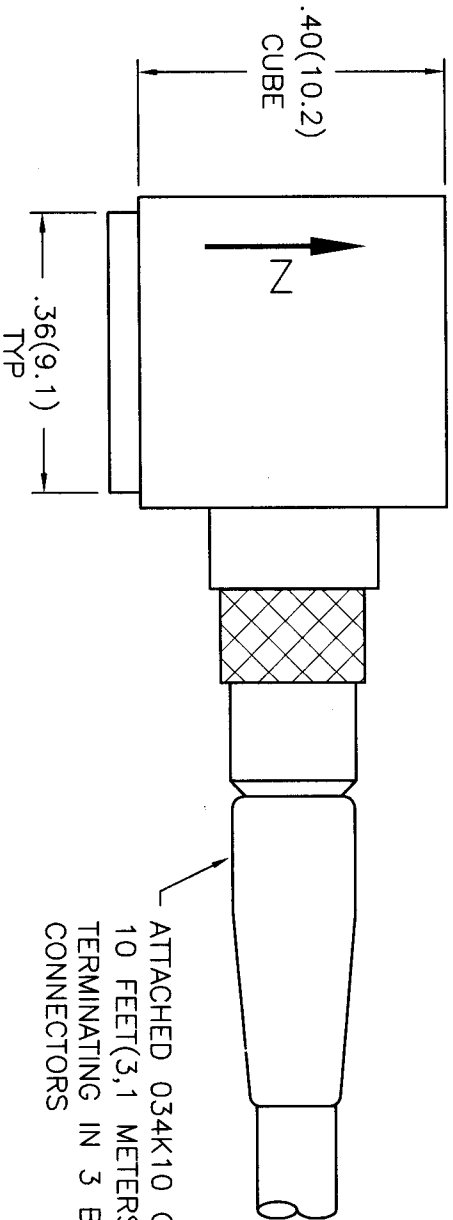
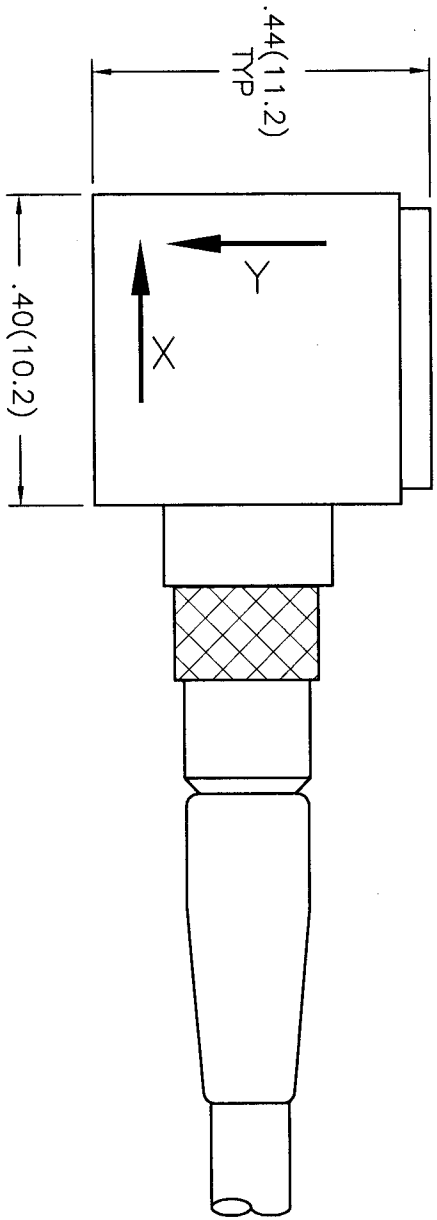


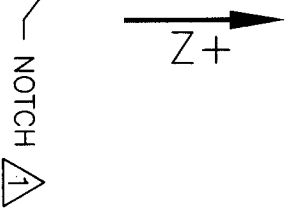
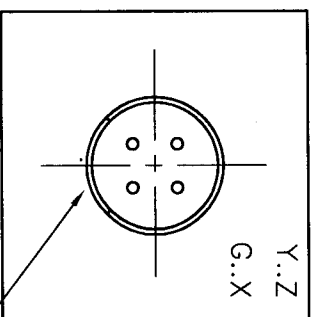
APPLICATION		
NEXT ASSY	USED ON	VAR
PCB Piezotronics Inc. claims proprietary rights in the information disclosed herein. Neither it, nor any reproduction thereof will be disclosed to others without written consent of PCB Piezotronics Inc.		

REVISIONS			
ZONE	REV	DESCRIPTION	APP'D

15245



ATTACHED 034K10 CABLE
10 FEET (3.1 METERS) LONG
TERMINATING IN 3 BNC
CONNECTORS



THIS VIEW SHOWN WITHOUT CABLE FOR PIN OUTPUT.

UNLESS SPECIFIED TOLERANCES	
DIMENSIONS IN INCHES	DIMENSIONS IN MILLIMETERS
DECIMALS XX ± 0.1	DECIMALS XX ± 0.3
XXX ± .005	XXX ± 0.13
ANGLES ± 2 DEGREES	ANGLES ± 2 DEGREES
FILETS AND RADI	FILETS AND RADI
.003 - .005	(0.07 - 0.13)

DRAWN	5/2/98	MFG	AL	12/1/00	 3425 WALDEN AVE. DEPEN, NY 14043 (716) 684-0001 EMAIL: SALES@PCB.COM
CHK'D	RVA	ENGR	MS	12/2/00	
APP'D	<i>[Signature]</i>		SL	12/2/00	
TITLE					
OUTLINE DRAWING					
MODEL J356B21					
ACCELEROMETER					
SCALE: 4X		SHEET 1 OF 1			

DD012 REV. B 03/13/98