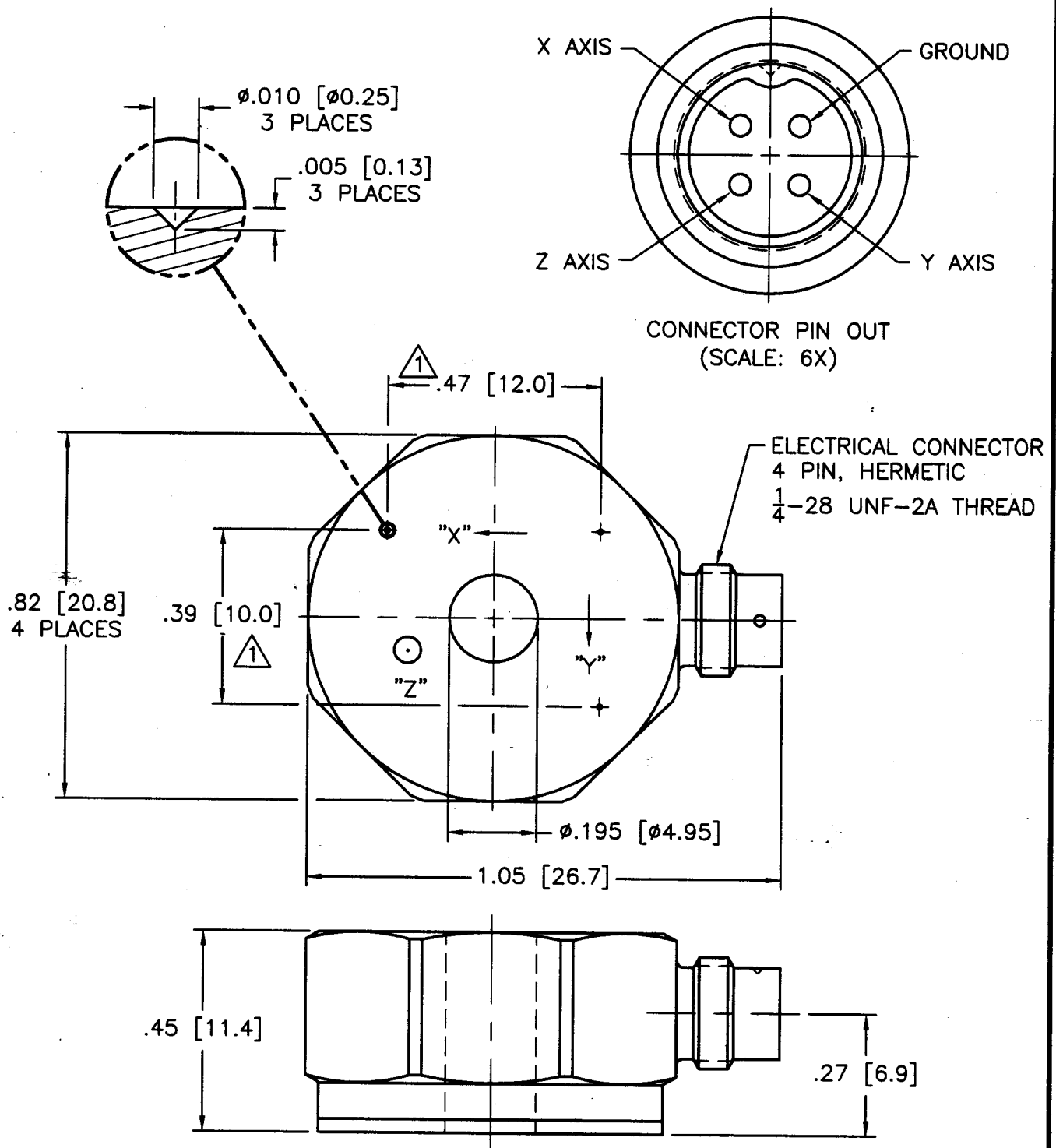


11046

PCB Piezotronics Inc. claims proprietary rights in the information disclosed hereon. Neither it nor any reproduction thereof will be disclosed to others without written consent of PCB Piezotronics Inc.

APPLICATION		
NEXT ASS'Y	USED ON	VAR

REVISIONS				
REV	DESCRIPTION	ECN	DATE	APP'D
A	ADDED POINTS FOR "T" OPTION	17687	6/5/03	<i>SYM/03</i>



$\triangle 1$ TEDS OPTION ONLY

UNLESS SPECIFIED TOLERANCES		DRAWN					MFG		DATE		PCB PIEZOTRONICS	
DIMENSIONS IN INCHES	DIMENSIONS IN MILLIMETERS [IN BRACKETS]	<i>SYM</i>	<i>6/11/03</i>	<i>DF</i>	<i>6-12-03</i>	3425 WALDEN AVE. DEPEW, NY 14043		(716) 684-0001		EMAIL: SALES@PCB.COM		
DECIMALS XX ± 0.1	DECIMALS X ± 0.3	CHK'D	<i>SYM</i>	ENGR	<i>DF</i>	<i>6/11/03</i>	SALES		<i>CSA</i>	<i>6/11/03</i>	CODE IDENT. NO. 52681	DWG. NO. 11046
XXX ± 0.005	XX ± 0.13	APP'D	<i>SYM</i>	SALES	<i>CSA</i>	TITLE		OUTLINE DRAWING		SCALE: 3X		
ANGLES ± 2 DEGREES	ANGLES ± 2 DEGREES	MODEL 354C02 & 354C03		RING ACCELEROMETER		SHEET 1 OF 1						
FILLET AND RADII .003 - .005	FILLET AND RADII [0.07 - 0.13]	DD011 REV. C 01/21/03										