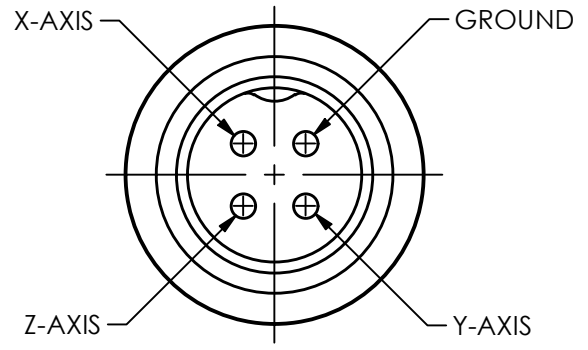
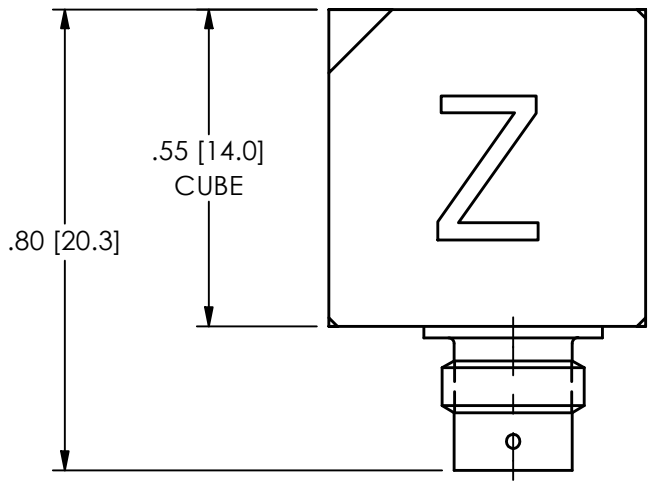


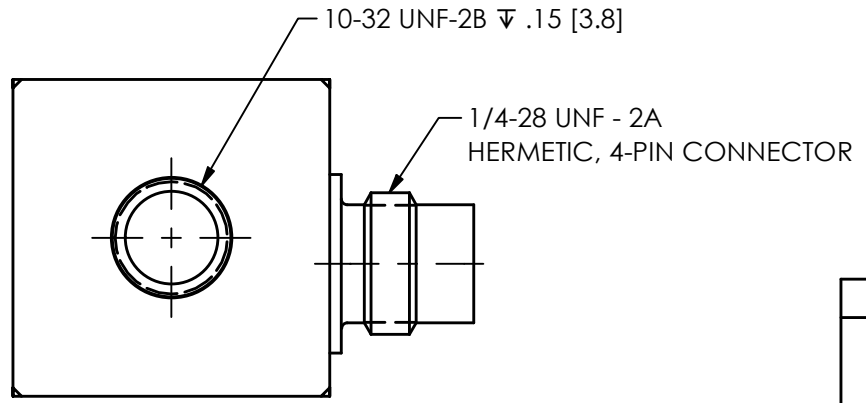
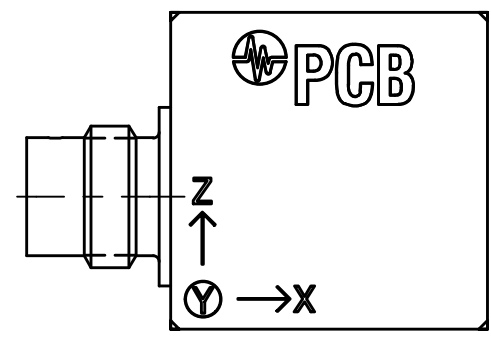
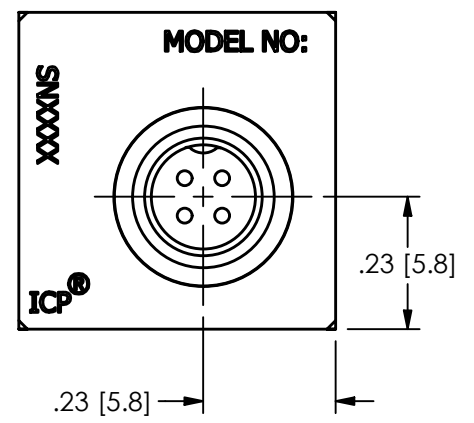
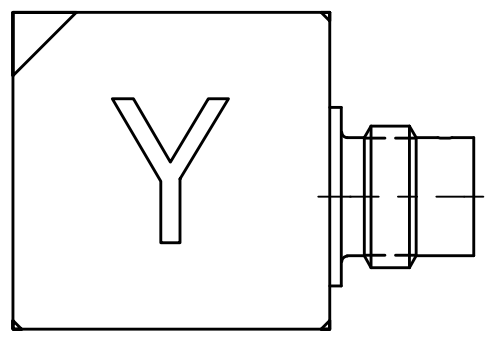
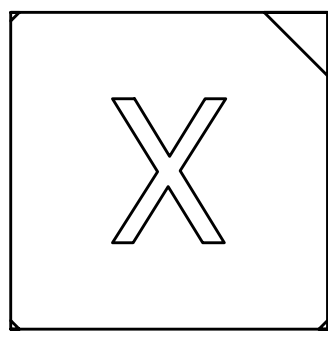
PCB Piezotronics Inc. claims proprietary rights in the information disclosed hereon. Neither it nor any reproduction thereof will be disclosed to others without the written consent of PCB Piezotronics Inc.

10324

REVISIONS		
REV	DESCRIPTION	DIN
E	REMOVED TEDS OPTION	55202



CONNECTOR PIN DESIGNATION
SCALE 5X



UNLESS OTHERWISE SPECIFIED TOLERANCES ARE:	
DIMENSIONS IN INCHES	DIMENSIONS IN MILLIMETERS [IN BRACKETS]
DECIMALS XX $\pm .03$ XXX $\pm .010$	DECIMALS X ± 0.8 XX ± 0.25
ANGLES ± 2 DEGREES	ANGLES ± 2 DEGREES
CABLE TOLERANCES IN ENGLISH	CABLE TOLERANCES IN METRIC
1' \leq LENGTH < 1' = $+1' / - 0$	2.54cm \leq LENGTH < 30.5cm = $+2.54cm / - 0$
1' \leq LENGTH < 5' = $+2' / - 0$	30.5cm \leq LENGTH < 1.5m = $+5.1cm / - 0$
5' \leq LENGTH < 100' = $+6' / - 0$	1.5m \leq LENGTH < 30.5m = $+15.2cm / - 0$
100' \leq LENGTH = $+1' / - 0$	30.5m \leq LENGTH = $+30.5cm / - 0$
FILLETS AND RADII	FILLETS AND RADII
.003 - .005	0.07 - 0.13

DRAWN	CHECKED		ENGINEER	
	AME	1/22/25	JDM	1/22/25
TITLE				
OUTLINE DRAWING 14mm CUBE 1/4-28 4-PIN CONNECTOR TRIXIAL ACCELEROMETER				

PCB PIEZOTRONICS
AN AMPHENOL COMPANY

3425 WALDEN AVE. DEPEW, NY 14043
(716) 684-0001 E-MAIL: sales@pcb.com

CODE IDENT. NO. 52681	SIZE B	DWG. NO. 10324
SCALE: 3X	SHEET 1 OF 1	