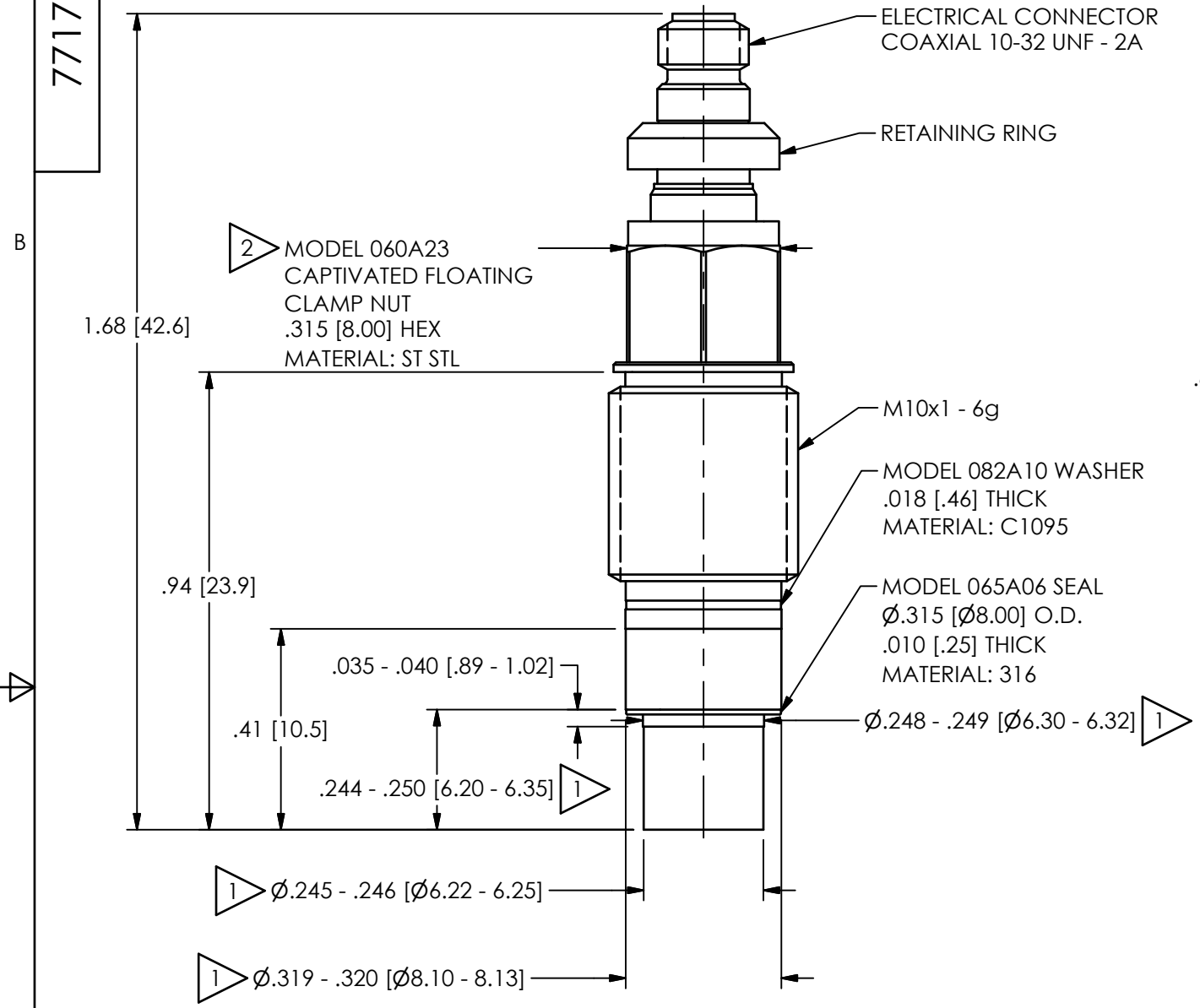


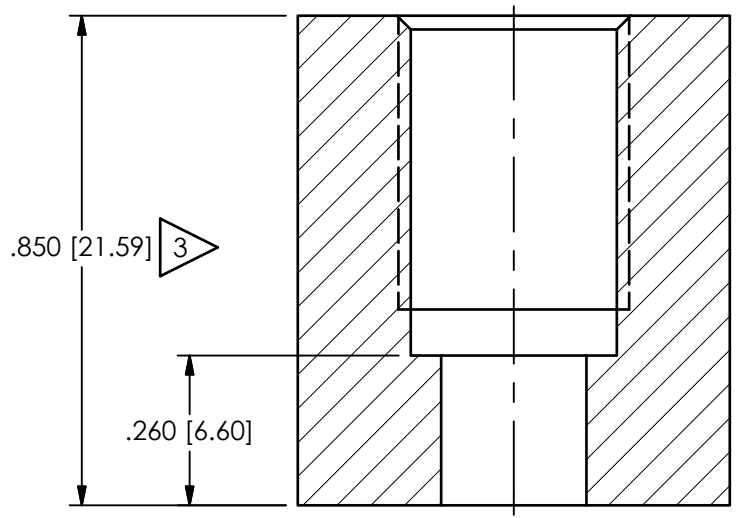
PCB Piezotronics Inc. claims proprietary rights in the information disclosed hereon. Neither it nor any reproduction thereof will be disclosed to others without the written consent of PCB Piezotronics Inc.

77174

REVISIONS		
REV	DESCRIPTION	DIN
NR	RELEASED TO DRAFTING	53262



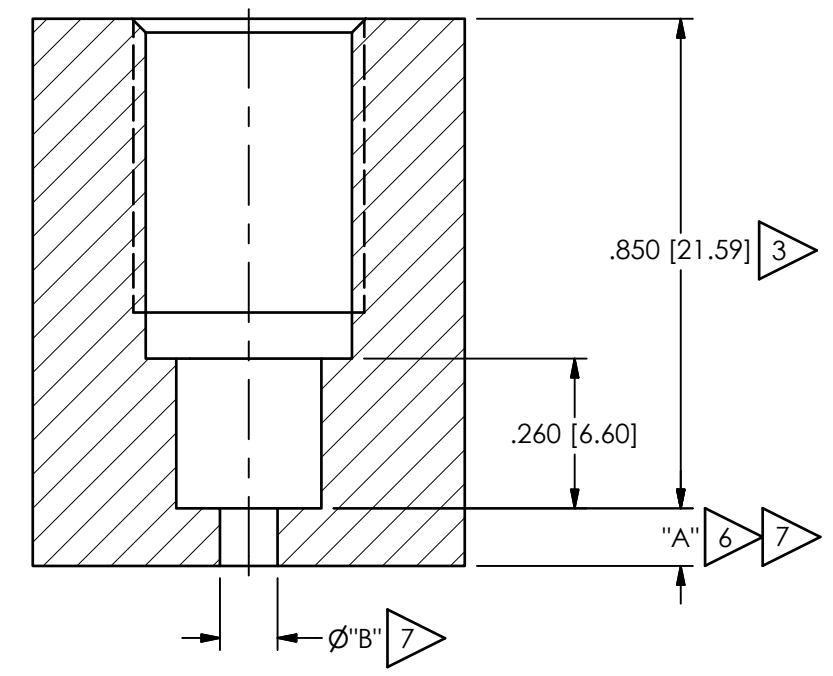
FLUSH INSTALLATION



MOUNTING HOLE DIMENSIONS

- 3 5 Ø.252± .001 [Ø6.40± .03] THRU
- 4 5 LØ.358 [LØ9.10] TO DEPTH SHOWN
- 8 M10x1.0 - 6H ∇.510 [12.95]

RECESSED INSTALLATION



MOUNTING HOLE DIMENSIONS

- 3 5 LØ.252± .001 [LØ6.40± .03] ∇.850 [21.59]
- 4 5 LØ.358 [LØ9.10] TO DEPTH SHOWN
- 8 M10x1.0 - 6H ∇.510 [12.95]

- 8 CAUTION: DO NOT TOUCH SEAL SURFACE WITH TAP WHEN TAPPING HOLE
- 7 DIMENSIONS "A" & "B" TO SUIT USER REQUIREMENTS
- 6 KEEP DIMENSION "A" AS SHORT AS POSSIBLE, SEE OPERATING GUIDE FOR OPTIMUM PASSAGE LENGTH
- 5 THESE DIAMETERS TO BE CONCENTRIC TO WITHIN .001 [.03] TIR
- 4 SEAL SURFACE SHOULD BE FLAT & FREE OF TOOL MARKS WITH A MINIMUM FINISH OF 63 [1.6] FOR BEST RESULTS
- 3 DIMENSIONS SHOWN ARE FOR A .850 [21.59] THICK WALL. COUNTERBORE FOR THICKER WALLS
- 2 RECOMMENDED MOUNTING TORQUE ON .315 [8.00] HEX: 27-32 FT-LB [37-43 N-m]
- 1 MATERIAL: C-300 MARAGING STEEL

UNLESS OTHERWISE SPECIFIED TOLERANCES ARE:		DRAWN		CHECKED		ENGINEER			
DIMENSIONS IN INCHES DECIMALS XX ±.01 XXX ±.005 ANGLES ± 2 DEGREES		DIMENSIONS IN MILLIMETERS [IN BRACKETS] DECIMALS X ± 0.3 XX ± 0.13 ANGLES ± 2 DEGREES		NJF	10/24/22	JDM	10/24/22		
CABLE TOLERANCES IN ENGLISH 1"≤ LENGTH < 1' = +1' / - 0 1'≤ LENGTH < 5' = +2' / - 0 5'≤ LENGTH < 100' = +6' / - 0 100'≤ LENGTH = +1' / - 0		CABLE TOLERANCES IN METRIC 2.54cm ≤ LENGTH < 30.5cm = +2.54cm / - 0 30.5cm ≤ LENGTH < 1.5m = +5.1cm / - 0 1.5m ≤ LENGTH < 30.5m = +15.2cm / - 0 30.5m ≤ LENGTH = +30.5cm / - 0		TITLE INSTALLATION DRAWING MODEL M109 SERIES PRESSURE SENSOR				PCB PIEZOTRONICS AN AMPHENOL COMPANY 3425 WALDEN AVE. DEPEW, NY 14043 (716) 684-0001 E-MAIL: sales@pcb.com	
FILLETS AND RADII .003 - .005		FILLETS AND RADII 0.07 - 0.13		CODE IDENT. NO. 52681		DWG. NO. 77174			
				SCALE: 3X		SHEET 1 OF 1			