

PCB Piezotronics Inc. claims proprietary rights in the information disclosed hereon. Neither it nor any reproduction thereof will be disclosed to others without the written consent of PCB Piezotronics Inc.

REVISIONS

REV	DESCRIPTION	ECN	APP'D
A	UPDATE WITH (NOT SUPPLIED)	16798	DM 1/03
B	UPDATE HEX SIZE	26133	DM 3/07

7098

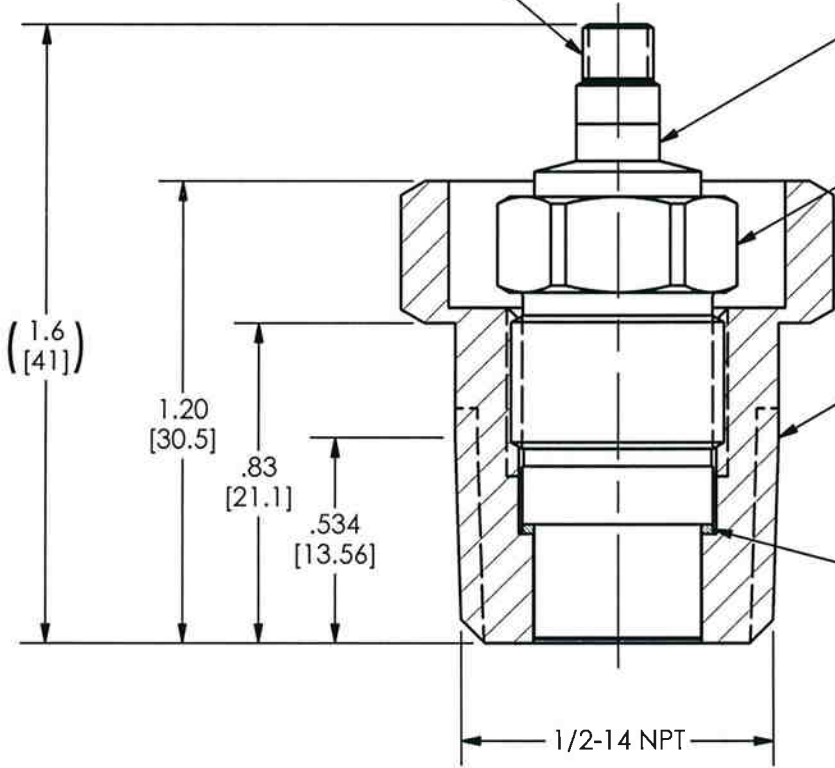
ELECTRICAL CONNECTOR
COAXIAL 10-32 UNF-2A

PRESSURE SENSOR
MODEL 106B
(NOT SUPPLIED)

CLAMP NUT
MODEL 060A12
9/16 HEX
MAT'L: 17-4 (H900)
(NOT SUPPLIED)

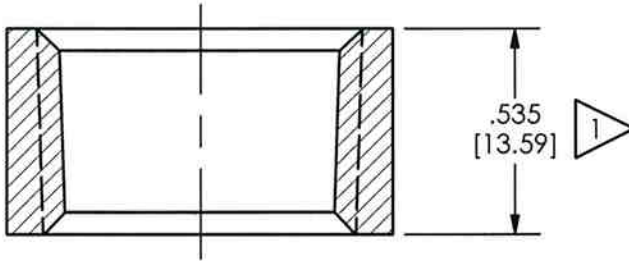
ADAPTOR ³
MODEL 062A06
1.00 HEX
MAT'L: 17-4 (H900)

SEAL
MODEL 065A37
.015 THK
MAT'L: BRASS
(NOT SUPPLIED)



MOUNTING HOLE PREPARATION

Ø.718[18.24]
X .535[13.59] ▽
1/2-14 NPT



- ³ RECOMMENDED MOUNTING TORQUE ON 1.00[25.4] HEX IS: 8-10 FT. LBS.[11-14 Nm]
- 2.) USE PIPE JOINT COMPOUND TO ASSURE PRESSURE TIGHT SEAL.
- ¹ MAXIMUM INSERTION OF ADAPTOR INTO MOUNTING HOLE.

UNLESS OTHERWISE SPECIFIED TOLERANCES ARE:		DRAWN	ECB	3/27/07	MFG	P.R.R	3-28-07	<p>3425 WALDEN AVE. DEPEW, NY 14043 (716) 684-0001 E-MAIL: sales@pcb.com</p>
DIMENSIONS IN INCHES	DIMENSIONS IN MILLIMETERS [IN BRACKETS]	CHK'D	DM	3/28/07	ENGR	NJL	3/29/07	
DECIMALS XX ± .01 XXX ± .005	DECIMALS X ± 0.3 XX ± 0.13	APP'D	RF	3/30/07	SALES	DPC	3/28/07	
ANGLES ± 2 DEGREES	ANGLES ± 2 DEGREES	TITLE						
FILLETS AND RADII .003 - .005	FILLETS AND RADII [0.07 - 0.13]	INSTALLATION DRAWING MODEL 062A06 PIPE THREAD ADAPTOR						CODE IDENT. NO. 52681
		SCALE: 2X						DWG. NO. 7098
		SHEET 1 OF 1						