

PCB Piezotronics Inc. claims proprietary rights in the information disclosed hereon. Neither it nor any reproduction thereof will be disclosed to others without the written consent of PCB Piezotronics Inc.

21948

REVISIONS		
REV	DESCRIPTION	DIN
E	CHANGE .248 TO .244	36542

ELECTRICAL CONNECTOR
COAXIAL 10-32 UNF-2A

RETAINING RING

2 MODEL 060A22
CAPTIVATED FLOATING
CLAMP NUT
.312 [7.93] HEX
MAT'L: ST STL

3/8-24 UNF-2A

MODEL 082A10
SPACER, WASHER
MAT'L: ST STL

MODEL 065A06 SEAL
.318 [8.08] O.D.
X .010 [0.25] THICK
MAT'L: 316 ST STL

1 \varnothing .248 - .249
[6.30 - 6.32]

.035 - .040
[.89 - 1.02]

.244 - .250
[6.20 - 6.35]

\varnothing .245 - .246
[6.22 - 6.25]

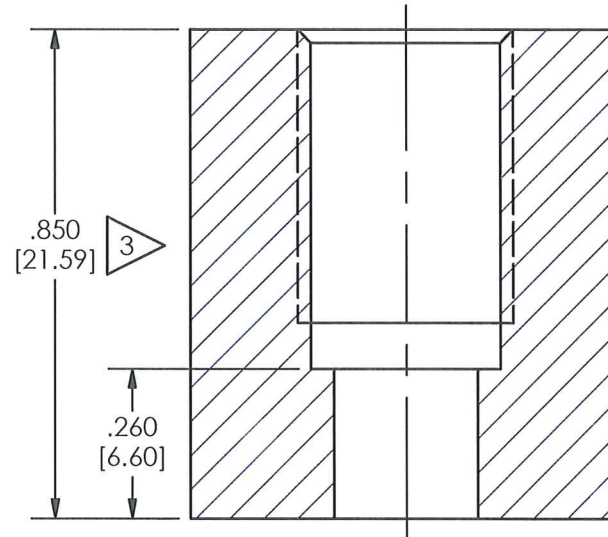
\varnothing .319 - .320
[8.10 - 8.13]

1.69
[42.9]

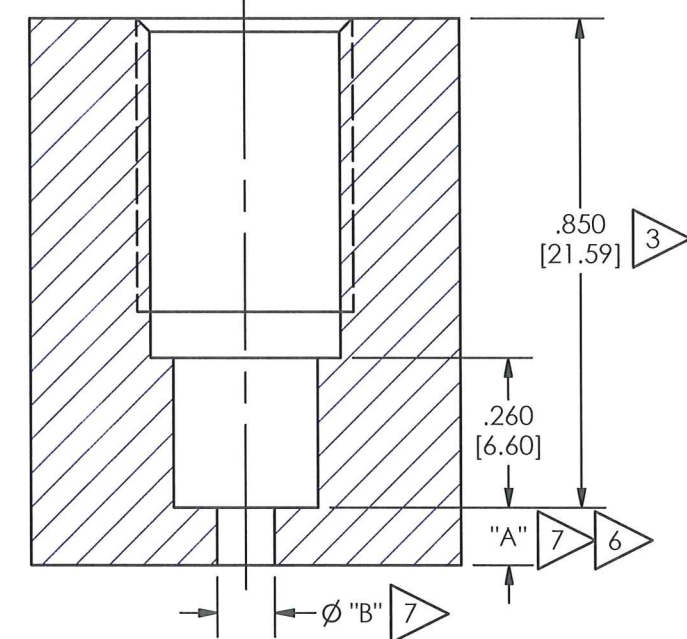
.95
[24.2]

.42
[10.7]

FLUSH INSTALLATION



RECESS INSTALLATION



MOUNTING HOLE DIMENSIONS

- 3 5 \varnothing .252 \pm .001 [6.40 \pm .03] THRU
- 4 5 \varnothing .332 \pm .001 [8.43 \pm .03] ∇ (.590 [14.99])
- 8 3/8-24 UNF-2B ∇ .510 [12.95]

MOUNTING HOLE DIMENSIONS

- 3 5 \varnothing .252 \pm .001 [6.40 \pm .03] ∇ .850 [21.59]
- 4 5 \varnothing .332 \pm .001 [8.43 \pm .03] ∇ (.590 [14.99])
- 8 3/8-24 UNF-2B ∇ .510 [12.95]

- 8 CAUTION: DO NOT TOUCH SEAL SURFACE WITH TAP WHEN TAPPING HOLE.
- 7 DIMENSIONS "A" AND "B" TO SUIT USERS REQUIREMENTS.
- 6 KEEP DIMENSION "A" AS SHORT AS POSSIBLE, SEE OPERATING GUIDE FOR OPTIMUM PASSAGE LENGTH.
- 5 THESE DIAMETERS TO BE CONCENTRIC TO WITHIN .001 [0.03] TIR.
- 4 SEAL SURFACE MUST BE FLAT AND FREE OF TOOLMARKS WITH A MINIMUM 63 [1.6] ∇ FOR BEST RESULTS.
- 3 DIMENSIONS SHOWN ARE FOR A .850 [21.59] THICK WALL. COUNTERBORE FOR THICKER WALLS.
- 2 RECOMMENDED MOUNTING TORQUE ON .312 [7.93] HEX: 27-32 FT-LB [37-43 N-M].
- 1 MATERIAL: C-300 MARAGING STEEL.

UNLESS OTHERWISE SPECIFIED TOLERANCES ARE:		DRAWN	CHECKED	ENGINEER	 3425 WALDEN AVE. DEPEW, NY 14043 (716) 684-0001 E-MAIL: sales@pcb.com
DIMENSIONS IN INCHES	DIMENSIONS IN MILLIMETERS [IN BRACKETS]	mDF 8/15/11	Jam 8/15/11	NJL 8/15/11	
DECIMALS XX \pm .01 XXX \pm .005	DECIMALS X \pm 0.3 XX \pm 0.13	TITLE			CODE IDENT. NO. 52681
ANGLES \pm 2 DEGREES	ANGLES \pm 2 DEGREES	INSTALLATION DRAWING MODEL 109C11 & 109C12 PRESSURE SENSOR			DWG. NO. 21948
FILLETS AND RADII .003 - .005	FILLETS AND RADII 0.07 - 0.13				SCALE: 3X SHEET 1 OF 1