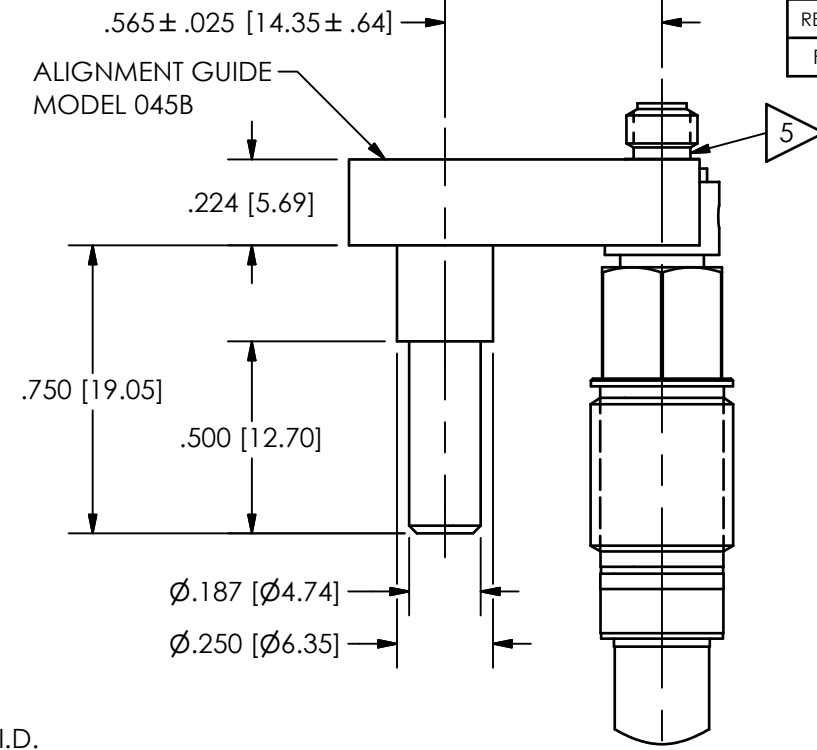
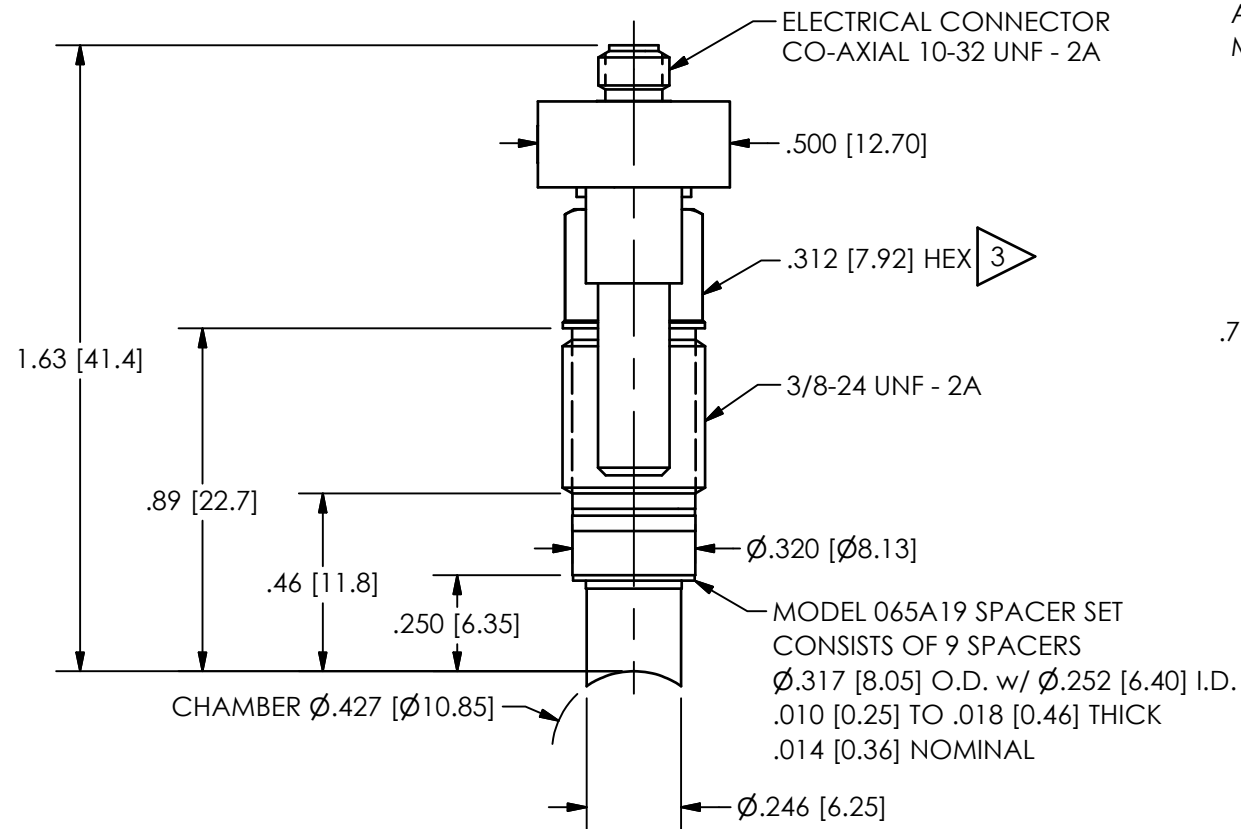


117-2184-90

PCB Piezotronics Inc. claims proprietary rights in the information disclosed hereon. Neither it nor any reproduction thereof will be disclosed to others without the written consent of PCB Piezotronics Inc.

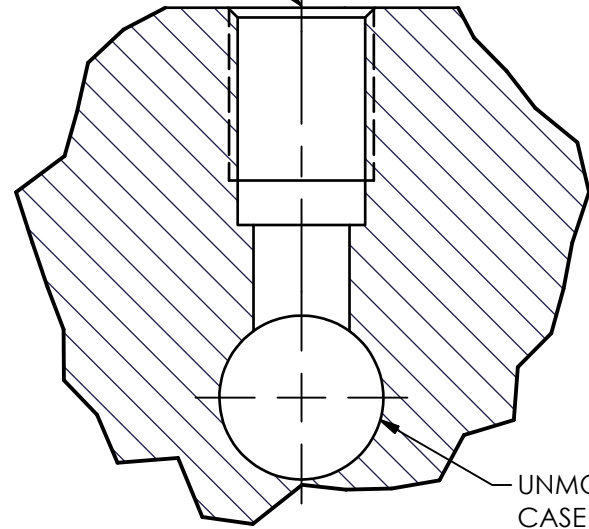
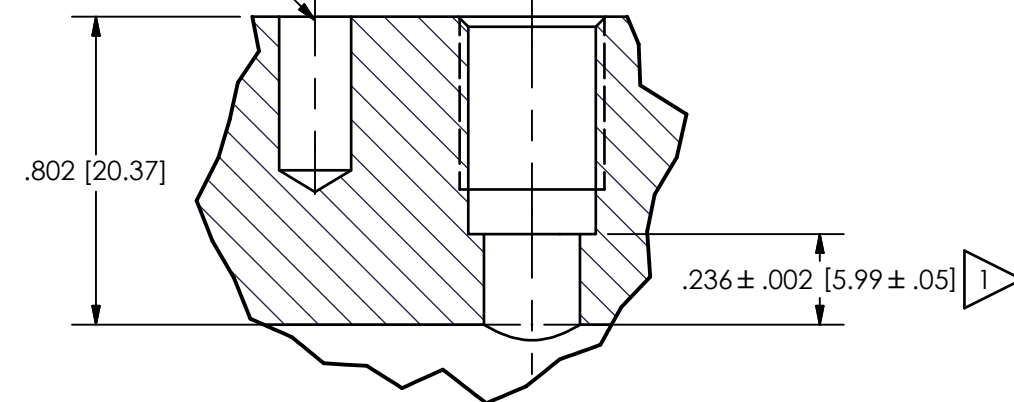
| REVISIONS |                     |       |
|-----------|---------------------|-------|
| REV       | DESCRIPTION         | DIN   |
| F         | UPDATED 065A19 NOTE | 50698 |



2  $\phi$ .2500 ± .0005 [6.350 ± .013] THRU ONE WALL  
 $\perp$   $\phi$ .332 [8.43]  $\nabla$ .566 [14.38]  
 3/8-24 UNF-2B  $\nabla$ .450 [11.43]

$\phi$ .177 [4.50]  $\nabla$ .400 [10.16]  
 $\phi$ .1875 ± .0005 [4.763 ± .013]  $\nabla$ .400 [10.16]

4 CENTERLINE OF SENSOR HOLE TO BE PARALLEL WITH ALIGNMENT HOLE TO WITHIN ± 15 MIN



- 5 LOCATE YELLOW DOT TOWARD CASE MOUTH
- 4 ALIGNMENT HOLE MAY BE LOCATED EITHER FORE OR AFT OF SENSOR MOUNTING HOLE
- 3 MOUNTING TORQUE ON .312 [7.92] HEX: 5-10 FT LBS [6.8-13.6 NEWTON METERS]
- 2 CENTERLINE OF  $\phi$ .2500 [6.350] HOLE MUST INTERSECT CENTERLINE OF CHAMBER BORE WITHIN .001 [.23]
- 1 HOLD THIS DIMENSION TO OBTAIN FLUSH MOUNT

| UNLESS OTHERWISE SPECIFIED TOLERANCES ARE: |   | DRAWN  |         | CHECKED                 |         | ENGINEER   |         |
|--|---|--|---------|-------------------------|---------|--|---------|
| DIMENSIONS IN INCHES                       | DIMENSIONS IN MILLIMETERS [IN BRACKETS] | JJF  | 2/10/21 | KSR                     | 2/10/21 | MJK  | 2/10/21 |
| DECIMALS XX ±.01<br>XXX ±.005              | DECIMALS X ±.03<br>XX ±.013             | TITLE  |         |                         |         |  |         |
| ANGLES ± 2 DEGREES                         | ANGLES ± 2 DEGREES                      | INSTALLATION DRAWING<br>MODEL 117B184<br>CONFORMAL BALLISTICS SENSOR |         |                         |         |  |         |
| FILLETS AND RADII<br>.003 - .005           | FILLETS AND RADII<br>0.07 - 0.13        | CODE IDENT. NO.<br>52681   |         | DWG. NO.<br>117-2184-90 |         | 3425 WALDEN AVE. DEPEW, NY 14043<br>(716) 684-0001 E-MAIL: sales@pcb.com |         |
|  |   | SCALE: 2X  |         | SHEET 1 OF 1            |         |  |         |